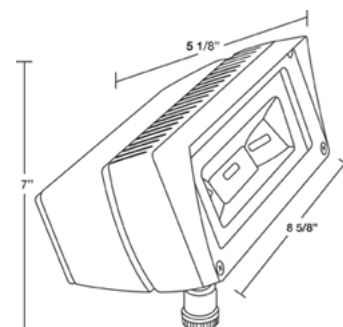


FFLED18YW/PC2

Rectangular shaped LED floodlight designed to replace 70W Metal Halide. Patent Pending airflow technology ensures long LED and driver lifespan. Use for building facade lighting, sign lighting, LED landscape lighting and instant-on security lighting.

Color: White

Weight: 4.8 lbs



LED Info

Watts: 18W
 Color Temp: 3000K (Warm)
 Color Accuracy: 85
 L70 Lifespan: 100000
 LM79 Lumens: 1,075
 Efficacy: 48 LPW

Driver Info

Type: Constant Current
 120V: N/A
 208V: N/A
 240V: N/A
 277V: 0.11 A
 Input Watts: 23W
 Efficiency: 80%

Technical Specifications

Lumen Maintenance:

100,000-hour LED lifespan based on IES LM-80 results and TM-21 calculations.

Photocell:

277V Photocell Included. Photocell is only compatible with 277V.

NEMA Type:

7H x 6V Beam Spread.

Airflow:

Patent pending Airflow technology heat sink for superior cooling.

LEDs:

18 Watt high performance LEDs.

Driver:

Constant Current, Class 2, 100 - 277V, 50 - 60 Hz, 100 - 277VAC 0.4 Amps.

Input Watts:

22.

Fixture Efficacy:

48 Lumens per Watt.

Surge Protection:

6 KV.

Ambient Temperature:

Suitable for use in 40°C ambient temperatures.

Cold Weather Starting:

The minimum starting temperature is -40°F/-40°C.

Thermal Management Housing:

Die-cast aluminum housing, lens frame and mounting arm.

Mounting:

Heavy-duty mounting arm with O ring seal & stainless steel screw.

Color Consistency:

3-step MacAdam Ellipse binning to achieve consistent fixture-to-fixture color.

Color Stability:

LED color temperature is warranted to shift no more than 200K in CCT over a 5 year period.

Color Accuracy:

85 CRI.

Color Temperature (Nominal CCT):

3000K.

Color Uniformity:

RAB's range of CCT (Correlated Color Temperature) follows the guidelines of the American National Standard for (SSL) Products, ANSI C78.377-2008.

Equivalency:

The FFLED18 is Equivalent in delivered lumens to a 70W Metal Halide.

Reflector:

Semi-specular anodized aluminum.

Gaskets:

High-temperature silicone gaskets.

Finish:

Chip and fade resistant polyester .

Green Technology:

Mercury and UV free.



IESNA LM-79 & LM-80 Testing:

RAB LED luminaires have been tested by an independent laboratory in accordance with IESNA LM-79 and LM-80, and have received the Department of Energy Lighting Facts label.

California Title 24:

FFLED18 complies with California Title 24 building and electrical codes.

Warranty:

RAB warrants that our LED products will be free from defects in materials and workmanship for a period of five (5) years from the date of delivery to the end user, including coverage of light output, color stability, driver performance and fixture finish. See our full warranty .

Patents:

The FFLED18 design is protected by Taiwan Patent 01510948 and patents pending in the U.S., Canada, China, and Mexico.

UL Listing:

Suitable For Wet Locations. Suitable for mounting within 1.2M(4FT) of the ground.

Country of Origin:

Designed by RAB in New Jersey and assembled in the USA by RAB's IBEW Local 3 workers.

Buy American Act Compliant:

This product is a COTS item manufactured in the United States, and is compliant with the Buy American Act.

Recovery Act (ARRA) Compliant:

This product complies with the 52.225-21 "Required Use of American Iron, Steel, and Manufactured Goods-- Buy American Act-- Construction Materials (October 2010).

Trade Agreements Act Compliant:

This product is a COTS item manufactured in the United States, and is compliant with the Trade Agreements Act.

GSA Schedule:

Suitable in accordance with FAR Subpart 25.4.