

INSTRUCTIONS

FIELD-ADJUSTABLE FXLED® INSTALLATION

RAB®

RAB Lighting is committed to creating high-quality, affordable, well-designed and energy-efficient LED lighting and controls that make it easy for electricians to install and end users to save energy. We'd love to hear your comments. Please call the Marketing Department at 888-RAB-1000 or email: marketing@rablighting.com



FXLEDS 168/132/97/69W



FXLEDM 346/213W



FXLEDL 534/445W

IMPORTANT

READ CAREFULLY BEFORE INSTALLING FIXTURE. RETAIN THESE INSTRUCTIONS FOR FUTURE REFERENCE.

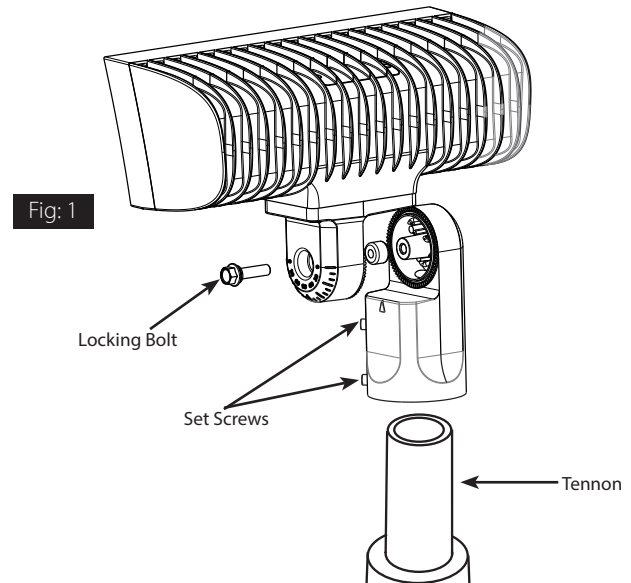
RAB fixtures must be wired in accordance with the National Electrical Code and all applicable local codes. Proper grounding is required for safety. THIS PRODUCT MUST BE INSTALLED IN ACCORDANCE WITH THE APPLICABLE INSTALLATION CODE BY A PERSON FAMILIAR WITH THE CONSTRUCTION AND OPERATION OF THE PRODUCT AND THE HAZARDS INVOLVED.

WARNING: Make certain power is OFF before installing the fixture. No user serviceable parts inside.

SLIPFITTER MOUNTING

WARNING: RISK OF SERIOUS INJURY OR DEATH!
DO NOT MOUNT THE SLIPFITTER TO A TENON OR BRACKET THAT IS MORE THAN 20 DEGREES FROM VERTICAL. MOUNTING ANY ANGLE OTHER THAN 0-20 DEGREES INCREASES THE RISK OF DISENGAGEMENT AND/OR FAILURE OF THE SLIPFITTER. INSTALL THE POLE ON A SECURE BASE OR INSTALL THE BRACKET TO A WALL FIRST. THEN PLACE LUMINAIRE ONTO THE POLE OR BACKET. DO NOT LIFT ASSEMBLED LUMINAIRE OR POLE OR LUMINAIRE & BRACKET. LUMINAIRE OR POLE/BRACKET MAY DISENGAGE.

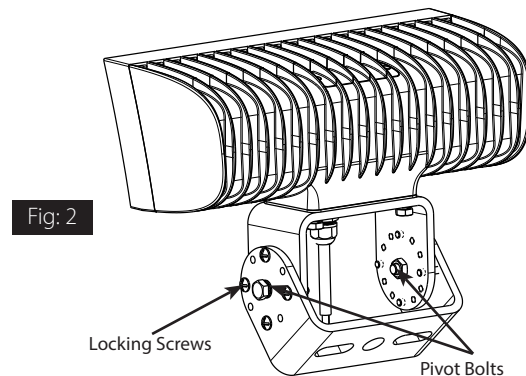
1. The Slipfitter mounting fits a 2 3/8" O.D. Tenon. Place the Slipfitter over the Tenon and secure the Fixture with Set Screws on the side of the Slipfitter (Fig. 1).
2. Loosen the Locking Bolt and swivel Fixture to desired angle.
3. Tighten the Locking Bolt.



TRUNNION MOUNTING

To adjust the angle of the fixture using the Trunnion:

1. Loosen the Pivot Bolts & angle Locking Screws (Fig. 2).
2. Adjust fixture to desired angle.
3. Tighten Pivot Bolts & angle Locking Screws.



INSTRUCTIONS

FIELD-ADJUSTABLE FXLED® INSTALLATION



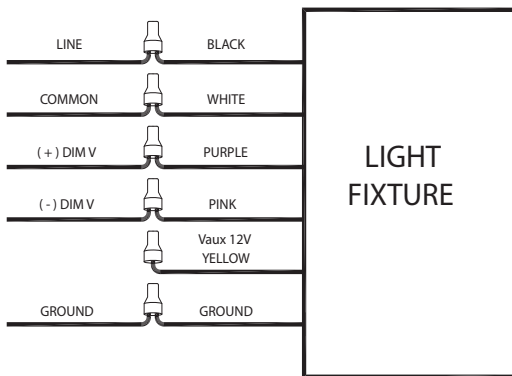
RAB Lighting is committed to creating high-quality, affordable, well-designed and energy-efficient LED lighting and controls that make it easy for electricians to install and end users to save energy. We'd love to hear your comments. Please call the Marketing Department at 888-RAB-1000 or email: marketing@rablighting.com

0-10V DIMMABLE WIRING

Universal voltage driver permits operation at 120V thru 277V, 50 or 60 Hz. Units ordered with (/480V) suffix are 480V, 60Hz. For 0-10V dimming follow the wiring directions below (Fig. 3).

1. Connect the black fixture lead to the (+) **LINE** supply lead.
2. Connect the white fixture lead to the (-) **COMMON** supply lead.
3. Connect the **GROUND** wire from fixture to supply ground. Do **NOT** connect the **GROUND** of the dimming fixture to the output.
4. Connect the purple fixture lead to the (V+) DIM lead.
5. Connect the pink fixture lead to the (V-) DIM lead.
6. Cap the yellow fixture lead, if present. Do **NOT** connect.

Fig: 3



FIELD ADJUSTMENT

Follow instructions below to change the **Fixture Color Temperature (CCT)** and **Power (W)** from factory settings:

Factory Settings:

FXLEDS 168/132/97/69W	168W	5000K
FXLEDM 346/213W	346W	5000K
FXLEDL 534/445W	534W	5000K

1. Locate **FA Switch Cover** on the back of the **Fixture** as shown below (Fig. 4).
2. Pop up **FA Switch Cover**.
3. Select **Color Temperature (CCT)** and **Power (W)** by sliding the respective switch to the desired value (Fig. 5).
4. Push **FA Switch Cover** back in place to secure.

Fig: 4

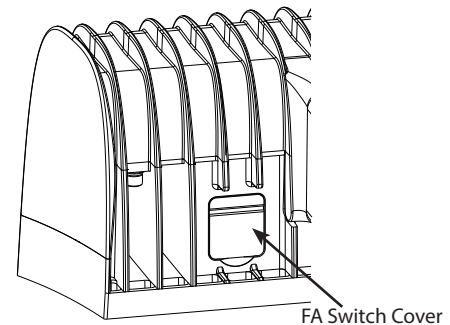
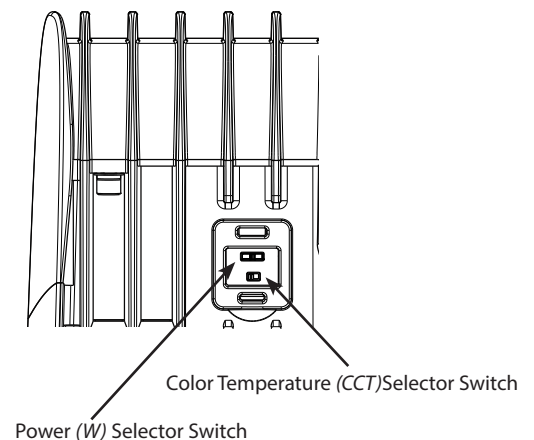


Fig: 5



CLEANING & MAINTENANCE

CAUTION: Be sure fixture temperature is cool enough to touch. Do not clean or maintain while fixture is energized.

1. Clean glass lens with non-abrasive glass cleaning solution.
2. Do not open the fixture to clean the LED. Do not touch the LED.

TROUBLESHOOTING

1. Check that the line voltage at the fixture is correct. Refer to wiring directions.
2. Is the fixture grounded properly?
3. Is the photocell, if used, functioning properly?

Note: These instructions do not cover all details or variations in equipment nor do they provide for every possible situation during installation, operation or maintenance.



© 2022 RAB LIGHTING Inc.

Easy Answers

rablighting.com
Visit our website for product info

Tech Help Line
Call our experts: 888 722-1000

e-mail
Answered promptly - sales@rablighting.com

Free Lighting Layouts
Answered online or by request

FXLEDS-M-L -IN - 0122
P-100100-RAB

RAB WARRANTY: RAB's warranty is subject to all terms and conditions found at rablighting.com/warranty.