



<b>Project:</b>	<b>Type:</b>
<b>Prepared By:</b>	<b>Date:</b>

Driver Info		LED Info	
Type	Constant Current	Watts	65/55/45W
120V	0.60A/0.50A/0.37A	Color Temp	3000K/4000K/5000K
208V	N/A	Color	80-83 CRI
240V	N/A	Accuracy	
277V	0.24A/0.20A/0.17A	L70 Lifespan	100,000 Hours
Input Watts	42.6-67W	Lumens	6,346-9,718 lm
		Efficacy	128.9-166.2 lm/W

## Technical Specifications

### Field Adjustability

#### Field Adjustable:

Field Adjustable Light Output:  
65W/55W/45W (factory default 65W)  
Color temperature selectable 3000K, 4000K and 5000K (factory default 4000K)

### Compliance

#### UL Listed:

Suitable for wet locations

#### IESNA LM-79 & LM-80 Testing:

RAB LED luminaires and LED components have been tested by an independent laboratory in accordance with IESNA LM-79 and LM-80.

#### IP Rating:

Ingress protection rating of IP65 for dust and water

#### DLC Listed:

This product is on the Design Lights Consortium (DLC) Qualified Products List and is eligible for rebates from DLC Member Utilities. Designed to meet DLC 5.1 requirements.  
DLC Product Code: S-MZHRW

### Electrical

#### Driver:

Constant Current, Class 1, 120/277V, 50/60 Hz  
65W: 120V: 0.60A, 277V: 0.24A  
55W: 120V: 0.50A, 277V: 0.20A  
45W: 120V: 0.37A, 277V: 0.17A

#### THD:

65W: 3.6% at 120V, 7.9% at 277V  
55W: 4.2% at 120V, 12.2% at 277V  
45W: 5.1% at 120V, 17.2% at 277V

#### Power Factor:

65W: 99.8% at 120V, 96.4% at 277V  
55W: 99.8% at 120V, 94.8% at 277V  
45W: 99.6% at 120V, 92.8% at 277V

#### Surge Protection:

2kV

### Optical

#### NEMA Type:

NEMA Beam Spread of 7H x 7V

### LED Characteristics

#### LEDs:

Long-life, high-efficacy, surface-mount LEDs

### Color Uniformity:

RAB's range of Correlated Color Temperature follows the guidelines of the American National Standard for Specifications for the Chromaticity of Solid State Lighting (SSL) Products, ANSI C78.377-2017.

### Performance

#### Lifespan:

100,000-Hour LED lifespan based on IES LM-80 results and TM-21 calculations

#### Wattage Equivalency:

65W: Replaces up to 350W Metal Halide (MH) or 200W High Pressure Sodium (HPS)  
55W: Replaces up to 250W Metal Halide (MH) or 200W High Pressure Sodium (HPS)  
45W: Replaces up to 200W Metal Halide (MH) or 150W High Pressure Sodium (HPS)

### Construction

#### Cold Weather Starting:

The minimum starting temperature is -40°C (-40°F)

#### Maximum Ambient Temperature:

Suitable for use in up to 40°C (104°F)

#### Housing:

Die-cast aluminum

## Technical Specifications (continued)

### Mounting:

Knuckle mount

### Lens:

Glass

### Reflector:

Polycarbonate

### Finish:

Formulated for high durability and long-lasting color

### Green Technology:

Mercury and UV free. RoHS-compliant components.

### Other

#### Note:

All values are typical (tolerance +/- 10%)

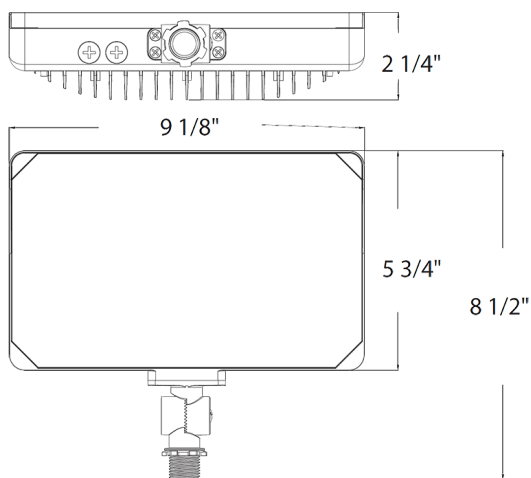
#### 5 Yr Limited Warranty:

The RAB 5-year, limited warranty covers light output, driver performance and paint finish. RAB's warranty is subject to all terms and conditions found at [rablighting.com/warranty](http://rablighting.com/warranty).

#### Buy American Act Compliance:

RAB values USA manufacturing! Upon request, RAB may be able to manufacture this product to be compliant with the Buy American Act (BAA). Please contact customer service to request a quote for the product to be made BAA compliant.

## Dimensions



## Features

- 100,000-Hour LED lifespan
- IP65 Rated
- 5-Year, limited warranty

## Ordering Matrix

Family	Wattages	Mounting	Color Temp	Finish	Driver
X34	M			W	

**XS** = 16/13/10W  
**S** = 35/25/20W  
**M** = 65/55/45W

**Blank** = Knuckle    **Blank** = 3000K/4000K/5000K Adjustable    **Blank** = Bronze  
**W** = White

**Blank** = 120V/277V