



The low-cost floodlight family just upped its game. PIP™ - now up to 45W of affordable LED light.

Color: White

Weight: 4.6 lbs

|                     |              |
|---------------------|--------------|
| <b>Project:</b>     | <b>Type:</b> |
| <b>Prepared By:</b> | <b>Date:</b> |

| Driver Info  |                  | LED Info        |         |
|--------------|------------------|-----------------|---------|
| Type:        | Constant Current | Watts:          | 45W     |
| 120V:        | 0.42A            | Color Temp:     | 4000K   |
| 208V:        | 0.26A            | Color Accuracy: | 75 CRI  |
| 240V:        | 0.22A            | L70 Lifespan:   | 60000   |
| 277V:        | 0.19A            | Lumens:         | 6181    |
| Input Watts: | 49W              | Efficacy:       | 126 LPW |
| Efficiency:  | 91%              |                 |         |

## Technical Specifications

### Listings

#### UL Listing:

Suitable for wet locations. Suitable for ground mounting.

#### DLC Listed:

This product is on the Design Lights Consortium (DLC) Qualified Products List and is eligible for rebates from DLC Member Utilities.

DLC Product Code: P2GF72GQ

#### IESNA LM-79 & LM-80 Testing:

RAB LED luminaires have been tested by an independent laboratory in accordance with IESNA LM-79 and LM-80, and have received the Department of Energy "Lighting Facts" label.

### Electrical

#### Driver:

Constant Current, Class 2, 50/60 Hz, 2kV, 120 - 277VAC 120: 0.42A, 208V: 0.26A, 240V: 0.22A, 277V: 0.19A

#### Dimming Driver:

Driver includes dimming control wiring for 0-10V dimming systems. Requires separate 0-10V DC dimming circuit. Dims as low as 10%.

#### THD:

11.0% at 120V, 15.7% at 277V

#### Power Factor:

99.0% at 120V, 92.6% at 277V

#### Surge Protection:

+/- 1kV line to line (differential mode)/ +/- 2kV line to common mode ground (tested to secondary ground) on AC power port, +/- 0.5 kV for outdoor cables

### LED Characteristics

#### LEDs:

Long-life, high-efficiency surface mounting LEDs

#### Lifespan:

60,000-hour LED lifespan based on IES LM-80 results and TM-21 calculations.

#### Color Uniformity:

RAB's range of CCT (Correlated Color Temperature) follows the guidelines of the American National Standard for Specifications for the Chromaticity of Solid State Lighting (SSL) Products, ANSI C78.377-2015.

#### Optical

#### NEMA Type:

7H x 6V Beam Spread.

#### Construction

#### IP Rating:

Ingress Protection rating of IP66 for dust and water

#### Maximum Ambient Temperature:

Suitable for use in 104° F (40°C) ambient temperatures

#### Cold Weather Starting:

Minimum starting temperature is -40° F (-40° C)

#### Housing:

Precision die-cast aluminum housing and mounting arm

#### Lens:

Frosted acrylic lens with built-in optics

#### Mounting:

Mounting arm with "O" ring seal, seal plug and stainless steel screw.

#### Gaskets:

High temperature silicone gaskets.

#### Green Technology:

Mercury and UV free. RoHS compliant components. Polyester powder coat finish formulated without the use of VOC or toxic heavy metals.

#### Finish:

Formulated for high-durability and long lasting color.

#### Other

#### Photocell:

120-277V Button Photocell Included. Photocell is compatible with 120V-277V.

#### 5 Yr Limited Warranty:

RAB warrants fixture operation and paint finish for a period of 5 years.

#### Country of Origin:

Designed by RAB in New Jersey and assembled in the USA by RAB's IBEW Local 3 workers.

#### Buy American Act Compliant:

This product is a COTS item manufactured in the United States, and is compliant with the Buy American Act.

#### Recovery Act (ARRA) Compliant:

This product complies with the 52.225-21 "Required Use of American Iron, Steel, and Manufactured Goods-- Buy American Act-- Construction Materials (October 2010).

## Technical Specifications (continued)

### Other

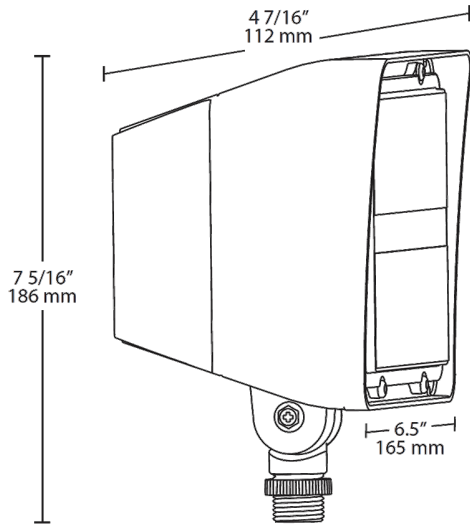
#### Trade Agreements Act Compliant:

This product is a COTS item manufactured in the United States, and is compliant with the Trade Agreements Act.

### GSA Schedule:

Suitable in accordance with FAR Subpart 25.4.

## Dimensions



## Features

- 0-10V Dimming, standard
- Replaces 150W MH
- 60,000-Hour LED lifespan
- 5-Year limited warranty

## Ordering Matrix

| Family | Watts    | Color Temp  | Finish                      | Dimming         | Photocell  |
|--------|----------|---|-----------------------------|-----------------|--|
| PIP    | 45       | N   | W                           | /D10            | /PCU   |
|        | 45 = 45W | Blank = 5000K (Cool)<br>N = 4000K (Neutral)<br>Y = 3000K (Warm) | Blank = Bronze<br>W = White | /D10 = Dimmable | Blank = No Photocell<br>/PCU = 120-277V Button Photocell |