

LFLED5MBR INSTALLATION INSTRUCTIONS



Thank you for buying RAB lighting fixtures. Our goal is to design the best quality products to get the job done right. We'd like to hear your comments. Call the Marketing Department at 888-RAB-1000 or email: marketing@rabweb.com



IMPORTANT

READ CAREFULLY BEFORE INSTALLING FIXTURE. RETAIN THESE INSTRUCTIONS FOR FUTURE REFERENCE.

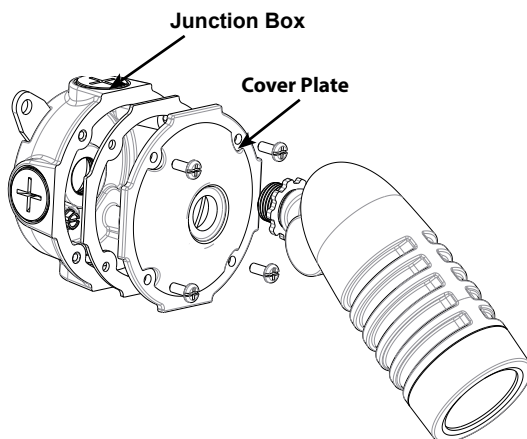
RAB fixtures must be wired in accordance with the National Electrical Code and all applicable local codes. Proper grounding is required for safety. THIS PRODUCT MUST BE INSTALLED IN ACCORDANCE WITH THE APPLICABLE INSTALLATION CODE BY A PERSON FAMILIAR WITH THE CONSTRUCTION AND OPERATION OF THE PRODUCT AND THE HAZARDS INVOLVED.

WARNING: Make certain power is OFF before installing or maintaining fixture. No user serviceable parts inside.

FIXTURE MOUNTING

THE FIXTURE IS MARINE LISTED, OUTSIDE TYPE (SALTWATER). Mount to the supplied weatherproof junction box and cover plate as shown. To ensure weatherproof seal, apply weather proof silicone sealant around the edge of the wall coverplate or surface box. This is especially important with an uneven wall surface

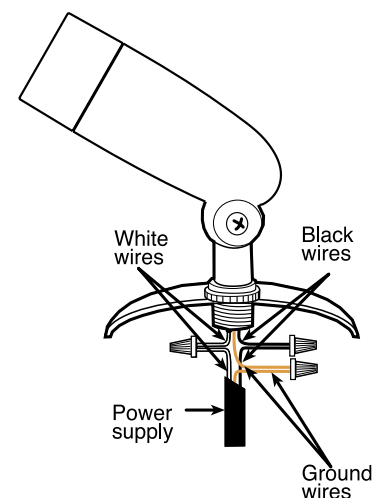
1. Seal arm thread using teflon tape or silicone sealant.
2. Thread fixture into **Cover Plate**.
3. Connect wires as shown in the wiring diagram.
4. Attach cover to **Junction Box**.
5. Aim floodlight in the direction desired and tighten locknut and **Arm Screw**.



WIRING

Universal voltage driver permits operation at 120V thru 240V, 50 or 60 Hz.

1. Connect the GROUND wire from fixture to supply ground.
2. Connect the black fixture lead to the (+) LINE supply lead.
3. Connect the white fixture lead to the (-) COMMON supply lead.



Note: These instructions do not cover all details or variations in equipment nor do they provide for every possible situation during installation, operation or maintenance.

LFLED5MBR INSTALLATION INSTRUCTIONS

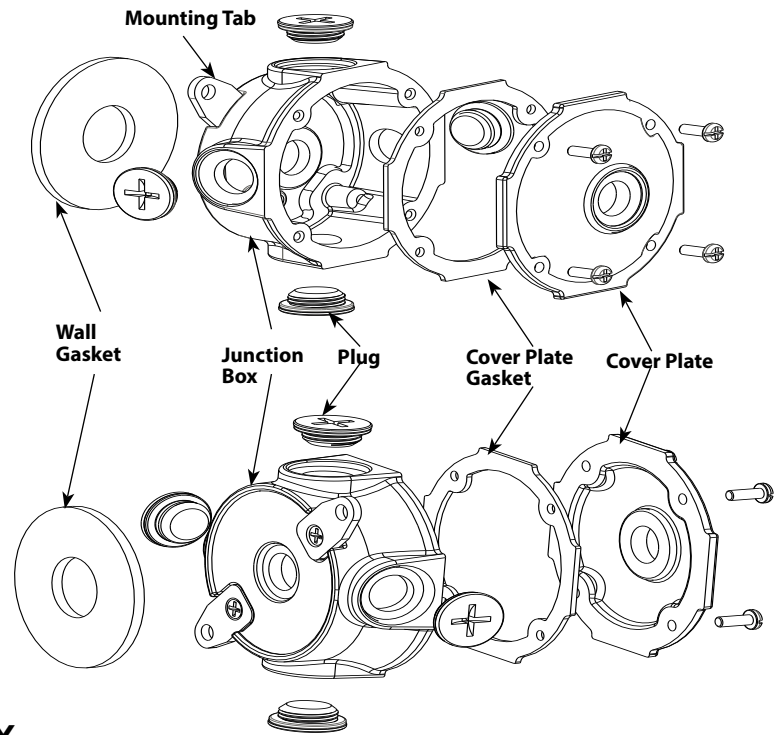


Thank you for buying RAB lighting fixtures. Our goal is to design the best quality products to get the job done right. We'd like to hear your comments. Call the Marketing Department at 888-RAB-1000 or email: marketing@rabweb.com

MOUNTING OF JUNCTION BOX

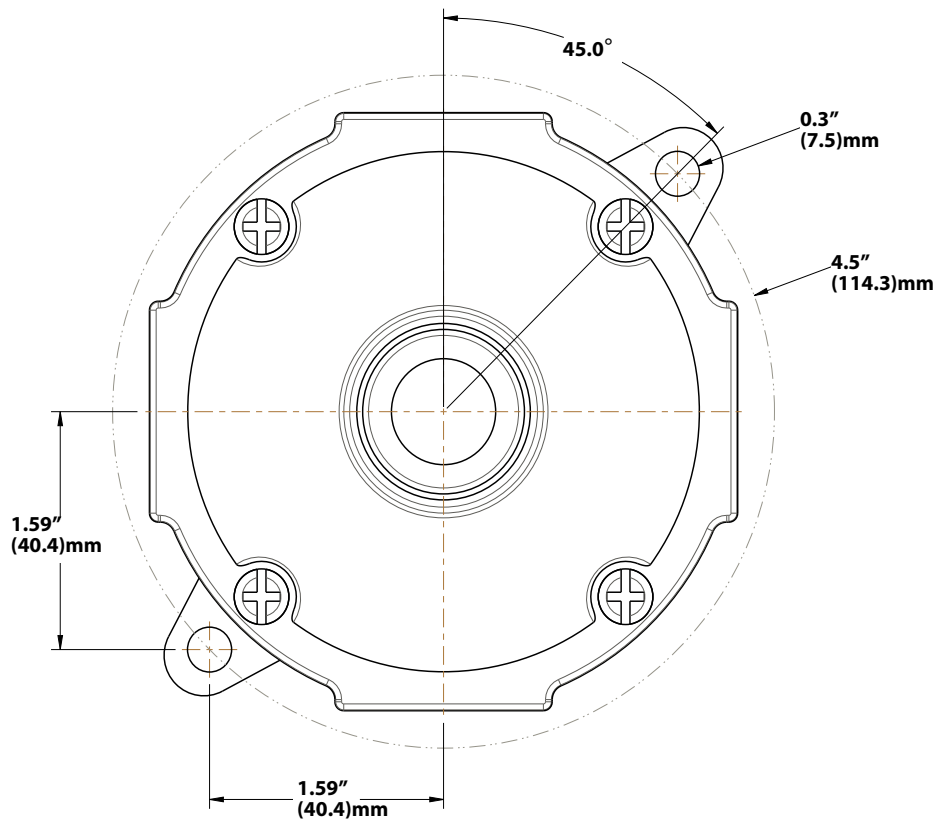
To ensure weatherproof seal, apply weatherproof silicone sealant around the edge of the **Junction Box**. This is especially important with an uneven wall surface.

1. Attach the **Junction Box** through the **Mounting Tabs** to mounting surface with appropriate hardware. Be sure the **Wall Gasket** is in place. Dimensions for drilling are shown on reverse.
2. Attach **Cover Plate** to **Junction Box** with 10-24 1/2" brass screws provided. Be sure the **Cover plate Gasket** is in place.
3. All conduit entries are 1/2" NPS. Close all unused entries with provided **Plugs**. Seal all conduit entry thread using Teflon tape or silicone sealant.



DRILLING TEMPLATE FOR JUNCTION BOX

The template below is not to scale. Use dimensions below.



LFLED5MBR INSTALLATION INSTRUCTIONS

Thank you for buying RAB lighting fixtures. Our goal is to design the best quality products to get the job done right. We'd like to hear your comments. Call the Marketing Department at 888-RAB-1000 or email: marketing@rabweb.com

TROUBLESHOOTING

1. Check that the line voltage at fixture is correct.
2. If there is voltage at the lamp fixture wires? If there is no voltage, check all connections.
3. Is the fixture grounded properly?

CLEANING & MAINTENANCE

CAUTION: Be sure fixture temperature is cool enough to touch. Do not clean or maintain while fixture is energized.

1. Clean glass lens & fixture with non-abrasive glass cleaning solution.
2. Do not open fixture to clean the LED. Do not touch the LED.
3. Keep leaves and debris out of hood.

ACCESSORIES

Brass Spot Reflector Kit: LSLFLEDBR

Brass 4" Round Junction Box with 1/2" NPS: VXJIBR

Mighty Cap 2" for 2 3/8" outer diameter pipe: MMCAP2BR

Mighty Cap 3" for 2 7/8" outer diameter pipe: MMCAP3BR

LFLED5MBR Cool



All results are according to IESNA LM-79-2008: Approved Method for the Electrical and Photometric Testing of Solid-State Lighting. The U.S. Department of Energy (DOE) verifies product test data and results.

Visit www.lightingfacts.com for the Label Reference Guide.

Registration Number: WVMA-G6EADR (2/8/2012)
Model Number: LFLED5
Type: Outdoor path/step/rail light

LFLED5NMBR Neutral



All results are according to IESNA LM-79-2008: Approved Method for the Electrical and Photometric Testing of Solid-State Lighting. The U.S. Department of Energy (DOE) verifies product test data and results.

Visit www.lightingfacts.com for the Label Reference Guide.

Registration Number: WVMA-3ZFCWH (2/8/2012)
Model Number: LFLED5N
Type: Outdoor path/step/rail light

LFLED5YMBR Warm



All results are according to IESNA LM-79-2008: Approved Method for the Electrical and Photometric Testing of Solid-State Lighting. The U.S. Department of Energy (DOE) verifies product test data and results.

Visit www.lightingfacts.com for the Label Reference Guide.

Registration Number: WVMA-L585BC (2/8/2012)
Model Number: LFLED5Y
Type: Outdoor path/step/rail light