



LED Floodlights for solar applications or other 10-30 VDC systems. Perfect for off-grid, remote-area lighting. Up to 85% more efficient than line voltage AC solutions.

Color: White

Weight: 1.5 lbs

Project:

Type:

Prepared By:

Date:

Driver Info

Type: DC to DC
 120V: N/A
 208V: N/A
 240V: N/A
 277V: N/A
 Input Watts: 5W
 Efficiency: 98%

LED Info

Watts: 5W
 Color Temp: 5000K (Cool)
 Color Accuracy: 68 CRI
 L70 Lifespan: 100,000
 Lumens: 299
 Efficacy: 59 LPW

Technical Specifications

Listings

UL Listing:

Suitable for wet locations. Suitable for ground mounting.

IESNA LM-79 & IESNA LM-80 Testing:

RAB LED luminaires have been tested by an independent laboratory in accordance with IESNA LM-79 and 80, and have received the Department of Energy "Lighting Facts" label.

Electrical

Electrical Input Specifications:

Max Watts = 5.1W, Input Volts = 10-30V DC, Input Amps = 0.51 A @ 10V, 0.17A.

Driver:

Constant Current, Class 2, 100-240V, 50-60Hz, 100-240VAC 0.18A.

LED Characteristics

Lifespan:

100,000-hour LED lifespan based on IES LM-80 results and TM-21 calculations.

Color Consistency:

7-step MacAdam Ellipse binning to achieve consistent fixture-to-fixture color.

Color Stability:

LED color temperature is warranted to shift no more than 200K in CCT over a 5 year period.

Color Accuracy:

68 CRI

Color Temperature (Nominal CCT):

5000K

Color Uniformity:

RAB's range of CCT (Correlated Color Temperature) follows the guidelines of the American National Standard for (SSL) Products, ANSI C78.377-2008.

Optical

Spot Lens:

Optional spot lens enables a tool-less conversion to an 18° NEMA 3x3 spot. Great for accent lighting or grazing buildings for an artistic touch.

Lumen Maintenance:

100,000 hours Life Based on LM-80 Tests.

Fixture Efficacy:

59 Lumens per Watt

NEMA Type:

4H x 4V with 44° beam angle.

Construction

Lens:

Microprismatic diffusion lens for smooth and even light distribution.

Cold Weather Starting:

Minimum starting temperature is -40°F/-40°C.

Ambient Temperature:

Suitable for use in 40°C (104°F) ambient temperatures.

Thermal Management:

Superior heat sinking with external air flow fins.

Housing:

Precision die-cast aluminum housing, hood and mounting arm.

Gaskets:

High Temperature Silicone.

Finish:

Our environmentally friendly polyester powder coatings are formulated for high-durability and long-lasting color, and contains no VOC or toxic heavy metals.

Green Technology:

Mercury and UV free, and RoHS compliant.

Other

Warranty:

RAB warrants that our LED products will be free from defects in materials and workmanship for a period of five (5) years from the date of delivery to the end user, including coverage of light output, color stability, driver performance and fixture finish.

Patents:

The design of the LFLED is protected by Taiwan Patent 01510966 and pending patents in US, Canada, China, and Mexico.

Country of Origin:

Designed by RAB in New Jersey and assembled in the USA by RAB's IBEW Local 3 workers.

Buy American Act Compliant:

This product is a COTS item manufactured in the United States, and is compliant with the Buy American Act.

Technical Specifications (continued)

Other

Recovery Act (ARRA) Compliant:

This product complies with the 52.225-21 "Required Use of American Iron, Steel, and Manufactured Goods-- Buy American Act-- Construction Materials (October 2010).

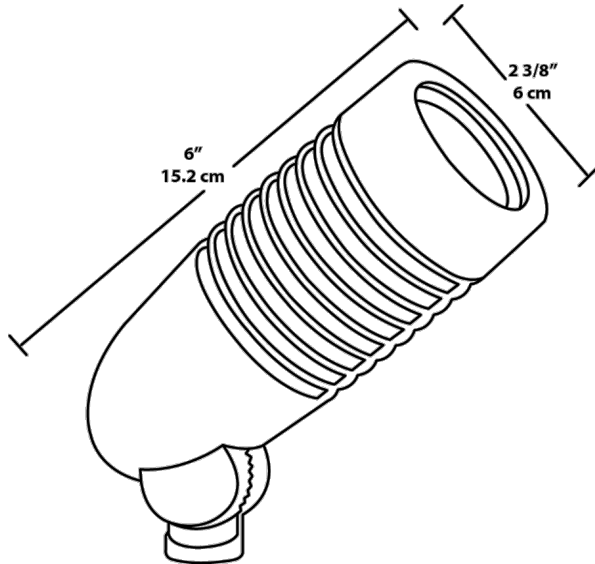
Trade Agreements Act Compliant:

This product is a COTS item manufactured in the United States, and is compliant with the Trade Agreements Act.

GSA Schedule:

Suitable in accordance with FAR Subpart 25.4.

Dimensions



Features

- Low voltage DC
- Ideal for solar applications
- Up to 85% more energy efficient
- No energy-loss from DC-AC inverter
- Enables off-grid, remote-area lighting
- 5-year warranty

Ordering Matrix

Family	Watts	Color Temp	DC	Finish
LFLED	5 = 5W	Blank = Cool Y = Warm N = Neutral	DC = DC	A = Bronze W = White B = Black VG = Verde Green