

product

Compact 4 Watt LED floodlight works with 12V AC lighting systems. Perfectly suited for small-scale landscape lighting applications.

Color: Bronze

Weight: 1.5 lbs

**Project:**

**Type:**

**Prepared By:**

**Date:**

#### Driver Info

Type: Constant Current  
 120V: N/A  
 208V: N/A  
 240V: N/A  
 277V: N/A  
 Input Watts: 4W  
 Efficiency: 93%

#### LED Info

Watts: 4W  
 Color Temp: 4800K (Cool)  
 Color Accuracy: 81 CRI  
 L70 Lifespan: 100,000  
 Lumens: 434  
 Efficacy: 101 LPW

## Technical Specifications

### Listings

#### UL Listing:

Suitable for wet locations. Suitable for ground mounting.

### Electrical

#### Driver:

Class 2, 50/60 Hz, 12VAC Max, 1.5A

#### Voltage:

12V AC

### Optical

#### NEMA Type:

NEMA Beam Spread of 4H x 4V

#### Spot Lens:

Optional spot lens enables a tool-less conversion to a NEMA Type 3H x 3V. Great for accent lighting or grazing buildings for an artistic touch.

#### Narrow Spot Lens:

Optional narrow spot lens enables a tool-less conversion to a NEMA Type 3H x 2V. Great for accent lighting or grazing buildings for an artistic touch.

### Construction

#### Lens:

Microprismatic diffuser produces a smooth distribution and low glare.

#### Cold Weather Starting:

Minimum starting temperature is -40°F/-40°C.

#### Ambient Temperature:

Suitable for use in 40°C (104°F) ambient temperatures.

#### Thermal Management:

Optimized using computational fluid dynamics software to ensure long LED and driver lifespan.

#### Housing:

Precision die-cast aluminum housing, lens frame and mounting arm.

#### Gasket:

High temperature silicone.

#### Finish:

Our environmentally friendly polyester powder coatings are formulated for high-durability and long-lasting color, and contains no VOC or toxic heavy metals.

#### Green Technology:

Mercury and UV free, and RoHS compliant. Polyester powder coat finish formulated without the use of VOC or toxic heavy metals.

### LED Characteristics

#### Lifespan:

100,000-hour LED lifespan based on IES LM-80 results and TM-21 calculations

#### LED:

Multi-chip, high-output, long-life LED

#### Color Consistency:

4-step MacAdam Ellipse binning to achieve consistent fixture-to-fixture color.

#### Color Stability:

LED color temperature is warranted to shift no more than 200K in CCT over a 5 year period.

#### Color Uniformity:

RAB's range of CCT (Correlated Color Temperature) follows the guidelines of the American National Standard for (SSL) Products, ANSI C78.377-2008.

### Other

#### Equivalency:

The LFLED4LV is equivalent in delivered lumens to a 35W MR16.

#### Wiring:

30" SPT1 zip cord included. Transformers provided by others.

#### Warranty:

RAB warrants that our LED products will be free from defects in materials and workmanship for a period of five (5) years from the date of delivery to the end user, including coverage of light output, color stability, driver performance and fixture finish.

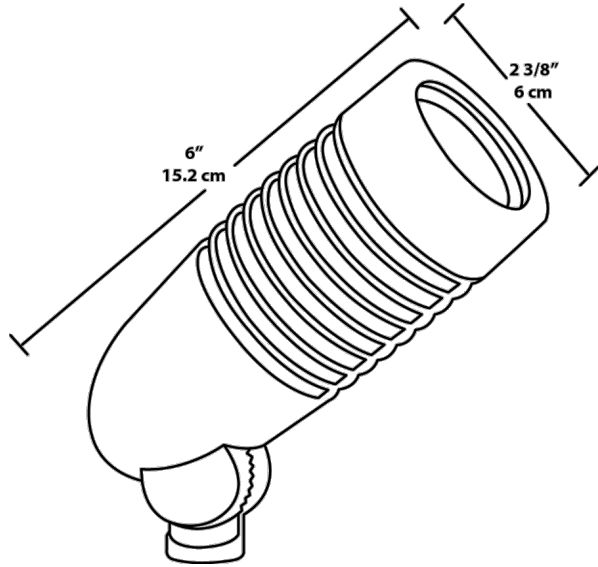
#### California Title 24:

LFLED4LV complies with 2013 California Title 24 building and electrical codes as a commercial outdoor non-pole-mounted fixture < 30 Watts when used with a photosensor control. Select catalog number PCS900(120V) or PCS900/277 to order a photosensor.

#### Patents:

The design of the LFLED is protected by Taiwan Patent 01510966 and pending patents in US, Canada, China, and Mexico.

## Dimensions



## Features

- Works with existing 12V AC landscape lighting systems
- Replaces 35W MR16 halogen
- Reduces energy consumption by 85%
- Optional spot and narrow spot reflector kits available
- 100,000-Hour LED lifespan