

HBLED13NA



Bullet shape die cast aluminum flood with 13 Watt LED Light Engine. Comes with flood reflector installed. Optional spot reflector included for field installation.

Color: Bronze

Weight: 3.5 lbs

Project:

Type:

Prepared By:

Date:

Driver Info

Type:	Constant Current
120V:	0.12A
208V:	0.09A
240V:	0.08A
277V:	0.07A
Input Watts:	14W
Efficiency:	91%

LED Info

Watts:	13W
Color Temp:	4000K
Color Accuracy:	82 CRI
L70 Lifespan:	100000
Lumens:	1,259
Efficacy:	88 LPW

Technical Specifications

Listings

UL Listing:

Suitable for wet locations. Suitable for ground mounting.

IESNA LM-79 & IESNA LM-80 Testing:

RAB LED luminaires have been tested by an independent laboratory in accordance with IESNA LM-79 and 80, and have received the Department of Energy "Lighting Facts" label.

LED Characteristics

Lifespan:

100,000-hour LED lifespan based on IES LM-80 results and TM-21 calculations.

Color Consistency:

3-step MacAdam Ellipse binning to achieve consistent fixture-to-fixture color.

Color Stability:

LED color temperature is warrantied to shift no more than 200K in CCT over a 5 year period.

Color Uniformity:

RAB's range of CCT (Correlated color temperature) follows the guidelines of the American National Standard for Specifications for the Chromaticity of Solid State Lighting (SSL) Products, ANSI C78.377-2015.

Construction

Thermal Management:

Cast aluminum patent pending Thermal Management system for optimal heat sinking. The LFLOOD is designed for cool operation, most efficient output and maximum LED life by minimizing LED junction temperature.

Swivels:

Fully adjustable with sure-grip locks. 1/2" NPS threaded arm with serrated locking swivel fits all standard mounting covers. Color matched EZ Grip lock nuts. Stainless steel screw.

Housing:

Precision die cast aluminum housing.

Gaskets:

High Temperature Silicone.

Finish:

Our environmentally friendly polyester powder coatings are formulated for high-durability and long-lasting color, and contains no VOC or toxic heavy metals.

Green Technology:

RAB LEDs are Mercury and UV free.

Cold Weather Starting:

The minimum starting temperature is -40°C/-40°F

Ambient Temperature:

Suitable for use in 40°C (104°F) ambient temperatures

Electrical

THD:

9.9% at 120V

Power Factor:

99.3% at 120V

Driver:

Multi-chip 13W high output long life LED Driver Constant Current, Class 2 100V - 277V, 50/60 Hz.

Surge Protection:

4KV

Other

Warranty:

RAB warrants that our LED products will be free from defects in materials and workmanship for a period of five (5) years from the date of delivery to the end user, including coverage of light output, color stability, driver performance and fixture finish.

California Title 24:

HBLED13 complies with 2013 California Title 24 building and electrical codes as a commercial outdoor non-pole-mounted fixture < 30 Watts when used with a photosensor control. Select catalog number PCS900(120V) or PCS900/277 to order a photosensor.

Equivalency:

The HBLED13 is Equivalent in delivered lumens to a 100W PAR Halogen.

Patents:

LFLOOD thermal Management technology is protected under utility patents pending in the U.S., Canada and China.

Equivalency:

The HBLED13 is Equivalent in delivered lumens to a 90W PAR Floodlight.

HID Replacement Range:

The HBLED13 can be used to replace 90-100W PAR Floodlights based on delivered lumens.

Country of Origin:

Designed by RAB in New Jersey and assembled in the USA by RAB's IBEW Local 3 workers.

Buy American Act Compliant:

This product is a COTS item manufactured in the United States, and is compliant with the Buy American Act.

Technical Specifications (continued)

Other

Recovery Act (ARRA) Compliant:

This product complies with the 52.225-21 "Required Use of American Iron, Steel, and Manufactured Goods-- Buy American Act-- Construction Materials (October 2010).

Trade Agreements Act Compliant:

This product is a COTS item manufactured in the United States, and is compliant with the Trade Agreements Act.

GSA Schedule:

Suitable in accordance with FAR Subpart 25.4.

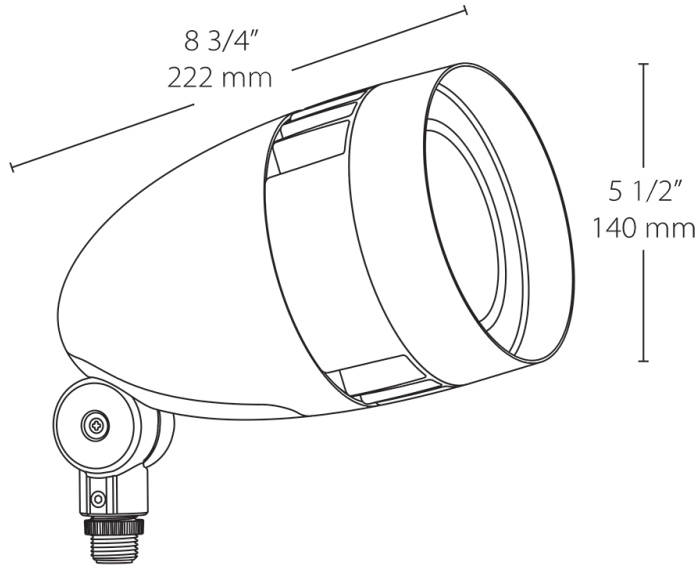
Optical

Lumen Maintenance:

The LED will deliver 70% of its initial lumens at 100,000 hours of operation.

HBLED13NA

Dimensions



Features

- Ultra efficient LED and optical design
- Rugged die cast aluminum housing with powder coat finish
- Glare shield for effective light control
- Weatherproof high temperature silicone gaskets
- 5-year warranty

Ordering Matrix

Family	Watts	Color Temp	Finish
HBLED	13 = 13W	= 5000K (Cool) Y = 3000K (Warm)	A = Bronze W = White B = Black VG = Verde Green