

FXLED® 200W 300W INSTALLATION INSTRUCTIONS

RAB
LIGHTING

Thank you for buying RAB lighting fixtures. Our goal is to design the best quality products to get the job done right. We'd like to hear your comments. Call the Marketing Department at 888-RAB-1000 or email: marketing@rabweb.com



IMPORTANT

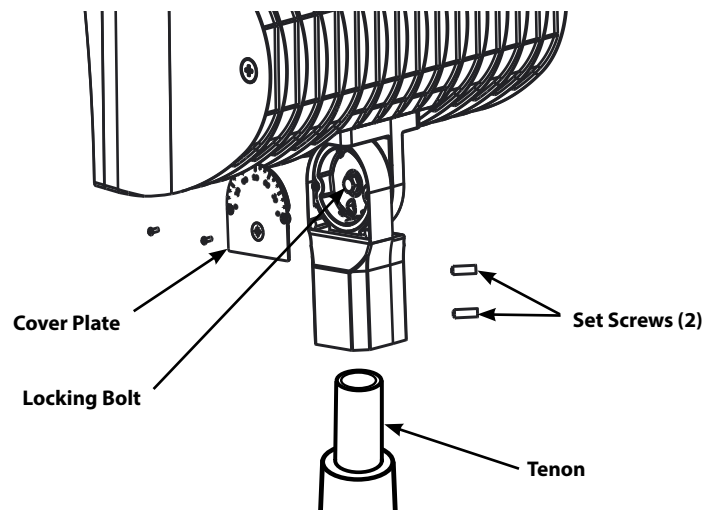
READ CAREFULLY BEFORE INSTALLING FIXTURE. RETAIN THESE INSTRUCTIONS FOR FUTURE REFERENCE.

RAB fixtures must be wired in accordance with the National Electrical Code and all applicable local codes. Proper grounding is required for safety. THIS PRODUCT MUST BE INSTALLED IN ACCORDANCE WITH THE APPLICABLE INSTALLATION CODE BY A PERSON FAMILIAR WITH THE CONSTRUCTION AND OPERATION OF THE PRODUCT AND THE HAZARDS INVOLVED.

WARNING: Make certain power is OFF before installing or maintaining fixture. No user serviceable parts inside.

SLIPFITTER MOUNTING

1. The slipfitter mounting fits a 2 3/8" O.D. **Tenon**. Place the slipfitter over the **Tenon** and secure the fixture with the **Set Screws** (2) on the side of the slipfitter.
2. Remove two screws on side of **Cover Plate**. Remove the **Cover Plate** and adjust the angle of the fixture.
3. Loosen the **Locking Bolt** and swivel fixture to desired angle.
4. Tighten the **Locking Bolt** and re-attach **Cover Plate**.



TROUBLESHOOTING

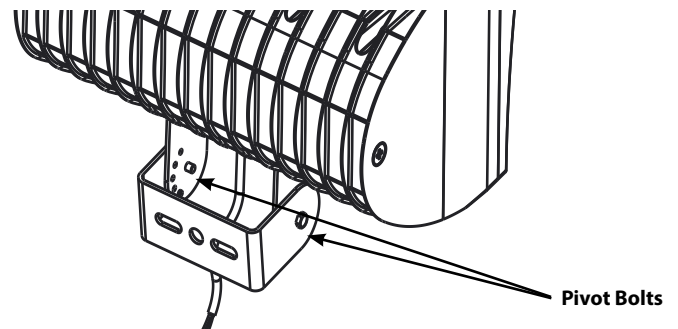
1. Check that the line voltage at the fixture is correct. Refer to wiring directions.
2. Be sure the fixture is grounded properly.
3. Is the photocell, if used, functioning properly?

TRUNNION MOUNTING

CAUTION: UL and C-UL listed or CSA certified liquid tight cord grip suitable for use with STW flexible cord shall be used for connection to a wet location outlet box provided by others.

To adjust the angle of the fixture using the trunnion:

1. Loosen the **Pivot Bolts** & angle locking screw.
2. Adjust fixture to desired angle.
3. Tighten **Pivot Bolts** & angle locking screw.



ACCESSORIES

Chrome Wire Guard:	GDFXLED300W
Poly Shield:	GDFXLED300P
Lens & Door Replacement:	LFFXLED300A (bronze)
	LFFXLED300W (white)

CLEANING & MAINTENANCE

CAUTION: Be sure fixture temperature is cool enough to touch. Do not clean or maintain while fixture is energized.

1. Clean glass lens with non-abrasive glass cleaning solution.
2. Do not open the fixture to clean the LED. Do not touch the LED.

FXLED® 200W 300W INSTALLATION INSTRUCTIONS

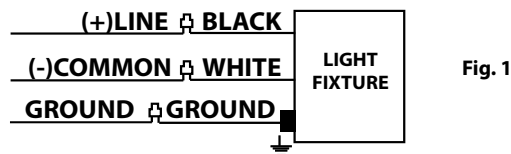


Thank you for buying RAB lighting fixtures. Our goal is to design the best quality products to get the job done right. We'd like to hear your comments. Call the Marketing Department at 888-RAB-1000 or email: marketing@rabweb.com

ON-OFF WIRING

Universal voltage driver permits operation at 120V thru 277V, 50 or 60 Hz. Units ordered with (/480V) suffix are 480V, 50Hz or 60Hz. For Non-Dimming, follow the wiring directions as in fig. 1.

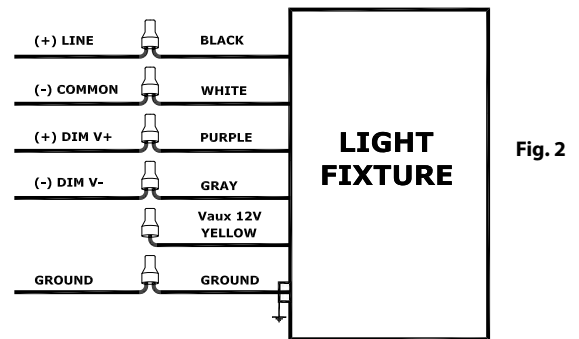
1. Connect the black fixture lead to the (+) LINE supply lead.
2. Connect the white fixture lead to the (-) COMMON supply lead.
3. Connect the GROUND wire from fixture to supply ground.



0-10V DIMMABLE WIRING

Universal voltage driver permits operation at 120V thru 277V, 50 or 60 Hz. For fixtures with Trunnion mounting, a 5-wire cord will be provided. For 0-10V Dimming, follow the wiring directions as in fig. 2.

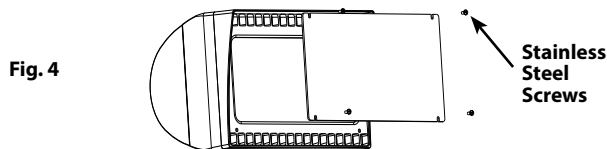
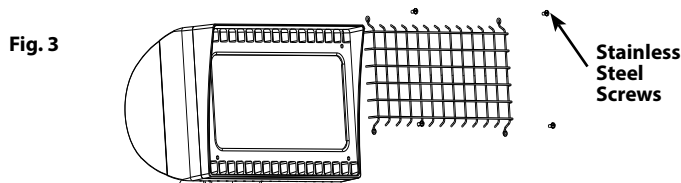
1. Connect the black fixture lead to the (+) LINE supply lead.
2. Connect the white fixture lead to the (-) COMMON supply lead.
3. Connect the GROUND wire from fixture to supply ground. Do NOT connect the GROUND of the dimming fixture to the output.
4. Connect the purple fixture lead to the (V+) DIM lead.
5. Connect the gray fixture lead to the (V-) DIM lead.
6. Cap the yellow fixture lead, if present. Do NOT connect.



GUARD OR SHIELD INSTALLATION

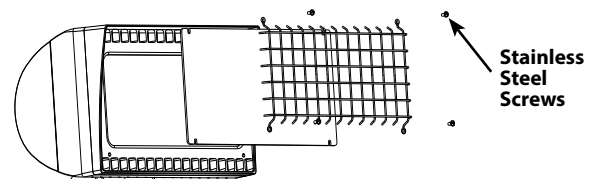
Wire Guard and Poly Shield mount with (4) #10-24 **Stainless Steel Screws**. Screws are provided with the accessory. See fig. 3 for Guard. See fig. 4 for Shield

1. Line up guard or shield with existing pre-drilled holes in frame as shown, tighten screws.



GUARD & SHIELD INSTALLATION

The Wire Guard and Poly Shield can be mounted on the same fixture with (4) #10-24 screws as shown below.



Note: These instructions do not cover all details or variations in equipment nor do they provide for every possible situation during installation, operation or maintenance.

Patent - US: pat. D659,280



Easy Installation & Product Help

Tech Help Line
Call our experts 888 RAB-1000

rabweb.com
Visit our website for product info

email
Answered promptly sales@rabweb.com

FXLED® 200W 300W SLIPFITTER BILEVEL INSTRUCTIONS **RAB** LIGHTING

Thank you for buying RAB lighting fixtures. Our goal is to design the best quality products to get the job done right. We'd like to hear your comments. Call the Marketing Department at 888-RAB-1000 or email: marketing@rabweb.com

IMPORTANT

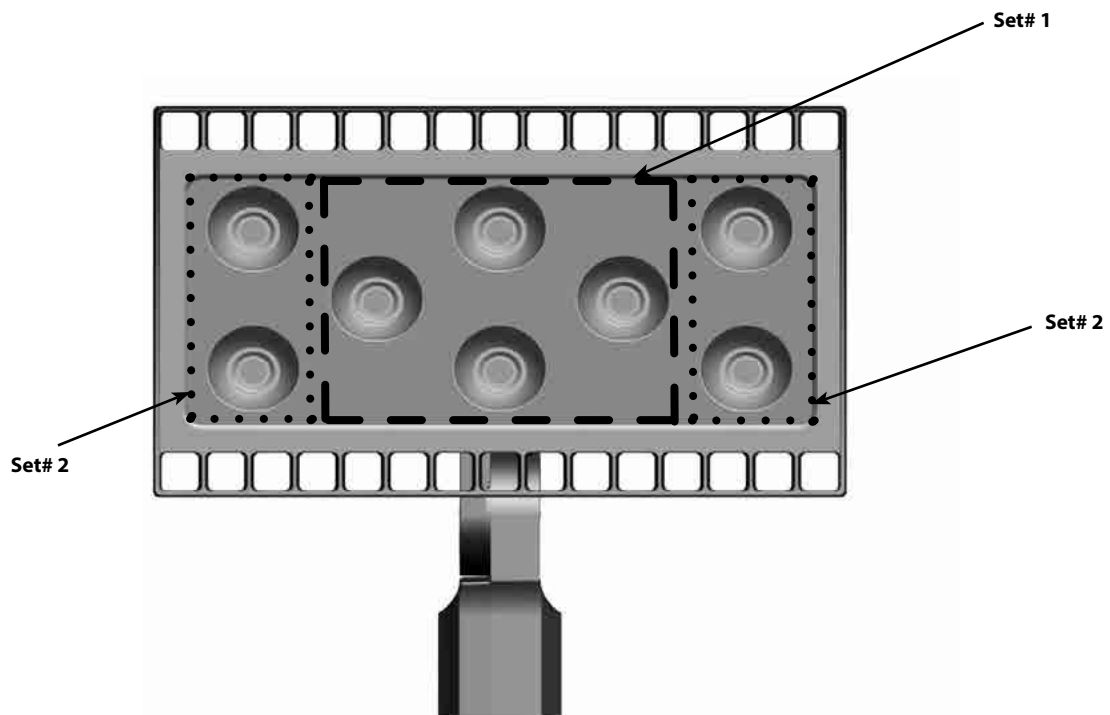
READ CAREFULLY BEFORE INSTALLING FIXTURE. RETAIN THESE INSTRUCTIONS FOR FUTURE REFERENCE.

Fixtures must be wired in accordance with the National Electrical Code and all applicable local codes. Proper grounding is required for safety. THIS PRODUCT MUST BE INSTALLED IN ACCORDANCE WITH THE APPLICABLE INSTALLATION CODE BY A PERSON FAMILIAR WITH THE CONSTRUCTION AND OPERATION OF THE PRODUCT AND THE HAZARDS INVOLVED.

WARNING: Make certain power is OFF before installing or maintaining fixture. No user serviceable parts inside.

WIRING

1. Bi-level fixtures have LED's wired in sets of four LEDs. The sets are shown below.
2. Each set has leads brought through the slipfitter and labeled.
3. Use the set for switching as needed in your application.



Note: These instructions do not cover all details or variations in equipment nor do they provide for every possible situation during installation operation or maintenance.