



Rectangular shaped LED floodlight designed to replace 100W Metal Halide. Patent Pending airflow technology ensures long LED and driver lifespan. Use for building facade lighting, sign lighting, LED landscape lighting and instant-on security lighting.

Color: White

Weight: 14.2 lbs

<b>Project:</b>	<b>Type:</b>
<b>Prepared By:</b>	<b>Date:</b>

Driver Info		LED Info	
Type:	Constant Current	Watts:	26W
120V:	0.24A	Color Temp:	5000K (Cool)
208V:	0.15A	Color Accuracy:	65 CRI
240V:	0.13A	L70 Lifespan:	100,000
277V:	0.11A	Lumens:	2,901
Input Watts:	27W	Efficacy:	107 LPW
Efficiency:	96%		

## Technical Specifications

### Other

#### FFLED26SFSF with Photocell:

277V Swivel Photocell Included. Photocell is compatible with 208V-277V.

#### Threaded Size:

1/2" threaded arm.

#### Equivalency:

The FFLED26SF is equivalent in delivered lumens to a 100W Metal Halide.

#### California Title 24:

FFLED26SF/PCS2 complies with 2013 California Title 24 building and electrical codes as a commercial outdoor non-pole-mounted fixture < 30 Watts

#### Warranty:

RAB warrants that our LED products will be free from defects in materials and workmanship for a period of five (5) years from the date of delivery to the end user, including coverage of light output, color stability, driver performance and fixture finish.

#### Patents:

The FFLED design is protected by U.S. Pat. D643,147, Canada Pat. 140798, China Pat. ZL201130171304.1, Mexico Pat. 36757 and pending patent in Taiwan.

#### Country of Origin:

Designed by RAB in New Jersey and assembled in the USA by RAB's IBEW Local 3 workers.

#### Buy American Act Compliant:

This product is a COTS item manufactured in the United States, and is compliant with the Buy American Act.

#### Recovery Act (ARRA) Compliant:

This product complies with the 52.225-21 "Required Use of American Iron, Steel, and Manufactured Goods-- Buy American Act-- Construction Materials (October 2010).

#### Trade Agreements Act Compliant:

This product is a COTS item manufactured in the United States, and is compliant with the Trade Agreements Act.

#### GSA Schedule:

Suitable in accordance with FAR Subpart 25.4.

#### Listings

##### UL Listing:

Suitable For Wet Locations. Suitable for mounting within 1.2M(4FT) of the ground.

##### IESNA LM-79 & LM-80 Testing:

RAB LED luminaires have been tested by an independent laboratory in accordance with IESNA LM-79 and LM-80, and have received the Department of Energy "Lighting Facts" label.

##### DLC Listed:

This product is on the Design Lights Consortium (DLC) Qualified Products List and is eligible for rebates from DLC Member Utilities.

#### LED Characteristics

##### Lifespan:

100,000-hour LED lifespan based on IES LM-80 results and TM-21 calculations.

##### LEDs:

Multi-chip 26W high output long life LED

##### Color Consistency:

7-step MacAdam Ellipse binning to achieve consistent fixture-to-fixture color.

##### Color Stability:

LED color temperature is warranted to shift no more than 200K in CCT over a 5 year period.

#### Color Uniformity:

RAB's range of CCT (Correlated Color Temperature) follows the guidelines of the American National Standard for (SSL) Products, ANSI C78.377-2008.

#### Construction

##### IP Rating:

Ingress Protection rating of IP65 for dust and water.

##### Ambient Temperature:

Suitable for use in 40°C ambient temperatures.

##### Cold Weather Starting:

The minimum starting temperature is -40°F/-40°C.

##### Thermal Management Housing:

Superior heat sinking with external Air-Flow fins.

##### Housing:

Die-cast aluminum housing, lens frame and mounting arm.

##### Mounting:

Heavy-duty Slip Fitter for 2 3/8" OD pipe.

##### Effective Projected Area:

EPA = 0.75

## Technical Specifications (continued)

### Construction

#### Reflector:

Specular polycarbonate

#### Gaskets:

High-temperature silicone gaskets.

#### Finish:

Our environmentally friendly polyester powder coatings are formulated for high-durability and long-lasting color, and contains no VOC or toxic heavy metals.

### Green Technology:

Mercury and UV free.

### Optical

#### NEMA Type:

NEMA Beam Spread of 7H x 6V

### Electrical

#### Driver:

Constant Current, Class 2, 100-277V, 50/60 Hz, 6 kV surge protection, 120V: 0.24A, 208V: 0.15A, 240V: 0.13A, 277V: 0.11A.

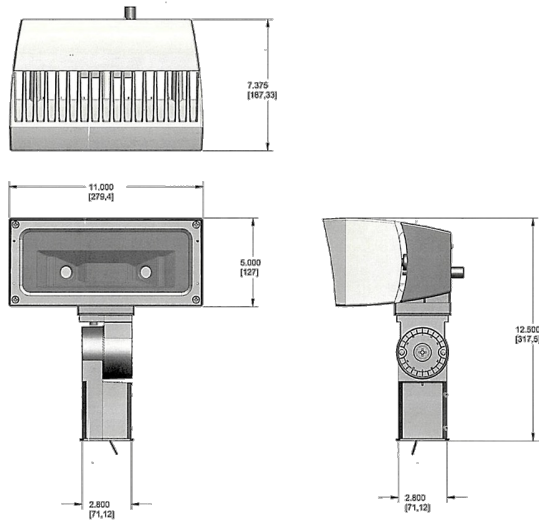
### Power Factor:

99.4% at 120V, 89.1% at 277V

### THD:

7.8% at 120V, 11.3% at 277V

## Dimensions



## Features

- Ultra efficient LED and optical design
- Replaces 100W MH floodlights
- 100,000 hour life based on LM-80 tests
- Air-flow technology heatsink
- 5-year warranty

## Ordering Matrix

Family	Watts	Mount	Color Temp	Beam Spread	Finish	Dimming	Voltage	Photocell
FFLED	26 = 26W	Blank = Arm T = Trunnion SF = Slipfitter	Blank = Cool Y = Warm N = Neutral	Blank = 7H x 6V B44 = 4H x 4V B55 = 5H x 5V	Blank = Bronze W = White	Blank = No Dimming /D10 = Dimmable	Blank = 120-277V /480 = 480 Volt	Blank = No Photocell /PC = 120V Button /PC2 = 240V Button /PCS = 120V Swivel /PCS2 = 240V Swivel