



LED Floodlights for solar applications or other 10-30 VDC systems. Perfect for off-grid, remote-area lighting. Up to 85% more efficient than line voltage AC solutions.

Color: White

Weight: 4.8 lbs

Project:	Type:
Prepared By:	Date:

Driver Info		LED Info	
Type:	DC to DC	Watts:	18W
120V:	N/A	Color Temp:	5000K (Cool)
208V:	N/A	Color Accuracy:	69 CRI
240V:	N/A	L70 Lifespan:	100,000
277V:	N/A	Lumens:	1,681
Input Watts:	24W	Efficacy:	70 LPW
Efficiency:	75%		

Technical Specifications

Optical

Lumen Maintenance:

100,000-hour LED lifespan based on IES LM-80 results and TM-21 calculations.

NEMA Type:

NEMA Beam Spread of 7H x 6V

LED Characteristics

LEDs:

Multi-chip 18 watt, high-output, long-life LEDs.

Color Consistency:

7-step MacAdam Ellipse binning to achieve consistent fixture-to-fixture color.

Color Stability:

LED color temperature is warranted to shift no more than 200K in CCT over a 5 year period.

Color Uniformity:

RAB's range of CCT (Correlated Color Temperature) follows the guidelines of the American National Standard for Specifications for the Chromaticity of Solid State Lighting (SSL) Products, ANSI C78.377-2008.

Electrical

Electrical Input Specifications:

Max Watts = 24W. Input Volts = 10-30 VDC. Operating Amps = 3.0 - 1.0A.

Input Watts:

24W.

Construction

Cold Weather Starting:

The minimum starting temperature is -30°C (-22° F).

Thermal Management:

Die-cast aluminum Thermal Management system for optimal heat dissipation.

Housing:

Die-cast aluminum housing, hood and mounting arm.

Mounting:

Heavy-duty arm with "O" ring seal and stainless steel screws.

Reflector:

Specular aluminum. .

Gaskets:

High-temperature silicone gaskets.

Finish:

Our environmentally friendly polyester powder coatings are formulated for high-durability and long-lasting color, and contains no VOC or toxic heavy metals.

Green Technology:

Mercury and UV Free, and RoHS compliant.

Listings

IESNA LM-79 & LM-80 Testing:

RAB LED luminaires have been tested by an independent laboratory in accordance with IESNA LM-79 and LM-80, and have received the Department of Energy "Lighting Facts" label.

Other

California Title 24:

LFLOOD complies with California Title 24 building and electrical codes.

Patents:

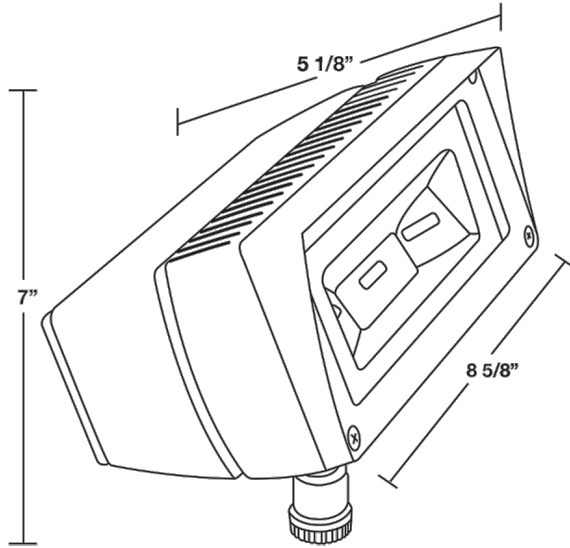
The design of the LFLOOD is protected by US patents pending in US., Canada, China, Taiwan & Mexico.

Warranty:

RAB warrants that our LED products will be free from defects in materials and workmanship for a period of five (5) years from the date of delivery to the end user, including coverage of light output, color stability, driver performance and fixture finish.

FFLED18DCW

Dimensions



Features

- Low voltage DC
- Ideal for solar applications
- Up to 85% more energy efficient
- No energy-loss from DC-AC inverter
- Enables off-grid, remote-area lighting
- 5-year warranty

Ordering Matrix

Family	Watts	DC	Finish
FFLED	18 = 18W	DC = DC	Blank = Bronze W = White