



White light in a compact package. Compact Fluorescent 42 Watt with quad tap electronic ballast. Operating temperature 0°F. Lamp supplied.

Color: Bronze

Weight: 5.4 lbs

Project:

Type:

Prepared By:

Date:

Lamp Info

Type: 42W Triple
Watts: 42W
Shape/Size: N/A
Base: N/A
ANSI: N/A
Hours: 12,000
Lamp Lumens: 3,200
Efficacy: 70 LPW

Ballast Info

Type: Elec HPF QT
120V: 0.38A
208V: 0.3A
240V: 0.2A
277V: 0.17A
Input Watts: 46W
Efficiency: 91%

Technical Specifications

Listings

UL Listing:

Suitable for wet locations. Suitable for ground mounting.

Electrical

Sockets:

Porcelain with all copper current carrying components.

Socket:

Glazed porcelain 4kv pulse rated with nickel plated screw shell and spring contacts.

Quad Tap:

Fixture works with 120, 208, 240 and 277 Volts.

Construction

Housing:

Precision die cast aluminum, 1/2" NPS threaded arm with locking swivel fits all standard mounting boxes.

Reflector:

Anodized semi-specular aluminum.

Lens:

Thermal tempered shock resistant glass.

Lens Gasket:

High temperature tubular silicone set in die cast retaining groove remains in place during relamping.

Finish:

Our environmentally friendly polyester powder coatings are formulated for high-durability and long-lasting color, and contains no VOC or toxic heavy metals.

EPA:

0.43.

Ballast Minimum Starting Temperature:

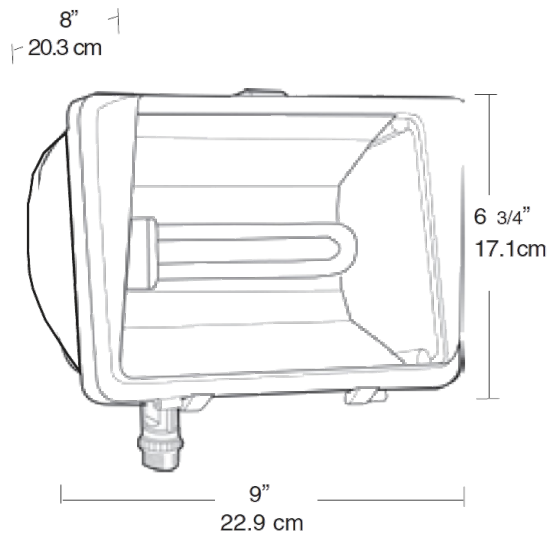
0°F.

Other

Patents:

Pat. D420,458.

Dimensions



Features

- Easy clip for tool-less relamping with Vandal proof screw capability
- Integra hood glare shield for friendly lighting when properly aimed
- Silicone gasket stays in place for durable weatherproofing & easy relamping
- Precision die cast aluminum housing with durable polyester powder coating
- Variable beam spread with 2 position adjustable socket
- Long life lamp included
- Mounting arm with sturdy locking teeth & internal gasket