

# EZLED78SFN/PC



This 78W spotlight combines high lumen output and a concentrated narrow beam distribution to illuminate objects up to 80 feet away with brilliant precision. Ideal for lighting large flags, tall building facades and signage.

Color: Bronze

Weight: 26.6 lbs

**Project:**

**Type:**

**Prepared By:**

**Date:**

### Driver Info

Type: Constant Current  
120V: 0.82A  
208V: N/A  
240V: N/A  
277V: N/A  
Input Watts: 89W  
Efficiency: 88%

### LED Info

Watts: 78W  
Color Temp: 4000K (Neutral)  
Color Accuracy: 82 CRI  
L70 Lifespan: 100,000  
Lumens: 4,630  
Efficacy: 52 LPW

## Technical Specifications

### Other

#### EZLED78 with Photocell:

120V Button Photocell included. Photocell is only compatible with 120V.

#### California Title 24:

EZLED78SF/PC complies with 2013 California Title 24 building and electrical codes as a commercial outdoor pole-mounted fixture > 30 Watts mounted at height greater than 24 feet. For mounting heights < 24 feet see EZLED78SF/BL with bi-level operation; additional component requirements will be listed in the Title 24 section under technical specifications on the product page.

#### Patents:

The design of EZLED is protected by patents in U.S. Pat D679,856, and pending patents in Canada, China, Taiwan and Mexico.

#### Country of Origin:

Designed by RAB in New Jersey and assembled in the USA by RAB's IBEW Local 3 workers.

#### Buy American Act Compliant:

This product is a COTS item manufactured in the United States, and is compliant with the Buy American Act.

#### Recovery Act (ARRA) Compliant:

This product complies with the 52.225-21 "Required Use of American Iron, Steel, and Manufactured Goods-- Buy American Act-- Construction Materials (October 2010).

#### Trade Agreements Act Compliant:

This product is a COTS item manufactured in the United States, and is compliant with the Trade Agreements Act.

#### GSA Schedule:

Suitable in accordance with FAR Subpart 25.4.

### Listings

#### UL Listing:

Suitable for wet locations. Suitable for ground mounting..

#### IESNA LM-79 & LM-80 Testing:

RAB LED luminaires have been tested by an independent laboratory in accordance with IESNA LM-79 and LM-80, and have received the Department of Energy "Lighting Facts" label.

### Construction

#### IP Rating:

Ingress Protection rating of IP66 for dust and water.

#### Effective Projected Area:

EPA = 1.2

#### Cold Weather Starting:

Minimum starting temperature is -40°F/-40°C.

#### Ambient Temperature:

Suitable for use in 40°C (104°F) ambient temperatures.

#### Thermal Management:

Superior thermal management with external Air-Flow fins.

#### Housing:

Precision die-cast aluminum housing and door frame.

#### Mounting:

2 3/8" slipfitter mount with stainless steel hardware.

#### Lens:

Tempered glass.

#### Reflector:

Vacuum-metalized, specular thermoplastic.

#### Gaskets:

High-temperature silicone.

#### Finish:

Our environmentally friendly polyester powder coatings are formulated for high-durability and long-lasting color, and contains no VOC or toxic heavy metals.

#### Green Technology:

Mercury and UV free, and RoHS compliant.

### LED Characteristics

#### LEDs:

Three multi-chip, high-output, long-life LEDs.

#### Lifespan:

100,000-hour LED lifespan based on IES LM-80 results and TM-21 calculations.

#### Color Consistency:

3-step MacAdam Ellipse binning to achieve consistent fixture-to-fixture color.

#### Color Stability:

LED color temperature is warranted to shift no more than 200K in CCT over a 5 year period.

## Technical Specifications (continued)

### LED Characteristics

#### Color Uniformity:

RAB's range of CCT (Correlated Color Temperature) follows the guidelines of the American National Standard for Specifications for the Chromaticity of Solid State Lighting (SSL) Products, ANSI C78.377-2011.

### Electrical

#### Driver:

3x26W drivers Constant current, Class2, 100-277V. 50/60 Hz, 6KV Surge Protection, 720mA, 100-277V 0.4A, Power Factor 99%.

#### THD:

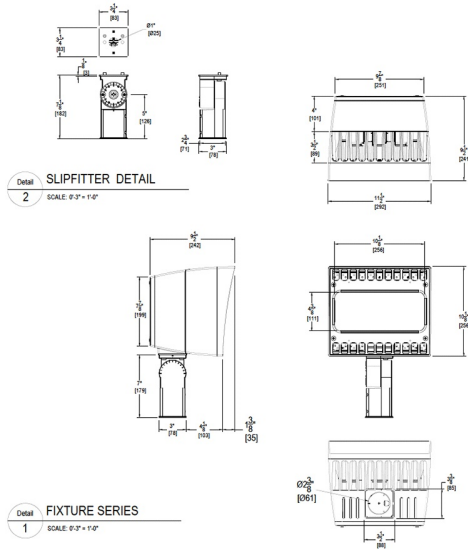
13.5% at 120V

### Optical

#### NEMA Type:

NEMA Beam Spread of 3H x 3V

## Dimensions



## Features

- High powered narrow beam spotlight
- Illuminates objects at a distance of 80 feet
- Available in NEMA type 3H x 3V and 4H x 4V
- Trunnion or slipfitter mounting options available
- Outperforms equivalent MH fixtures

## Ordering Matrix

Family	Watts	Mount	Color Temp	Beam Spread	Finish	Photocell	Bi-Level
EZLED	78 = 78W	SF = Slipfitter	Blank = Cool Y = Warm N = Neutral	Blank = 7H x 6V B44 = 4H x 4V B55 = 5H x 5V	Blank = Bronze W = White	Blank = No Photocell /PC = 120V Button /PCS = 120V Swivel /PC2 = 277V Button /PCS2 = 120V Swivel	Blank = No Bi-Level /BL = Bi-Level