



# FZH250PSQ/PC2



JOB NAME: \_\_\_\_\_  
 DATE: \_\_\_\_\_  
 TYPE: \_\_\_\_\_

## DESCRIPTION

Compact, tough and good looking cast aluminum housing with steel trunnion mount for easy surface mounting and aiming flexibility. Stainless steel screws. Lamp supplied.

## SPECIFICATIONS

### Finish:

Chip and fade resistant polyester powder coating

### Housing:

Precision die cast aluminum

### Lens Gasket:

Molded one-piece silicone in die cast retaining groove to remain in place during relamping

### Lens:

Tempered shock resistant glass

### Reflector:

High quality anodized aluminum

### Socket:

Glazed porcelain 4kv pulse rated with nickel plated screw shell and spring contacts

### UL Listing:

Suitable for wet locations. Suitable for mounting within 4' of the ground.

### Patents:

Pat. D547,477

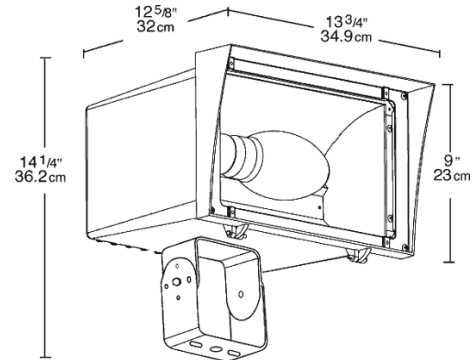
### Color:

Bronze

### Weight:

28.4

## DIMENSIONS



## ORDERING INFORMATION

Metal Halide Lamp supplied with fixture	Total Watts	Lamp Type	Lamp Base	Ballast	Starting Amps/ Operating Amps				Input Watts	LAMP ANSI	Initial Lumens	Lamp Hours
					120V	208V	240V	277V				
	250	ED28	Mogul	CWA-HPF QT	1.4/2.5	0.8/1.5	0.7/1.3	0.6/1.1	288	M138/M25	500	12000

**Factory Installed Options**  
 Add suffix to Catalog Number

Swivel Photocontrol wired for 120V (/PCS)      Button Photocontrol wired for 120V (/PC)  
 Button Photocontrol wired for 480 (/PC4)      480 volt only ballast (/480)  
 Button Photocontrol wired for 208 - 277V (/PC2)

Note: Specifications may change without notice