



JOB NAME: \_\_\_\_\_  
DATE: \_\_\_\_\_  
TYPE: \_\_\_\_\_

**DESCRIPTION**

Compact, tough and good looking cast aluminum housing with steel trunnion mount for easy surface mounting and aiming flexibility. Stainless steel screws. Lamp supplied.

**SPECIFICATIONS**

**Finish:**

Chip and fade resistant polyester powder coating

**Housing:**

Precision die cast aluminum

**Lens Gasket:**

Molded one-piece silicone in die cast retaining groove to remain in place during relamping

Tempered shock resistant glass

**Reflector:**

High quality anodized aluminum

**Socket:**

Glazed porcelain 4kv pulse rated with nickel plated screw shell and spring contacts

**UL Listing:**

Suitable for wet locations. Suitable for mounting within 4' of the ground.

**EPA:**

1.3

**Patents:**

Pat. D547,477

**Pulse Start:**

Pulse Start metal halide for increased lamp life, lumen maintenance, color uniformity and efficiency

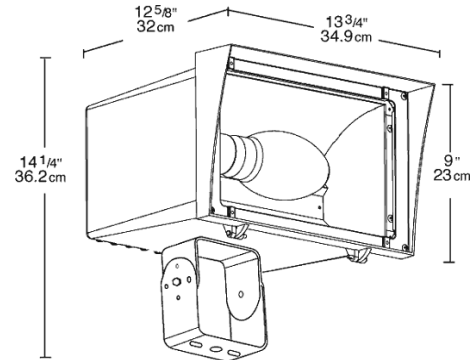
**Color:**

Bronze

**Weight:**

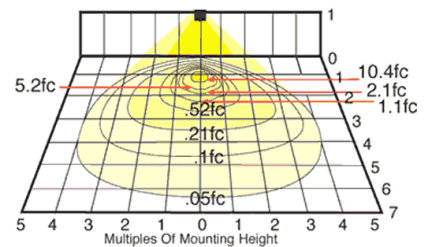
28.4

**DIMENSIONS**



**PHOTOMETRIC**

400w HPS fixture @30' mounting height aimed @45° below horizontal



Mounting Height	Multiplier	Watts	Multiplier HPS	Multiplier MH
40'	.6	175	.3	
30'	1.0	200PS	.4	
25'	1.4	250	.6	.4
20'	2.3	250PS	.5	
15'	4.0	320PS	.6	
		350PS	.7	
		400	1.0	.7
		400PS	.8	

**ORDERING INFORMATION**

Metal Halide Lamp supplied with fixture	Total Watts	Lamp Type	Lamp Base	Ballast	Starting Amps/ Operating Amps				Input Watts	LAMP ANSI	Initial Lumens	Lamp Hours
					120V	208V	240V	277V				
	250	ED28	Mogul	CWA-HPF QT	1.4/2.5	.8/1.5	.7/1.3	.6/1.1	288	M138	25000	15000

**Factory Installed Options**  
Add suffix to Catalog Number

Swivel Photocontrol wired for 120V (/PCS)      Button Photocontrol wired for 120V (/PC)  
Button Photocontrol wired for 480 (/PC4)      480 volt only ballast (/480)  
Button Photocontrol wired for 208 - 277V (/PC2)

Note: Specifications may change without notice