



# FNS400SFQT



JOB NAME: \_\_\_\_\_  
 DATE: \_\_\_\_\_  
 TYPE: \_\_\_\_\_

## DESCRIPTION

Floodinator with slipfitter mount allows easy pole top mounting for aiming flexibility. Fits 2 3/8" O.D. tenon. Factory wired with T CWA-HPF ballast. Adjustable aiming over 180° arc. Mounting can be locked securely in place. Lamp supplied.

## SPECIFICATIONS

### Effective Projected Area:

EPA = 4.2

### Finish:

Chip and fade resistant polyester powder coating.

### Housing:

One-piece die cast aluminum with die cast door frame held captive when opened

### Lens Gasket:

High temperature extruded silicone set in die cast retaining groove. Remains in place during relamping

### Lens:

Thermal, tempered shock resistant glass, 5/32" thick

### Reflector:

High quality anodized aluminum eliminates redirected energy to prolong lamp life. Contoured for maximum horizontal and vertical beam dispersion

### Socket:

Porcelain socket pulse rate 4 KV, 1500 watts and 600 volts, reinforced with cat's eyes for added durability. Silicone and fiberglass #14 gauge socket leads rated for 200°C. Plated screw shell designed to resist corrosion with spring loaded center contact.

### UL Listing:

Suitable for wet locations. Suitable for mounting within 4' of the ground

### EPA:

4.2

### Patents:

RAB sensor and fixture designs are protected under U.S. and International Intellectual Property laws.

### Quad Tap:

Fixture works with 120, 208, 240 and 277 Volts

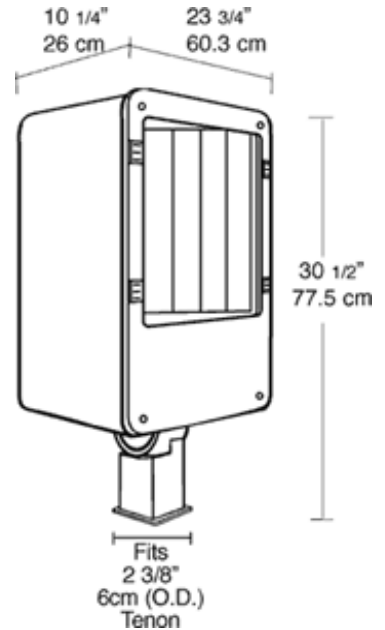
### Color:

Bronze

### Weight:

60.15

## DIMENSIONS



## ORDERING INFORMATION

**High Pressure Sodium**  
Lamp supplied with fixture

Total Watts	Lamp Type	Lamp Base	Ballast	Starting Amps/ Operating Amps				Input Watts	LAMP ANSI	Initial Lumens	Lamp Hours
				120V	208V	240V	277V				
400	ED18	Mogul	CWA-HPF QT	3.3/3.8	1.8/2.2	1.5/1.9	1.4/1.7	464	S51	50000	24000

**Factory Installed Options**  
Add suffix to Catalog Number

Swivel Photocontrol wired for 480 Volt (/PCS4) Single fusing for 120 and 277 volt (/F)  
 Swivel Photocontrol wired for 208 - 240 Volt (/PCS5) Double fusing for 208 and 240 volt. (/FF)  
 Swivel Photocontrol wired for 120V (/PCS) Button Photocontrol wired for 120V (/PC)  
 480 Volt (/480)

Note: Specifications may change without notice