



FNS1000SF/480



JOB NAME: _____
 DATE: _____
 TYPE: _____

DESCRIPTION

Floodinator with slipfitter mount allows easy pole top mounting for aiming flexibility. Fits 2 3/8" O.D. tenon. Factory wired with T CWA-HPF ballast. Adjustable aiming over 180° arc. Mounting can be locked securely in place. Lamp supplied.

SPECIFICATIONS

Effective Projected Area:

EPA = 4.2

Finish:

Chip and fade resistant polyester powder coating.

Housing:

One-piece die cast aluminum with die cast door frame held captive when opened

Lens Gasket:

High temperature extruded silicone set in die cast retaining groove. Remains in place during relamping

Lens:

Thermal, tempered shock resistant glass, 5/32" thick

Reflector:

High quality anodized aluminum eliminates redirected energy to prolong lamp life. Contoured for maximum horizontal and vertical beam dispersion

UL Listing:

Suitable for wet locations. Suitable for mounting within 4' of the ground

Socket:

Porcelain socket pulse rate 4 KV, 1500 watts and 600 volts, reinforced with cat's eyes for added durability. Silicone and fiberglass #14 gauge socket leads rated for 200°C. Plated screw shell designed to resist corrosion with spring loaded center contact.

Ballast Volts:

480 V

EPA:

4.2

Patents:

RAB sensor and fixture designs are protected under U.S. and International Intellectual Property laws.

Starting/Operating Amps:

1.6/2.3A

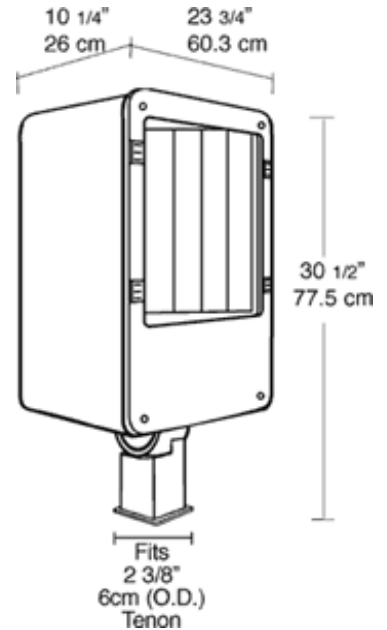
Color:

Bronze

Weight:

74.65

DIMENSIONS



ORDERING INFORMATION

| High Pressure Sodium Lamp supplied with fixture | Total Watts | Lamp Type | Lamp Base | Ballast | Starting Amps/ Operating Amps | | | | Input Watts | LAMP ANSI | Initial Lumens | Lamp Hours |
|----------------------------------------------------|----------------|--------------|--------------|--------------|-------------------------------|------|------|------|----------------|--------------|-------------------|---------------|
| | | | | | 120V | 208V | 240V | 277V | | | | |
| | 1000 | BT37 | Mogul | CWA-HPF 480V | | | | | 1100 | S52 | 125000 | 24000 |

Factory Installed Options
 Add suffix to Catalog Number

Swivel Photocontrol wired for 480 Volt (/PCS4) Single fusing for 120 and 277 volt (/F)
 Swivel Photocontrol wired for 208 - 240 Volt (/PCS5) Double fusing for 208 and 240 volt. (/FF)
 Swivel Photocontrol wired for 120V (/PCS) Button Photocontrol wired for 120V (/PC)
 480 Volt (/480)

Note: Specifications may change without notice