



FNS1000SFQT/PC



JOB NAME: _____
 DATE: _____
 TYPE: _____

DESCRIPTION

Floodinator with slipfitter mount allows easy pole top mounting for aiming flexibility. Fits 2 3/8" O.D. tenon. Factory wired with T CWA-HPF ballast. Adjustable aiming over 180° arc. Mounting can be locked securely in place. Lamp supplied.

SPECIFICATIONS

Effective Projected Area:

EPA = 4.2

Finish:

Chip and fade resistant polyester powder coating.

Housing:

One-piece die cast aluminum with die cast door frame held captive when opened

Lens Gasket:

High temperature extruded silicone set in die cast retaining groove. Remains in place during relamping

Lens:

Thermal, tempered shock resistant glass, 5/32" thick

Reflector:

High quality anodized aluminum eliminates redirected energy to prolong lamp life. Contoured for maximum horizontal and vertical beam dispersion

UL Listing:

Suitable for wet locations. Suitable for mounting within 4' of the ground

Socket:

Porcelain socket pulse rate 4 KV, 1500 watts and 600 volts, reinforced with cat's eyes for added durability. Silicone and fiberglass #14 gauge socket leads rated for 200°C. Plated screw shell designed to resist corrosion with spring loaded center contact.

EPA:

4.2

Patents:

RAB sensor and fixture designs are protected under U.S. and International Intellectual Property laws.

Photocontrol:

Swivel Photocontrol installed and wired for 120V

Quad Tap:

Fixture works with 120, 208, 240, and 277 volts

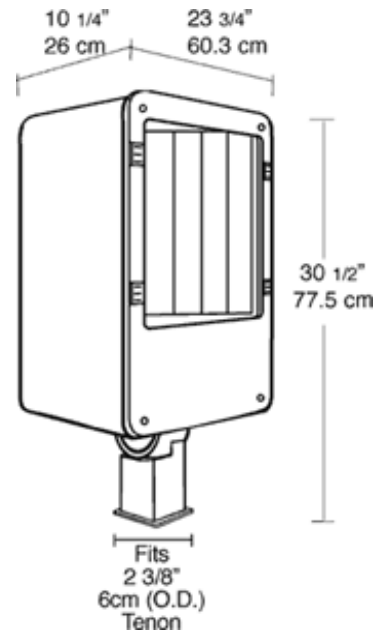
Color:

Bronze

Weight:

74.65

DIMENSIONS



ORDERING INFORMATION

High Pressure Sodium Lamp supplied with fixture	Total Watts	Lamp Type	Lamp Base	Ballast	Starting Amps/ Operating Amps				Input Watts	LAMP ANSI	Initial Lumens	Lamp Hours
					120V	208V	240V	277V				
	1000	BT37	Mogul	CWA-HPF QT	6.4/9.5	3.8/5.5	3.2/4.8	2.8/4.2	1100	S52	125000	24000

Factory Installed Options
 Add suffix to Catalog Number

Swivel Photocontrol wired for 480 Volt (/PCS4) Single fusing for 120 and 277 volt (/F)
 Swivel Photocontrol wired for 208 - 240 Volt (/PCS5) Double fusing for 208 and 240 volt. (/FF)
 Swivel Photocontrol wired for 120V (/PCS) Button Photocontrol wired for 120V (/PC)
 480 Volt (/480)

Note: Specifications may change without notice