



# FX70SFQT/PCS



JOB NAME: \_\_\_\_\_  
 DATE: \_\_\_\_\_  
 TYPE: \_\_\_\_\_

## DESCRIPTION

Medium base HPS, MH or CFL specification grade flood with Integra Hood glare shield and slipfitter mount for 2 3/8" diameter tenons. Lamp supplied.

## SPECIFICATIONS

### Finish:

Chip and fade resistant polyester powder coating

### Ground Mounting:

Use the new MPM19 PVC Mighty Post with aluminum cap for sturdy installation

### Housing:

Precision die cast aluminum. 1/2" NPS locking Swivel Arm, Wall Bracket Trunnion or Slip Fitter

### Lens Frame & Glare Shield:

Precision die cast aluminum. Hinged for easy access. Phillips head screws for added security

### Lens Gasket:

High temperature one piece molded silicone set in die cast retaining groove. Remains in place during relamping

### Lens:

Thermal tempered shock resistant glass, 3/16" thick

### Reflector:

Anodized aluminum. Field adjustable beam spread. Rotates 90° for horizontal or vertical lamp position

### Socket:

HID: Porcelain 4kv Pulse Rated socket with nickel plated screw shell CFL: Plug in type, GX24q-4 base

### UL Listing:

Suitable for wet locations. Suitable for mounting within 4' of the ground

### Patents:

Pat. D544,125

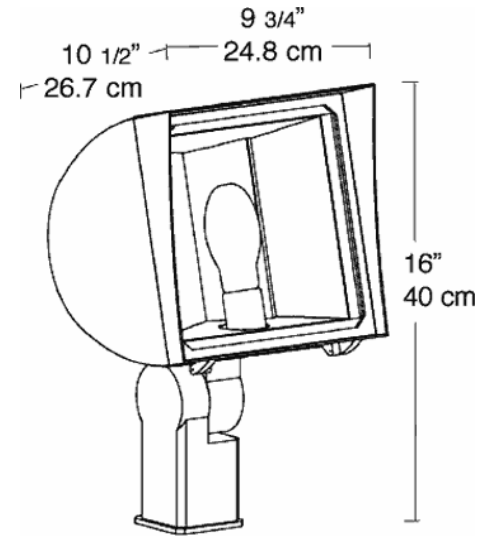
### Color:

Bronze

### Weight:

16.43

## DIMENSIONS



## ORDERING INFORMATION

**High Pressure Sodium**  
 Lamp supplied with fixture

Total Watts	Lamp Type	Lamp Base	Ballast	Starting Amps/ Operating Amps				Input Watts	LAMP ANSI	Initial Lumens	Lamp Hours
				120V	208V	240V	277V				
70	ED17	Medium	HX-HPF QT	.8/.9	.5/.5	.4/.4	.4/.4	91	S62	6400	24000

**Factory Installed Options**  
 Add suffix to Catalog Number

Swivel Photocontrol wired for 120V (/PCS)  
 Single fusing for 120 and 277 volt (/F)

Double fusing for 208 and 240 volt (/FF)  
 Button Photocontrol wired for 120V (/PC)

Note: Specifications may change without notice