



JOB NAME: \_\_\_\_\_  
DATE: \_\_\_\_\_  
TYPE: \_\_\_\_\_

**DESCRIPTION**

Medium base HPS, MH or CFL specification grade flood with Integra Hood glare shield and slipfitter mount for 2 3/8" diameter tenons. Lamp supplied.

**SPECIFICATIONS**

**Finish:**

Chip and fade resistant polyester powder coating

**Ground Mounting:**

Use the new MPM19 Mighty Post with aluminum cap for sturdy installation

**Housing:**

Precision die cast aluminum. 1/2" NPS locking Swivel Arm, Wall Bracket Trunnion or Slip Fitter

**Lens Frame & Glare Shield:**

Precision die cast aluminum. Hinged for easy access. Phillips head screws for added security

**Lens Gasket:**

High temperature one piece molded silicone set in die cast retaining groove. Remains in place during relamping

**Lens:**

Thermal tempered shock resistant glass, 3/16" thick

**Reflector:**

Anodized aluminum. Field adjustable beam spread. Rotates 90° for horizontal or vertical lamp position

**Socket:**

HID: Porcelain 4kv Pulse Rated socket with nickel plated screw shell CFL: Plug in type, GX24q-4 base

**UL Listing:**

Suitable for wet locations. Suitable for mounting within 4' of the ground

**EPA:**

Maximum EPA: 1.1

**Patents:**

Pat. D544,125

**Photocontrol:**

Button Photocontrol installed and wired for 120V

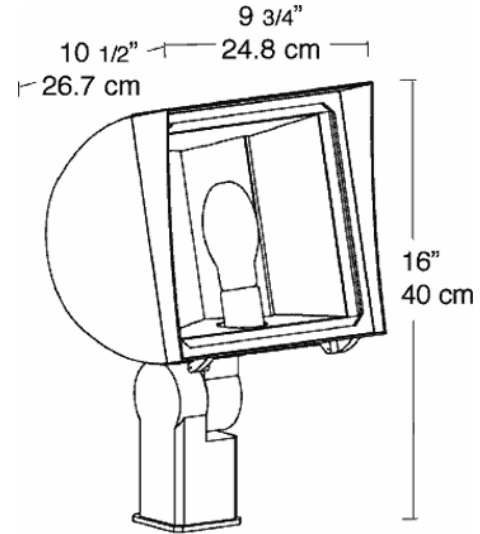
**Color:**

Bronze

**Weight:**

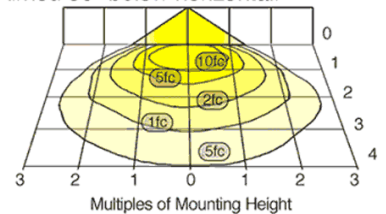
15.53

**DIMENSIONS**



**PHOTOMETRIC**

175w Metal Halide @ 10' Mounting Height Aimed 30° below horizontal.



Mounting Height	Multiplier	Multiplier		
		Watts	HPS	MH CFL
8'	1.6	175		1.0
10'	1.0	150PS	1.2	1.0
12'	.7	150	.7	.7
16'	.4	100	.5	.4
20'	.25	50	.3	.25
		42		.23

**ORDERING INFORMATION**

**High Pressure Sodium**  
Lamp supplied with fixture

Total Watts	Lamp Type	Lamp Base	Ballast
150	ED17	Medium	R-HPF 120V

Starting Amps/ Operating Amps			
120V	208V	240V	277V
2.3/1.5			

Input Watts	LAMP ANSI	Initial Lumens	Lamp Hours
170	S55	16000	24000

**Factory Installed Options**  
Add suffix to Catalog Number

Swivel Photocontrol wired for 120V (/PCS)  
Single fusing for 120 and 277 volt (/F)

Double fusing for 208 and 240 volt (/FF)  
Button Photocontrol wired for 120V (/PC)

Note: Specifications may change without notice