

# FX150SFQT



JOB NAME: \_\_\_\_\_  
DATE: \_\_\_\_\_  
TYPE: \_\_\_\_\_

## DESCRIPTION

Medium base HPS, MH or CFL specification grade flood with Integra Hood glare shield and slipfitter mount for 2 3/8" diameter tenons. Lamp supplied.

## SPECIFICATIONS

### Finish:

Chip and fade resistant polyester powder coating

### Ground Mounting:

Use the new MPM19 Mighty Post with aluminum cap for sturdy installation

### Housing:

Precision die cast aluminum. 1/2" NPS locking Swivel Arm, Wall Bracket Trunnion or Slip Fitter

### Lens Frame & Glare Shield:

Precision die cast aluminum. Hinged for easy access. Phillips head screws for added security

### Lens Gasket:

High temperature one piece molded silicone set in die cast retaining groove. Remains in place during relamping

### Lens:

Thermal tempered shock resistant glass, 3/16" thick

### Reflector:

Anodized aluminum. Field adjustable beam spread. Rotates 90° for horizontal or vertical lamp position

### Socket:

HID: Porcelain 4kv Pulse Rated socket with nickel plated screw shell CFL: Plug in type, GX24q-4 base

### UL Listing:

Suitable for wet locations. Suitable for mounting within 4' of the ground

### EPA:

Maximum EPA: 1.1

### Patents:

Pat. D544,125

### Quad Tap:

Fixture works with 120, 208, 240 and 277 Volts

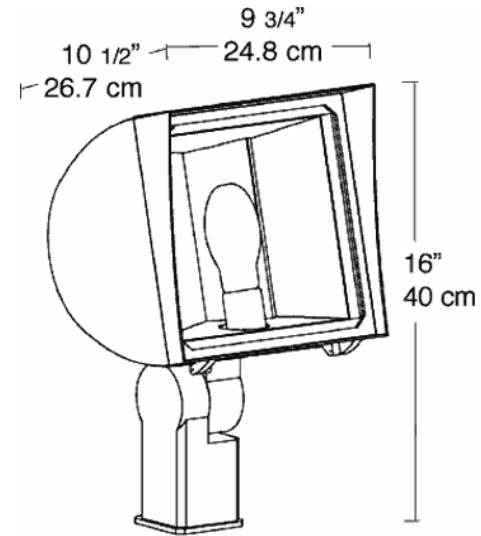
### Color:

Bronze

### Weight:

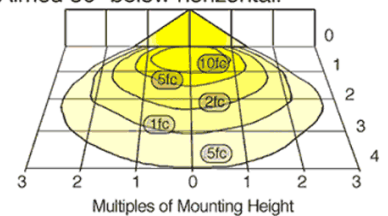
18.43

## DIMENSIONS



## PHOTOMETRIC

175w Metal Halide @ 10' Mounting Height  
Aimed 30° below horizontal.



| Mounting Height | Multiplier | Multiplier |     |        |
|-----------------|------------|------------|-----|--------|
|                 |            | Watts      | HPS | MH CFL |
| 8'              | 1.6        | 175        |     | 1.0    |
| 10'             | 1.0        | 150PS      |     | 1.0    |
| 12'             | .7         | 150        | 1.2 | 1.0    |
| 16'             | .4         | 100        | .7  | .7     |
| 20'             | .25        | 70         | .5  | .4     |
|                 |            | 50         | .3  | .25    |
|                 |            | 42         |     | .23    |

## ORDERING INFORMATION

**High Pressure Sodium**  
Lamp supplied with fixture

| Total Watts | Lamp Type | Lamp Base | Ballast   |
|-------------|-----------|-----------|-----------|
| 150         | ED17      | Medium    | HX-HPF QT |

| Starting Amps/ Operating Amps |         |       |       |
|-------------------------------|---------|-------|-------|
| 120V                          | 208V    | 240V  | 277V  |
| 2.0/1.7                       | 1.2/1.0 | 1/1.9 | .9/.8 |

| Input Watts | LAMP ANSI | Initial Lumens | Lamp Hours |
|-------------|-----------|----------------|------------|
| 188         | S55       | 16000          | 24000      |

**Factory Installed Options**  
Add suffix to Catalog Number

Swivel Photocontrol wired for 120V (/PCS)  
Single fusing for 120 and 277 volt (/F)

Double fusing for 208 and 240 volt (/FF)  
Button Photocontrol wired for 120V (/PC)

Note: Specifications may change without notice