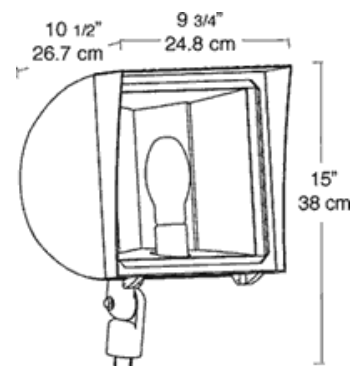


FX100/PC

Medium base HPS, MH or CFL specification grade flood with Integra Hood glare shield and 1/2" heavy duty swivel arm. Lamp supplied.



Lamp Info

Type: ED17
Watts: 100
Shape/Size: N/A
Base: N/A
ANSI: N/A
Hours: 24,000
Lamp Lumens: 9,500
Efficacy: 83 LPW

Ballast Info

Type: R-HPF 120V
120V: 1.5/1.1
208V: N/A
240V: N/A
270V: N/A
Input Watts: 115W
Efficiency: 87%

Technical Specifications

UL Listing:

Suitable for wet locations. Suitable for mounting within 4' of the ground

Housing:

Precision die cast aluminum. 1/2" NPS locking Swivel Arm, Wall Bracket Trunion or Slip Fitter

Reflector:

Anodized aluminum. Field adjustable beam spread. Rotates 90 for horizontal or vertical lamp position

Lens Frame & Glare Shield:

Precision die cast aluminum. Hinged for easy access. Phillips head screws for added security

Socket:

HID Porcelain 4kv Pulse Rated socket with nickel plated screw shell CFL Plug in type, GX24q-4 base

Finish:

Chip and fade resistant polyester powder coating

Lens:

Thermal tempered shock resistant glass, 3/16" thick

Lens Gasket:

High temperature one piece molded silicone set in die cast retaining groove. Remains in place during relamping

Ground Mounting:

Use the new MPM19 Mighty Post with aluminum cap for sturdy installation

Photocell:

Button Photocell installed and wired for 120V

EPA:

Maximum EPA 1.1

Color: Bronze

Weight: 16.0 lbs

Patents:

Pat. D545,472

Country of Origin:

Designed by RAB in New Jersey and assembled in the USA by IBEW Local 3

Buy American Act Compliant:

This product is a COTS item manufactured in the United States, and is compliant with the Buy American Act.

Recovery Act (ARRA) Compliant:

This product complies with the 52.225-21 "Required Use of American Iron, Steel, and Manufactured Goods-- Buy American Act-- Construction Materials (October 2010)

Trade Agreements Act Compliant:

This product is a COTS item manufactured in the United States, and is compliant with the Trade Agreements Act.

GSA Schedule:

This product is suitable for listing on the GSA Schedule of the US General Services in accordance with FAR Subpart 25.4

RAB
LIGHTING

Tech Help Line: 888 RAB-1000

Email: sales@rabweb.com

On the web at: www.rabweb.com

Copyright ©2012 RAB Lighting, Inc. All Rights Reserved

Note: Specifications are subject to change without notice

Page 1 of 1