

RAB LIGHTING

FX100X/PC



JOB NAME: _____
 DATE: _____
 TYPE: _____

DESCRIPTION

Medium Base HPS, MH or CFL specification grade flood with Integra Hood glare shield and fixed wall mounting bracket. Bracket provides 2 different Full Cutoff Mounting angles. Can be mounted as upright. Lamp supplied.

SPECIFICATIONS

Finish:

Chip and fade resistant polyester powder coating

Ground Mounting:

Use the new MPM19 PVC Mighty Post with aluminum cap for sturdy installation

Housing:

Precision die cast aluminum. 1/2" NPS locking Swivel Arm, Wall Bracket Trunnion or Slip Fitter

Lens Frame & Glare Shield:

Precision die cast aluminum. Hinged for easy access. Phillips head screws for added security

Lens Gasket:

High temperature one piece molded silicone set in die cast retaining groove. Remains in place during relamping

Lens:

Thermal tempered shock resistant glass, 3/16" thick

Reflector:

Anodized aluminum. Field adjustable beam spread. Rotates 90° for horizontal or vertical lamp position

Socket:

HID: Porcelain 4kv Pulse Rated socket with nickel plated screw shell CFL: Plug in type, GX24q-4 base

UL Listing:

Suitable for wet locations. Suitable for mounting within 4' of the ground

Patents:

Pat. D545,471

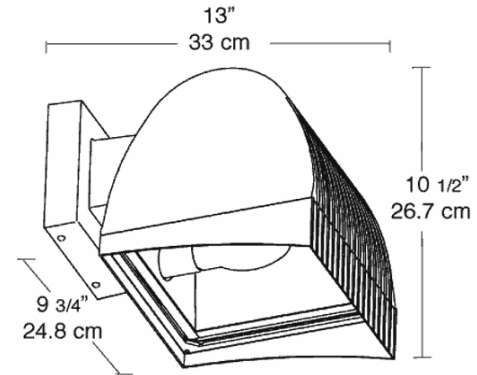
Color:

Bronze

Weight:

13.5

DIMENSIONS



ORDERING INFORMATION

High Pressure Sodium
Lamp supplied with fixture

Total Watts	Lamp Type	Lamp Base	Ballast
100	ED17	Medium	R-HPF 120V

Starting Amps/ Operating Amps			
120V	208V	240V	277V
1.5/1.1			

Input Watts	LAMP ANSI	Initial Lumens	Lamp Hours
115	S54	9500	24000

Factory Installed Options
Add suffix to Catalog Number

Swivel Photocontrol wired for 120V (/PCS)
Single fusing for 120 and 277 volt (/F)

Double fusing for 208 and 240 volt (/FF)
Button Photocontrol wired for 120V (/PC)

Note: Specifications may change without notice

RAB Lighting, Inc. • 170 Ludlow Ave • Northvale, NJ 07647 • Tel: 888 RAB-1000 • Fax: 888 RAB-1232 • www.rabweb.com
 © 2009