

FX100SF



JOB NAME: _____
DATE: _____
TYPE: _____

DESCRIPTION

Medium base HPS, MH or CFL specification grade flood with Integra Hood glare shield and slipfitter mount for 2 3/8" diameter tenons. Lamp supplied.

SPECIFICATIONS

Finish:

Chip and fade resistant polyester powder coating

Ground Mounting:

Use the new MPM19 Mighty Post with aluminum cap for sturdy installation

Housing:

Precision die cast aluminum. 1/2" NPS locking Swivel Arm, Wall Bracket Trunnion or Slip Fitter

Lens Frame & Glare Shield:

Precision die cast aluminum. Hinged for easy access. Phillips head screws for added security

Lens Gasket:

High temperature one piece molded silicone set in die cast retaining groove. Remains in place during relamping

Lens:

Thermal tempered shock resistant glass, 3/16" thick

Reflector:

Anodized aluminum. Field adjustable beam spread. Rotates 90° for horizontal or vertical lamp position

Socket:

HID: Porcelain 4kv Pulse Rated socket with nickel plated screw shell CFL: Plug in type, GX24q-4 base

UL Listing:

Suitable for wet locations. Suitable for mounting within 4' of the ground

EPA:

Maximum EPA: 1.1

Patents:

Pat. D544,125

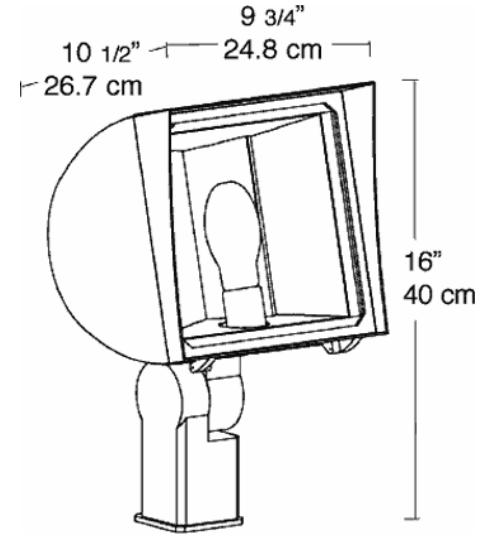
Color:

White

Weight:

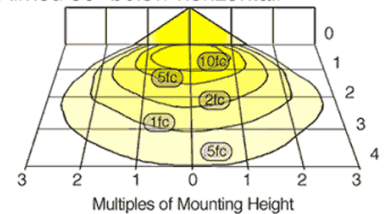
13.73

DIMENSIONS



PHOTOMETRIC

175w Metal Halide @ 10' Mounting Height
Aimed 30° below horizontal.



Mounting Height	Multiplier	Multiplier		
		Watts	HPS	MH CFL
8'	1.6	175		1.0
10'	1.0	150PS		1.0
12'	.7	150	1.2	1.0
16'	.4	100	.7	.7
20'	.25	70	.5	.4
		50	.3	.25
		42		.23

ORDERING INFORMATION

High Pressure Sodium
Lamp supplied with fixture

Total Watts	Lamp Type	Lamp Base	Ballast
100	ED17	Medium	R-HPF 120V

Starting Amps/ Operating Amps			
120V	208V	240V	277V
1.5/1.1			

Input Watts	LAMP			Initial Lumens	Lamp Hours
	ANSI	HPS	MH CFL		
115	S54	9500	24000		

Factory Installed Options
Add suffix to Catalog Number

Swivel Photocontrol wired for 120V (/PCS)
Single fusing for 120 and 277 volt (/F)

Double fusing for 208 and 240 volt (/FF)
Button Photocontrol wired for 120V (/PC)

Note: Specifications may change without notice