



FX100QT/PC



JOB NAME: _____
 DATE: _____
 TYPE: _____

DESCRIPTION

Medium base HPS, MH or CFL specification grade flood with Integra Hood glare shield.
 Lamp supplied.

SPECIFICATIONS

Finish:

Chip and fade resistant polyester powder coating

Ground Mounting:

Use the new MPM19 Mighty Post with aluminum cap for sturdy installation

Housing:

Precision die cast aluminum. 1/2" NPS locking Swivel Arm, Wall Bracket Trunnion or Slip Fitter

Lens Frame & Glare Shield:

Precision die cast aluminum. Hinged for easy access. Phillips head screws for added security

Lens Gasket:

High temperature one piece molded silicone set in die cast retaining groove. Remains in place during relamping

Lens:

Thermal tempered shock resistant glass, 3/16" thick

UL Listing:

Suitable for wet locations. Suitable for mounting within 4' of the ground

Reflector:

Anodized aluminum. Field adjustable beam spread. Rotates 90° for horizontal or vertical lamp position

Socket:

HID: Porcelain 4kv Pulse Rated socket with nickel plated screw shell CFL: Plug in type, GX24q-4 base

EPA:

Maximum EPA: 1.1

Patents:

Pat. D545,472

Photocontrol:

Button Photocontrol installed and wired for 120V

Quad Tap:

Fixture works with 120, 208, 240, and 277 volts

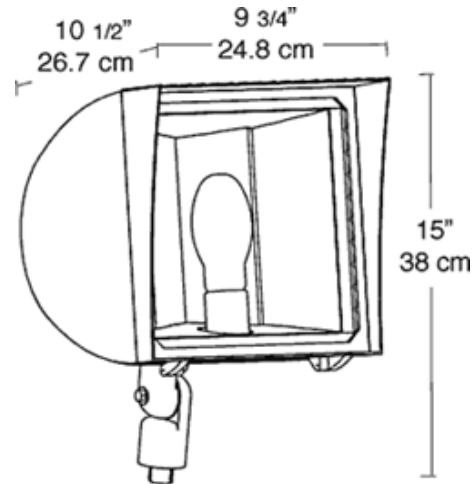
Color:

Bronze

Weight:

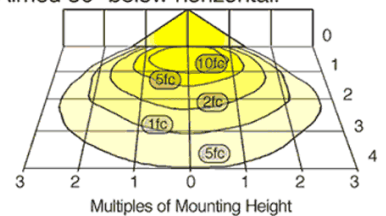
16

DIMENSIONS



PHOTOMETRIC

175w Metal Halide @ 10' Mounting Height Aimed 30° below horizontal.



Mounting Height	Multiplier	Multiplier		
		Watts	HPS	MH CFL
8'	1.6	175		1.0
10'	1.0	150PS		1.0
12'	.7	150	1.2	1.0
16'	.4	100	.7	.7
20'	.25	70	.5	.4
		50	.3	.25
		42		.23

ORDERING INFORMATION

High Pressure Sodium
 Lamp supplied with fixture

Total Watts	Lamp Type	Lamp Base	Ballast
100	ED17	Medium	HX-HPF QT

Starting Amps/ Operating Amps			
120V	208V	240V	277V
1.3/1.2	.8/.7	.7/.6	.6/.5

Input Watts	LAMP ANSI	Initial Lumens	Lamp Hours
130	S54	9500	24000

Factory Installed Options
 Add suffix to Catalog Number

Swivel Photocontrol wired for 120V (/PCS)
 Single fusing for 120 and 277 volt (/F)

Double fusing for 208 and 240 volt (/FF)
 Button Photocontrol wired for 120V (/PC)

Note: Specifications may change without notice