

RAB LIGHTING

FX100QT



JOB NAME: _____
 DATE: _____
 TYPE: _____

DESCRIPTION

Medium base HPS, MH or CFL specification grade flood with Integra Hood glare shield.
 Lamp supplied.

SPECIFICATIONS

Finish:

Chip and fade resistant polyester powder coating

Ground Mounting:

Use the new MPM19 Mighty Post with aluminum cap for sturdy installation

Housing:

Precision die cast aluminum. 1/2" NPS locking Swivel Arm, Wall Bracket Trunnion or Slip Fitter

Lens Frame & Glare Shield:

Precision die cast aluminum. Hinged for easy access. Phillips head screws for added security

Lens Gasket:

High temperature one piece molded silicone set in die cast retaining groove. Remains in place during relamping

Lens:

Thermal tempered shock resistant glass, 3/16" thick

Reflector:

Anodized aluminum. Field adjustable beam spread. Rotates 90° for horizontal or vertical lamp position

Socket:

HID: Porcelain 4kv Pulse Rated socket with nickel plated screw shell CFL: Plug in type, GX24q-4 base

UL Listing:

Suitable for wet locations. Suitable for mounting within 4' of the ground

EPA:

Maximum EPA: 1.1

Patents:

Pat. D545,472

Quad Tap:

Fixture works with 120, 208, 240 and 277 Volts

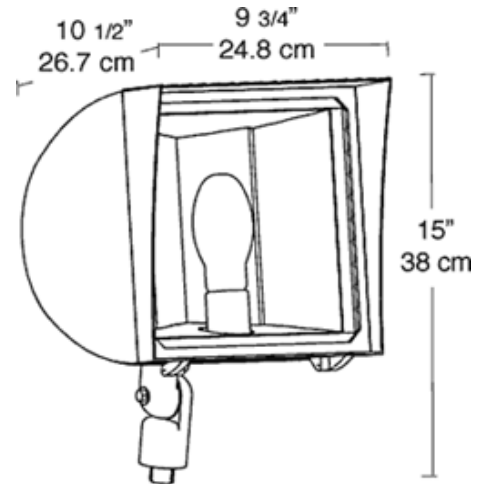
Color:

Bronze

Weight:

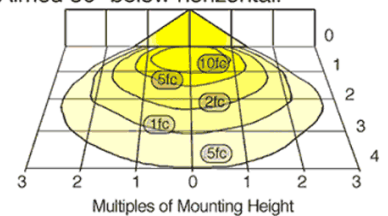
16

DIMENSIONS



PHOTOMETRIC

175w Metal Halide @ 10' Mounting Height
 Aimed 30° below horizontal.



| Mounting Height | Multiplier | Multiplier | | |
|-----------------|------------|------------|-----|--------|
| | | Watts | HPS | MH CFL |
| 8' | 1.6 | 175 | | 1.0 |
| 10' | 1.0 | 150PS | 1.2 | 1.0 |
| 12' | .7 | 150 | .7 | .7 |
| 16' | .4 | 100 | .5 | .4 |
| 20' | .25 | 70 | .3 | .25 |
| | | 50 | | .23 |

ORDERING INFORMATION

High Pressure Sodium
 Lamp supplied with fixture

| Total Watts | Lamp Type | Lamp Base | Ballast |
|-------------|-----------|-----------|-----------|
| 100 | ED17 | Medium | HX-HPF QT |

| Starting Amps/ Operating Amps | | | |
|-------------------------------|-------|-------|-------|
| 120V | 208V | 240V | 277V |
| 1.3/1.2 | .8/.7 | .7/.6 | .6/.5 |

| Input Watts | LAMP ANSI | Initial Lumens | Lamp Hours |
|-------------|-----------|----------------|------------|
| 130 | S54 | 9500 | 24000 |

Factory Installed Options
 Add suffix to Catalog Number

Swivel Photocontrol wired for 120V (/PCS)
 Single fusing for 120 and 277 volt (/F)

Double fusing for 208 and 240 volt (/FF)
 Button Photocontrol wired for 120V (/PC)

Note: Specifications may change without notice