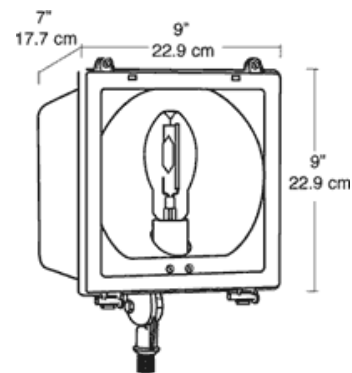


EZSH35W

Versatile HPS Floodlight with hinged lens frame and hydroformed reflector. Field adjustable vertical and horizontal lamp positions. 35-150w HPS. Lamp supplied.



Lamp Info

Type: ED17
Watts: 35
Shape/Size: N/A
Base: N/A
ANSI: N/A
Hours: 24,000
Lamp Lumens: 2,250
Efficacy: 49 LPW

Ballast Info

Type: R-HPF 120V
120V: .8/.4
208V: N/A
240V: N/A
270V: N/A
Input Watts: 46W
Efficiency: 76%

Technical Specifications

UL Listing:

Suitable for wet locations. Suitable for mounting within 4' of the ground

Housing:

Precision die cast aluminum. 1/2" NPS threaded arm with locking swivel

Reflector:

Hydroformed aluminum. Field adjustable vertical or horizontal

Lens Gasket:

High temperature tubular silicone set in die cast retaining groove remains in place during relamping.

Lens Frame:

Precision die cast aluminum. Hinged for easy access

Socket:

Porcelain 4kv Pulse Rated socket with nickel plated screw shell

Finish:

Chip and fade resistant polyester powder coat finish

Ground Mounting:

Use the new MPM19 PVC Mighty Post with aluminum cap for sturdy installation

EPA:

0.6

Patents:

RAB sensor and fixture designs are protected under U.S. and International Intellectual Property laws

Country of Origin:

Designed by RAB in New Jersey and assembled in the USA by IBEW Local 3

Color: White

Weight: 8.4 lbs

Buy American Act Compliant:

This product is a COTS item manufactured in the United States, and is compliant with the Buy American Act.

Recovery Act (ARRA) Compliant:

This product complies with the 52.225-21 "Required Use of American Iron, Steel, and Manufactured Goods-- Buy American Act-- Construction Materials (October 2010)

Trade Agreements Act Compliant:

This product is a COTS item manufactured in the United States, and is compliant with the Trade Agreements Act.

GSA Schedule:

This product is suitable for listing on the GSA Schedule of the US General Services in accordance with FAR Subpart 25.4

RAB
LIGHTING

Tech Help Line: 888 RAB-1000

Email: sales@rabweb.com

On the web at: www.rabweb.com