

EZSH150W



JOB NAME: _____
 DATE: _____
 TYPE: _____

DESCRIPTION

Versatile HPS Floodlight with hinged lens frame and hydroformed reflector. Field adjustable vertical and horizontal lamp positions. Lamp supplied.

SPECIFICATIONS

Finish:

Chip and fade resistant polyester powder coat finish

Ground Mounting:

Use the new MPM19 PVC Mighty Post with aluminum cap for sturdy installation

Housing:

Precision die cast aluminum. 1/2" NPS threaded arm with locking swivel

Lens Frame:

Precision die cast aluminum. Hinged for easy access

Lens Gasket:

High temperature tubular silicone set in die cast retaining groove remains in place during relamping.

Reflector:

Hydroformed aluminum. Field adjustable vertical or horizontal

Socket:

Porcelain 4kv Pulse Rated socket with nickel plated screw shell

UL Listing:

Suitable for wet locations. Suitable for mounting within 4' of the ground

EPA:

0.6

Patents:

RAB sensor and fixture designs are protected under U.S. and International Intellectual Property laws

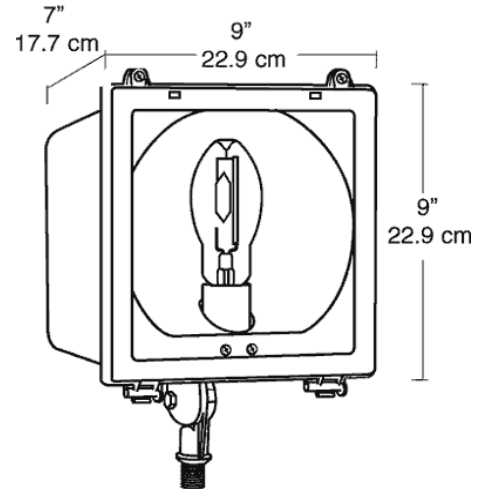
Color:

White

Weight:

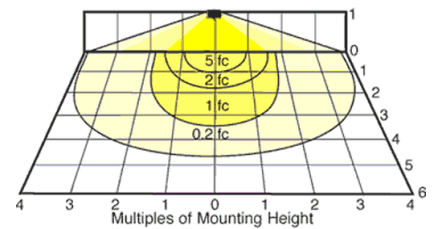
11.7

DIMENSIONS



PHOTOMETRIC

150w HPS @ 10' Mounting Height
 Aimed 30° below horizontal



| Mounting Height | Multiplier | Watts | Multiplier HPS | MH |
|-----------------|------------|-------|----------------|----|
| 8' | 1.6 | 175 | .9 | |
| 10' | 1.0 | 150PS | 1.0 | |
| 12' | .7 | 150 | 1.0 | .8 |
| 16' | .4 | 100 | .6 | .6 |
| 20' | .3 | 70 | .4 | .4 |
| | | 50 | .3 | .2 |
| | | 35 | .2 | |

ORDERING INFORMATION

High Pressure Sodium
 Lamp supplied with fixture

| Total Watts | Lamp Type | Lamp Base | Ballast | Starting Amps/ Operating Amps | Input Watts | LAMP ANSI | Initial Lumens | Lamp Hours |
|-------------|-----------|-----------|------------|-------------------------------|-------------|-----------|----------------|------------|
| | | | | 120V 208V 240V 277V | | | | |
| 150 | ED17 | Medium | R-HPF 120V | 2.3/1.5 | 170 | S55 | 16000 | 24000 |

Factory Installed Options
 Add suffix to Catalog Number

Swivel Photocontrol wired for 120V (/PCS) Dual Tap works with 120 / 277 volts (/DT)
 Quad Tap works with 120, 208, 240 and 277 volts (/QT) Photocontrol wired for 120V (/PC)

Note: Specifications may change without notice