

IMPORTANT SAFETY INFORMATION. READ AND FOLLOW ALL SAFETY INSTRUCTIONS. Follow label information and instructions concerning Wet or Damp Locations, installation near combustible materials, insulation, building materials, and proper lamping. Do not install in areas subject to combustible vapors or gases. Before wiring to power supply and during servicing or relamping, turn off power at fuse or circuit breaker. **All servicing or relamping must be performed by qualified service personnel. Product must be grounded to avoid potential electric shock or other potential hazard. Product must be mounted in locations and at heights and in a manner consistent with its intended use, and in compliance with the National Electrical Code and local codes.** The use of accessory equipment not recommended by the manufacturer or installed contrary to instructions may cause an unsafe condition. Do not block light emanating from product in whole or part, as this may cause an unsafe condition. Do not allow items such as drapes, curtains, screens or the like to come into contact with the product or to block light from the product, as this may cause an unsafe condition.

INSTALLATION INSTRUCTIONS LTC3/4/6RD/SQD CYLINDER

CAUTION: DO NOT ATTEMPT TO MODIFY OR REWIRE FACTORY-INSTALLED WIRING ON THE FIXTURE. SAFETY AND PROPER OPERATION OF THE FIXTURE DEPEND ON THE INTEGRITY OF THE WIRING.

PRIOR TO MOUNTING: LTCRD/SQD Series Cylinders are shipped with the reflector/Light engine assembly pre-installed. Always ensure that the reflector/light engine assembly is fully secured with cylinder and has not loosened during shipping. Refer fig 1.1 to 1.3

TO REMOVE REFLECTOR/LIGHT ENGINE ASSEMBLY:

1. For LTC4/6RD & LTC3/4/6SQD, Pull the reflector/light engine assembly downwards while holding the cylinder firmly, when the torsion spring is visible squeeze it to remove completely.
2. For LTC3RD, Pull the reflector/light engine assembly downwards while holding the cylinder firmly, until the knee spring bend is completely out.

TO INSTALL/REINSTALL REFLECTOR/LIGHT ENGINE ASSEMBLY:

1. For LTC4/6RD & LTC3/4/6SQD, Squeeze two torsion spring together and insert ends into two brackets.
2. For LTC3RD, Insert the reflector/light engine assembly gently into the cylinder.

NOTE: Push the reflector/light engine assembly up towards cylinder until springs draw reflector firmly against the cylinder.

!! Caution should be taken when installing reflector into cylinder as springs will snap into place and fingers can be pinched!!

TO REPLACE/UPGRADE:

All reflector/light engine assemblies are supplied with quick connects for easy access to all light engine components and future upgrades. (For compatible replacement, refer to label on reflector/light engine assembly.)

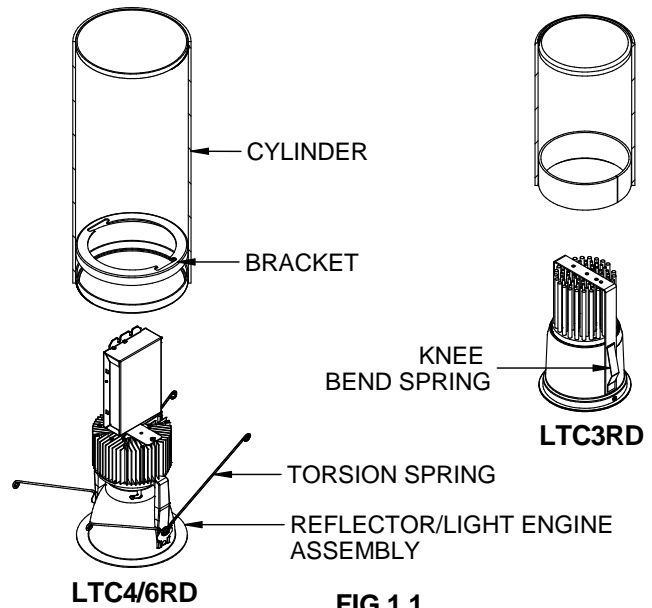


FIG 1.1

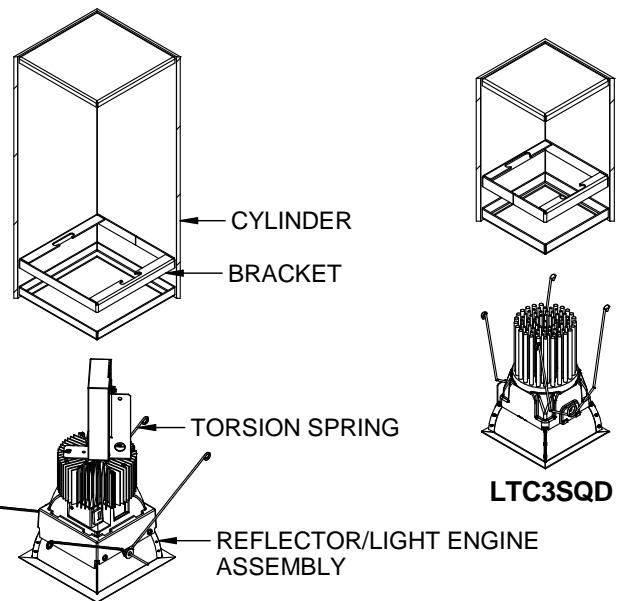


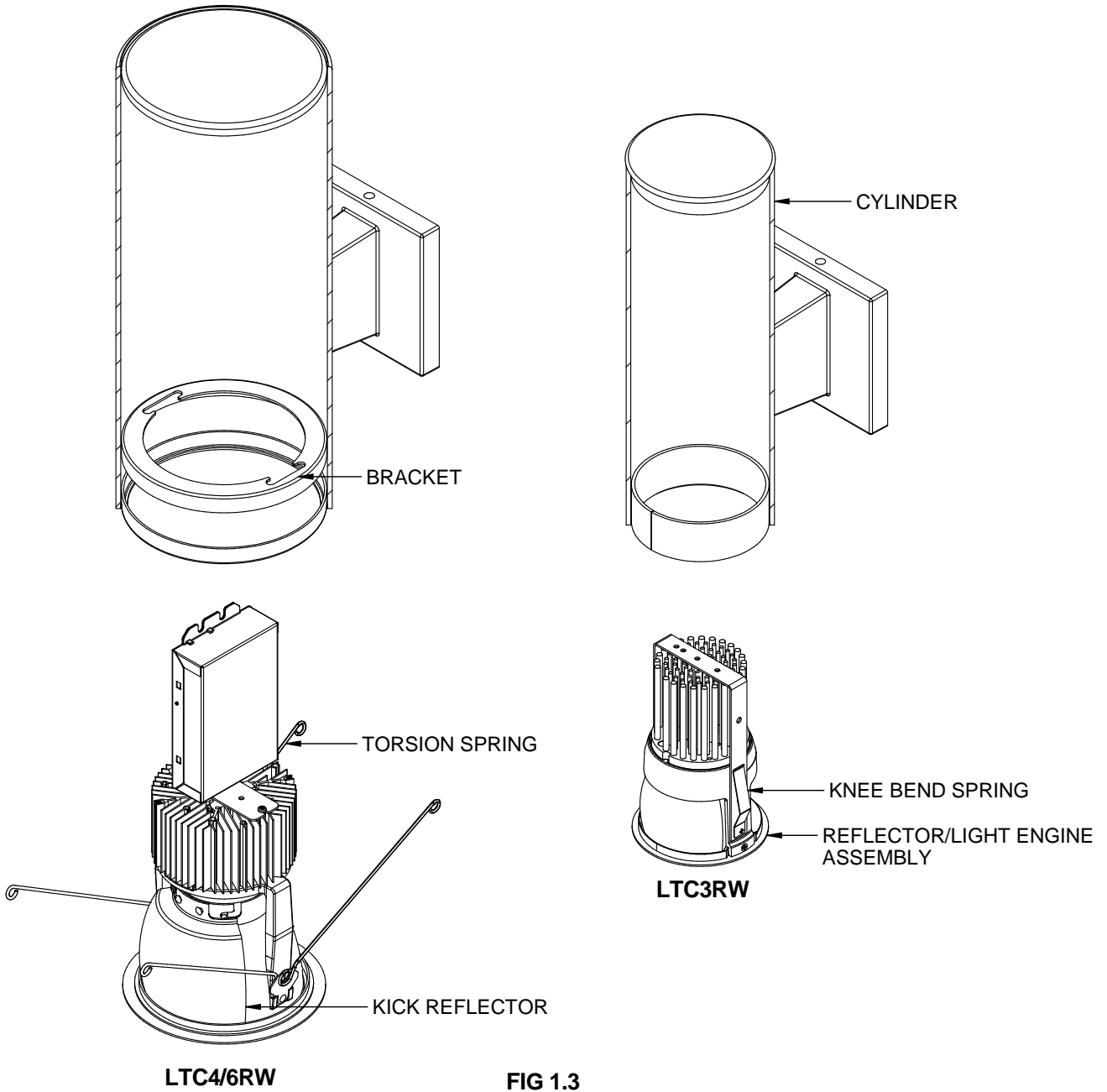
FIG 1.2

FOR WALL WASH OPTION (WW – FIG 1.3)

The wall wash reflector assembly is pre-installed to aim light toward the wall.
(Kick reflector opposite to wall surface.)

Prior to cylinder installation to wall or ceiling surface, note the orientation of the kick reflector.
If desired, the Wall Wash reflector assembly orientation can be changed 180° to direct light away from the wall.

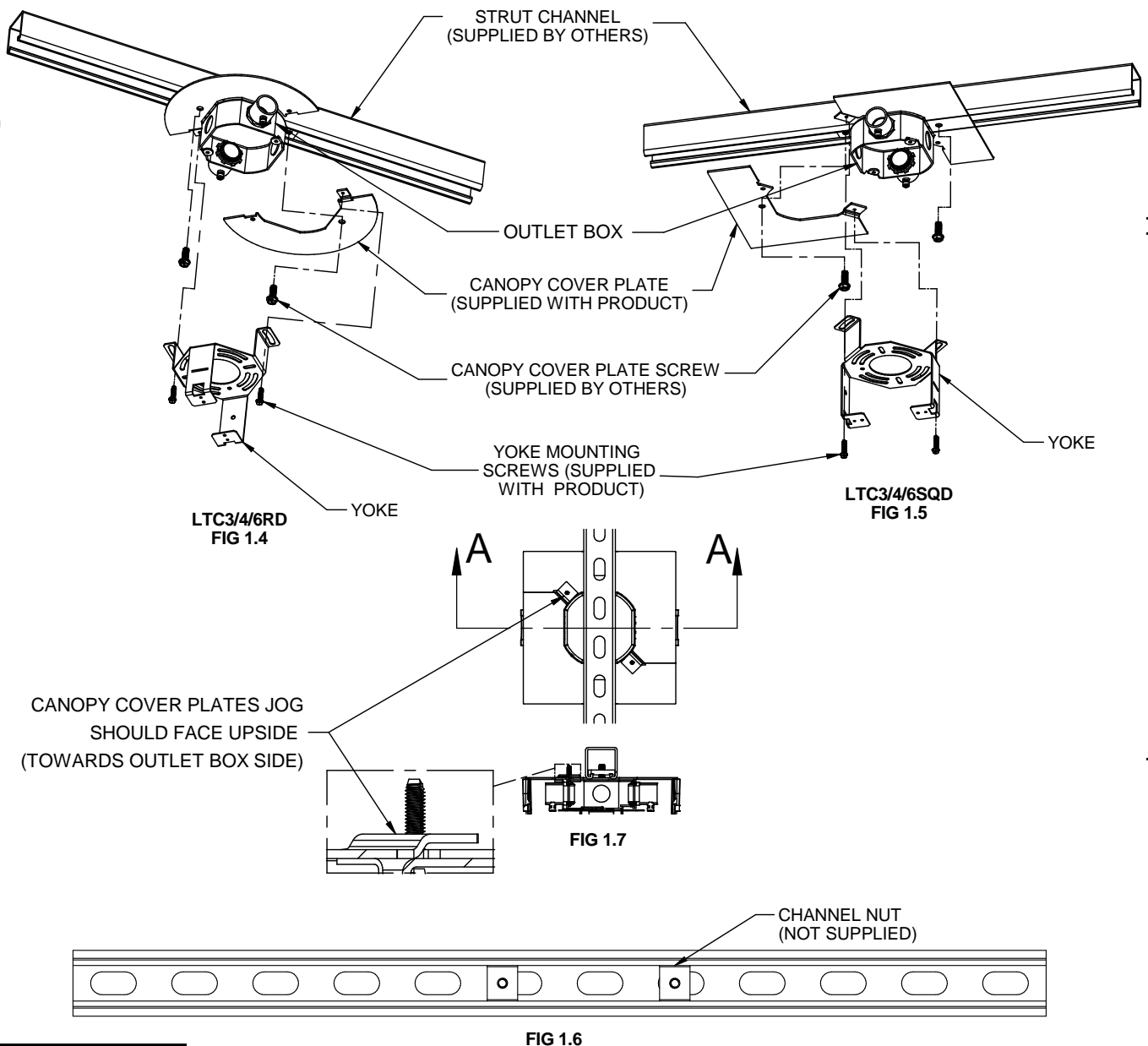
For Surface (S), Pendant Mount (PM) and Cord mount (CM): Slight adjustments in connection to canopy mounting strap may be necessary to ensure kicker is perpendicular to the wall surface.



FOR UNISTRUT MOUNTING AND OPEN CEILING APPLICATION (P/S/CM ONLY) (CC/PCC VARIANTS – FIG.1.4,1.5 & 1.6)

1. Unpack the Canopy cover plates bag from the cylinder carton.
2. Unscrew the yoke mounting screws from the Canopy cover plates assembly.
3. Secure the Canopy cover plates to the strut channel using appropriate fasteners (not provided) similar to the channel nut and Canopy cover plate screws (shown below).
NOTE: Outlet box need not to be removed (slide-in around box) during mounting plate installation.
4. Once Canopy cover plate secured to strut channel ensure both cover plates are assembled as shown below (FIG 1.7).
5. Secure yoke to the Canopy cover plates Assembly using the same yoke mounting screws (supplied with product).

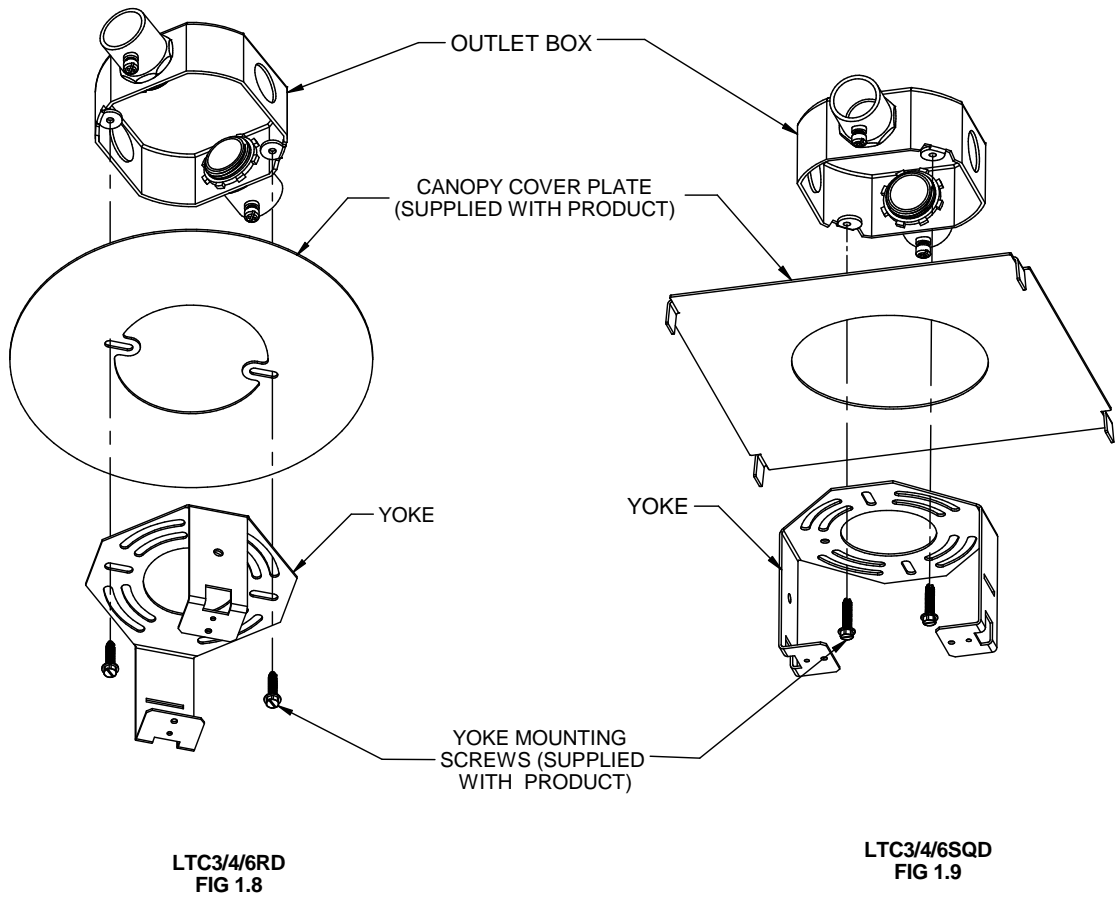
Note: Refer page 7 (CC) & 9 (PCC) for canopy and cylinder installation.



FOR OPEN CEILING APPLICATION (P/S/CM ONLY) (PC VARIANTS – FIG.1.8 & 1.9)

1. Unpack the Canopy cover plate bag from the cylinder carton.
2. For open ceiling application, position the canopy cover plate in-between yoke and outlet box and then install the yoke mounting screws to secure the yoke with outlet box.

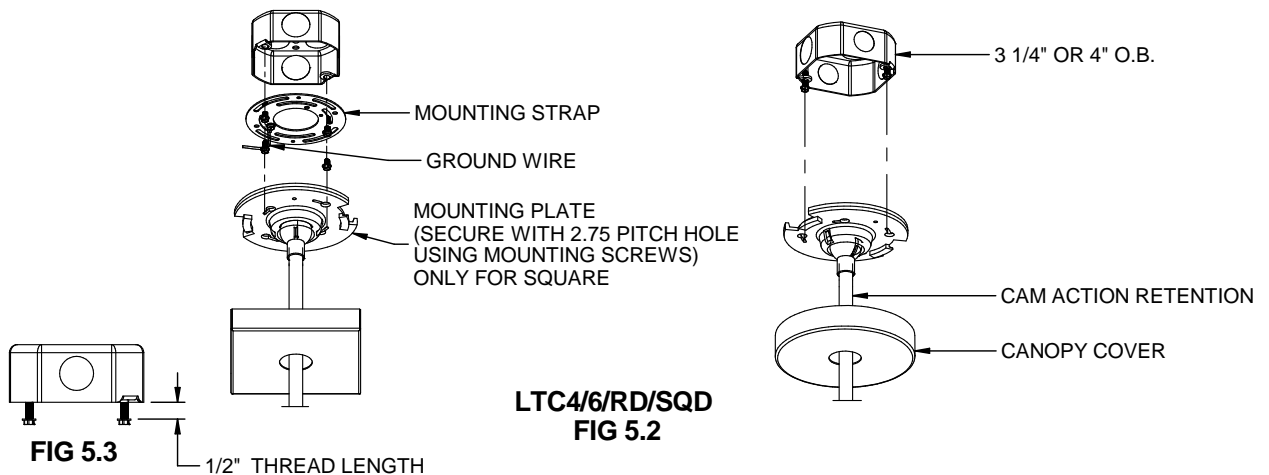
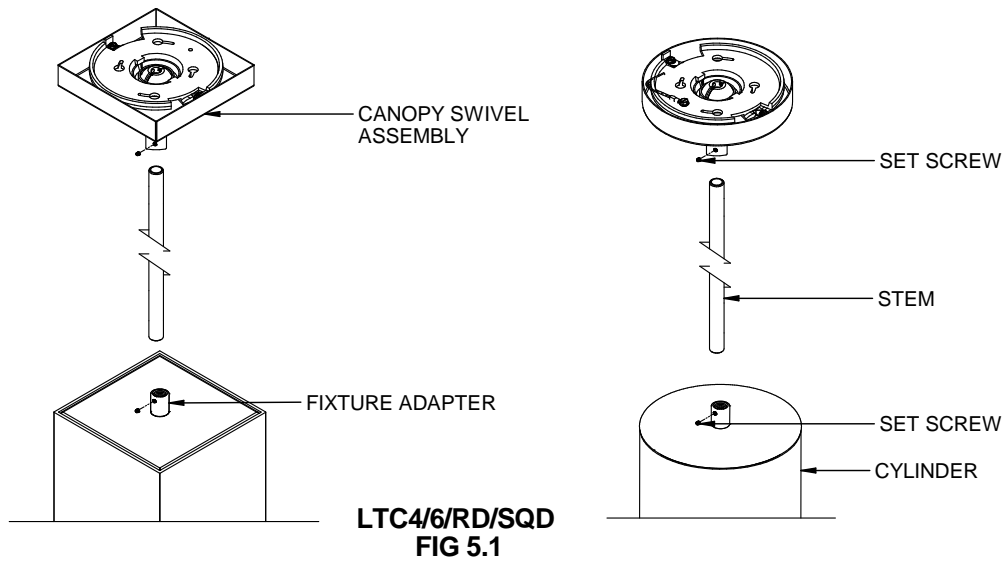
Note: Refer page 8 for canopy and cylinder installation.



PENDANT MOUNT (STD VARIANTS – FIG 5.1 & 5.2)

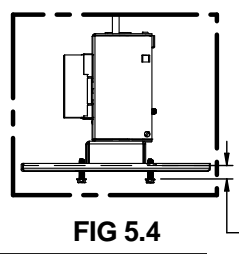
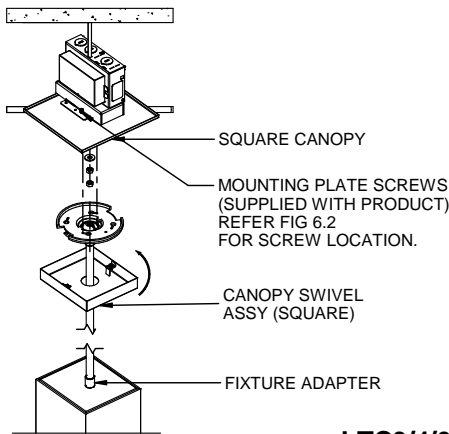
1. Install Canopy Swivel assembly coupling to top of threaded stem and secure with set screw.
NOTE: Ensure that PTFE tape is present around the thread area of the stem for sealing purpose. If it is missing, make sure to wrap 3 turns of PTFE tape around the stem thread.
2. Feed all fixture wires through bottom of stem and canopy swivel assembly, thread stem to fixture adapter and secure with set screw.
NOTE: Cut any excess wire lengths over 6" above mounting plate and strip individual wires being used to 3/8" and re-label the dimming wires for future reference.
3. Rotate and slide canopy cover from mounting plate.
4. Secure Mounting strap with outlet box screws (only applicable for LTC4/6SQD).
5. Secure mounting plate screws to outlet box (applicable for round cylinder) or mounting strap (applicable for square cylinder, mounting strap surface should be in-line with ceiling surface) ensuring to leave a minimum of 1/2" thread length of the screws below outlet box or mounting strap (Fig 5.3).
6. Make electrical connections using properly sized UL listed wire connectors. Connect the line to the black wire, neutral to the white wire, ground to the green wires, and make any control connections to the proper control wires. Cap any dimming wires not being used.
NOTE: Refer to page no. 10 to 12 for field wiring connections.
7. Align appropriate key-slots in mounting plate with outlet box (Round cylinder) or Mounting strap (Square cylinder) screws and rotate to lock into place, then tighten the screws.
8. Re-attach the canopy.

CAUTION: Don't pinch wires when installing.



PENDANT MOUNT (RMD VARIANTS – FIG 6.1)

- Secure 1/4-20 threaded rod (Supplied by others) to above ceiling structure adequately to support the weight of fixture safely, and so enough is hanging down a minimum of 6" height from the finished ceiling.
- Open remote driver box cover by gently accessing the lanced flange on both side and remove the knock-out on class 1 area to secure the metal conduit with driver box.
NOTE (FOR NX ONLY): Remove the Poly Bag (Contains NX Spare MAC labels) from driver assembly to stick the labels wherever needed for ease of access on MAC information.
- Make electrical connection using properly sized UL listed wire connectors. Connect the line to the black wire, neutral to the white wire, ground to the green wires and make any control connections to the proper control wires. Cap off any dimming wires not being used and close the driver box cover gently.
NOTE: Refer to page no. 10 to 13 for field wiring connections.
- Insert remote driver box assembly and canopy up over threaded rod so that canopy is up against finished ceiling.
NOTE: Ceiling cut-out should be 6" in diameter. Secure this assembly with washer & two quantity nut (Supplied with product) over the 1/4-20 threaded rod. Bottom of junction box flange should be even or recessed within 1/4" from drop ceiling (FIG 5.5).
- Secure cylinder mounting screws to remote driver assembly (Junction box) ensuring to leave a minimum of 1/2" thread length of the mounting screws below junction box (FIG 5.4).
- Install Canopy Swivel assembly coupling to top of threaded stem and secure with set screw.
NOTE: Ensure that PTFE tape is present around the thread area of the stem for sealing purpose. If it is missing, make sure to wrap 3 turns of PTFE tape around the stem thread.
- Feed all fixture wires through the bottom of stem and canopy swivel assembly, thread stem to fixture adapter, and secure with set screw.
NOTE: Cut any excess wire lengths over 6" above mounting plate and strip individual wires being used to 3/8" and re-label the dimming wires for future reference.
- Make electrical connection of wires from junction box & cylinder (Red wire to Red wire, Black wire to Black wire) and ensure the connection goes inside the junction box.
NOTE: For Spectra Sync make connections from Red wire to Red wire, Black wire to Black wire, and Blue Wire to Blue wire.
- Rotate and slide canopy cover from mounting plate. For square cylinders align remote driver box assembly such that it is parallel with adjacent wall.
- Align appropriate key-slots in mounting plate with Remote driver assembly junction box screws and rotate to lock into place, then tighten the screws.
- Re-attach the canopy.
CAUTION: Don't pinch wires when installing.



LTC3/4/6/RD/SQD
FIG 6.1

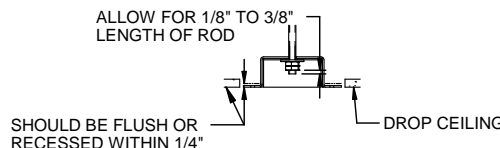
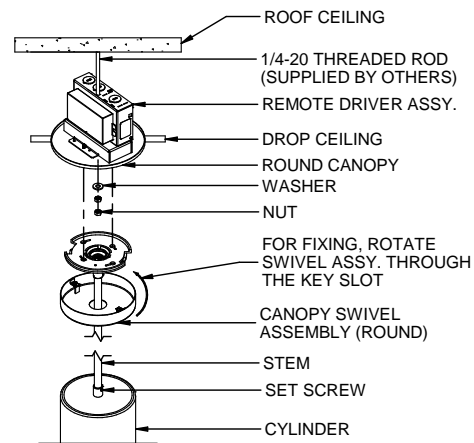


FIG 5.5

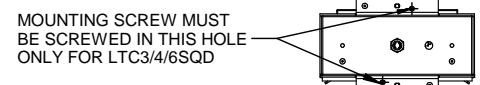


FIG 6.2

PENDANT MOUNT (CC VARIANTS – FIG 6.3)

1. Unpack the canopy mounting parts bag from the cylinder carton. Detach the canopy and swivel assembly from the yoke. Temporarily store the parts & fasteners in a safe place to avoid damage.
2. Secure yoke to ceiling using anchoring hardware (not supplied). For a square cylinder, always ensure the conduit pipe is laid parallel to adjacent wall (Refer to page 3 for Unistrut channel product mounting and open ceiling application). **NOTE:** Selected anchoring hardware must be rated for 80lbs or greater.
3. Product is equipped with four filler plates preassembled with canopy. Prior to installing the canopy, configure with appropriate filler plate/U channel layout in order to satisfy the respective application making sure to be mindful of conduit feed locations and fixture orientation, while doing so.
4. To replace the Filler plates with 'U' Channel Inserts, unscrew the filler plate from the canopy and replace it with U channel insert and secure it with same screw (FIG 6.4A & 6.4B).
5. Install swivel assembly coupling & canopy to the top of the threaded stem using the fixture adapter and secure with set screw (supplied with product).
6. Feed all fixture wires through the bottom of the stem to the canopy swivel assembly and thread stem to fixture adapter and secure with set screw (supplied with product). Pull down the canopy from the swivel assembly. **NOTE:** Cut any excess wire lengths over 6" above mounting plate and strip individual wires being used to 3/8" and re-label the dimming wires for future reference.
7. Secure swivel assembly to the yoke using mounting screws (supplied with product).
8. Make electrical connections using properly sized UL listed wire connectors. Connect the line to the black wire, neutral to the white wire, ground to the green wires, and make any control connections to the proper control wires. Cap any dimming wires not being used. **NOTE:** Refer to page no. 10 to 12 for field wiring connections.
9. Re-attach the canopy by gently pushing it against the ceiling & ensure all wire connections go inside the canopy.

CAUTION: Do not pinch wires when installing.

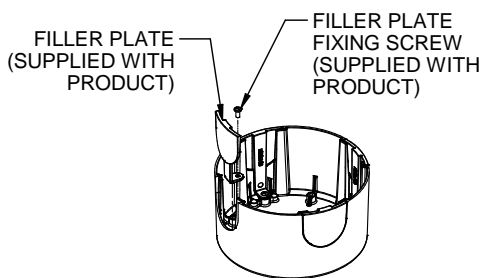


FIG 6.4A

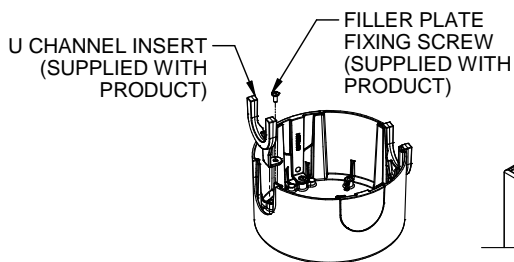
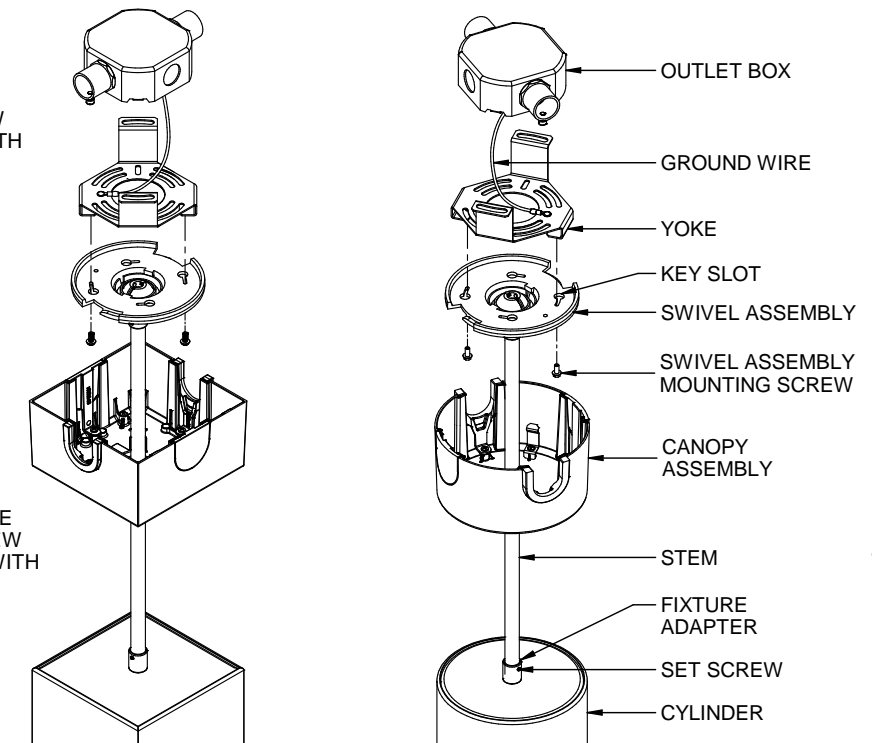


FIG 6.4B



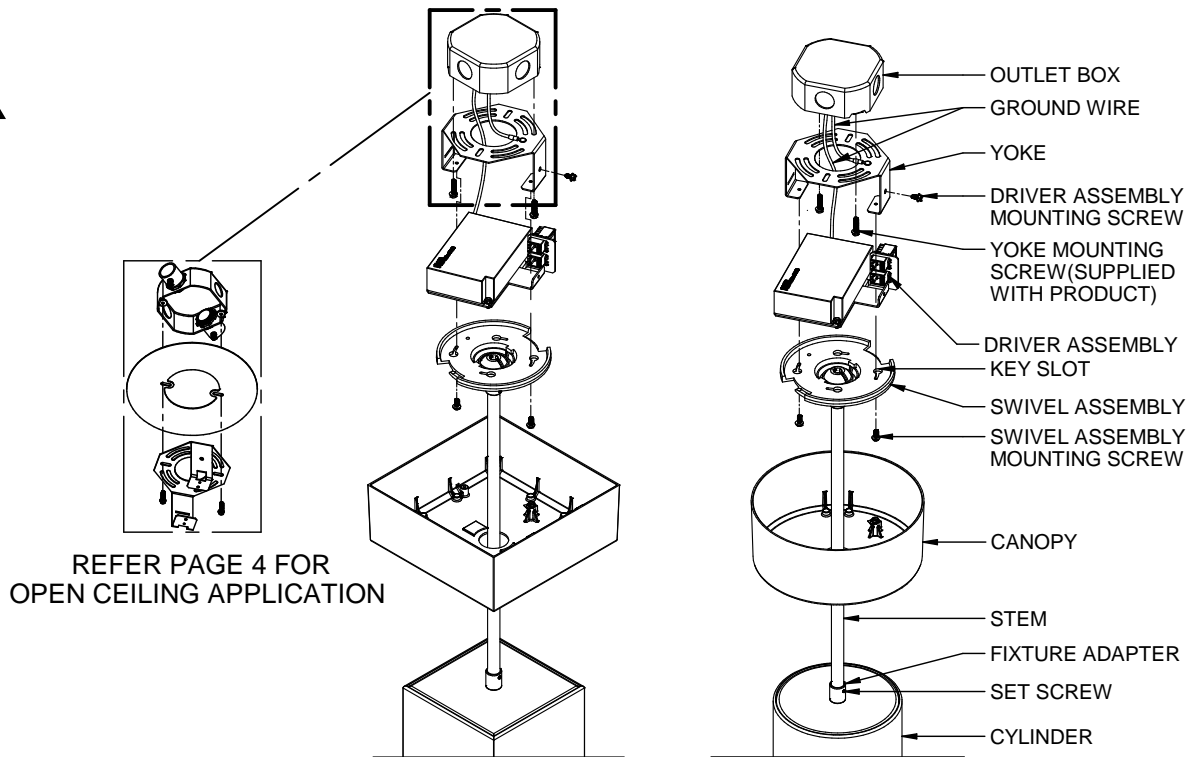
LTC4/6/RD/SQD
FIG 6.3

PENDANT MOUNT (PC VARIANTS – FIG 6.5)



1. Unpack the canopy mounting parts bag from the cylinder carton. Detach the canopy swivel assembly from the yoke. Temporarily store the parts & fasteners in a safe place to avoid damage.
2. Secure the yoke to the outlet box using appropriate mounting screws (supplied with product). For a square cylinder, yoke adjustment may be needed if specific orientation is required. (Refer page 4 for open ceiling application)
3. Secure the driver assembly to the yoke using driver assembly mounting screw (supplied with product).
NOTE (FOR NX ONLY): Remove the Poly Bag (Contains NX Spare MAC labels) from driver assembly and stick the labels wherever needed for ease of access on MAC information.
4. Make electrical connections using properly sized UL listed wire connectors. Connect the line to the black wire, neutral to the white wire, ground to the green wires, and make any control connections to the proper control wires. Cap off any dimming wires not being used.
NOTE: Refer to page no. 10 to 13 for field wiring connections.
5. Install swivel assembly coupling & canopy to the top of the threaded stem using the fixture adapter and secure with set screw (supplied with product).
NOTE: Ensure that PTFE tape is present around the thread area of the stem for sealing purpose. If it is missing, make sure to wrap 3 turns of PTFE tape around the stem thread.
6. Feed all fixture wires through the bottom of the stem to the canopy swivel assembly and thread stem to fixture adapter and secure with set screw (supplied with product). Pull down the canopy from the swivel assembly.
NOTE: Cut any excess wire lengths over 6" above mounting plate and strip individual wires being used to 3/8" and re-label the dimming wires for future reference.
7. Secure swivel assembly to the yoke using mounting screws (supplied with product).
8. Make electrical connection of wires from driver & cylinder (Red wire to Red wire, Black wire to Black wire).
NOTE: For Spectra Sync make connections from Red wire to Red wire, Black wire to Black wire, and Blue Wire to Blue wire.
9. Re-attach the canopy by aligning the clip spring over the swivel plate cut-out and rotate the canopy to lock the clip spring over the swivel assembly & ensure all wire connections go inside the canopy.

CAUTION: Do not pinch wires when installing.



LTC3/4/6/RD/SQD
FIG 6.5

PENDANT MOUNT (PCC VARIANTS – FIG 6.6)

1. Unpack the canopy mounting parts bag from the cylinder carton. Detach canopy & swivel assembly from the yoke. Temporarily store the parts & fasteners in a safe place to avoid damage.
2. Secure yoke to ceiling using anchoring hardware (not supplied). For a square cylinder, always ensure the conduit pipe is laid parallel to adjacent wall (Refer to page 3 for Unistrut channel product mounting and open ceiling application). **NOTE:** Selected anchoring hardware must be rated for 80lbs or greater.
3. Secure the driver assembly to the yoke using driver assembly mounting screw (supplied with product). **NOTE (FOR NX ONLY):** Remove the Poly Bag (Contains NX Spare MAC labels) from driver assembly and stick the labels wherever needed for ease of access on MAC information.
4. Make electrical connections using properly sized UL listed wire connectors. Connect the line to the black wire, neutral to the white wire, ground to the green wires, and make any control connections to the proper control wires. Cap off any dimming wires not being used. **NOTE:** Refer to page no. 10 to 13 for field wiring connections.
5. Product is equipped with four filler plates preassembled with canopy. Prior to installing the canopy, configure with appropriate filler plate/U channel layout in order to satisfy the respective application making sure to be mindful of conduit feed locations and fixture orientation, while doing so.
6. To replace the Filler plates with 'U' Channel Inserts, unscrew the filler plate from the canopy and replace it with U channel insert and secure it with same screw (FIG 6.7A & 6.7B).
7. Install swivel assembly coupling & canopy to the top of the threaded stem using the fixture adapter and secure with set screw (supplied with product).
8. Feed all fixture wires through the bottom of the stem to the canopy swivel assembly and thread stem to fixture adapter and secure with set screw (supplied with product). Pull down the canopy from the swivel assembly. **NOTE:** Cut any excess wire lengths over 6" above mounting plate and strip individual wires being used to 3/8" and re-label the dimming wires for future reference.
9. Secure swivel assembly to the yoke using mounting screws (supplied with product).
10. Make electrical connection of wires from driver & cylinder (Red wire to Red wire, Black wire to Black wire). **NOTE:** For Spectra Sync make connections from Red wire to Red wire, Black wire to Black wire, and Blue Wire to Blue wire.
11. Re-attach the canopy by gently pushing against the ceiling & ensure all wire connections go inside the canopy.

CAUTION: Do not pinch wires when installing.

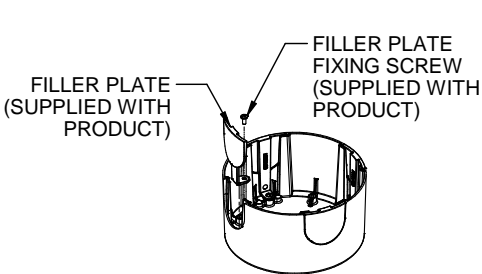


FIG 6.7A

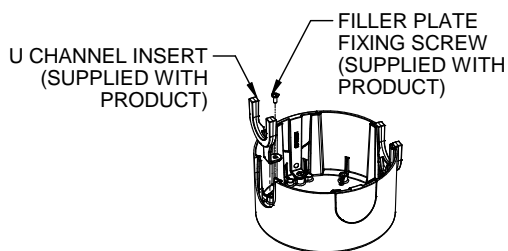
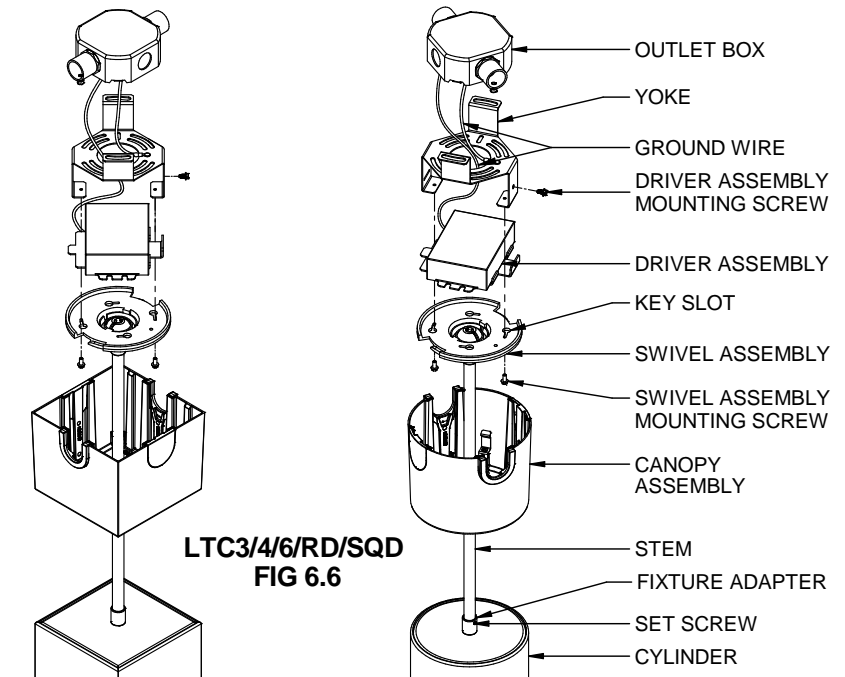


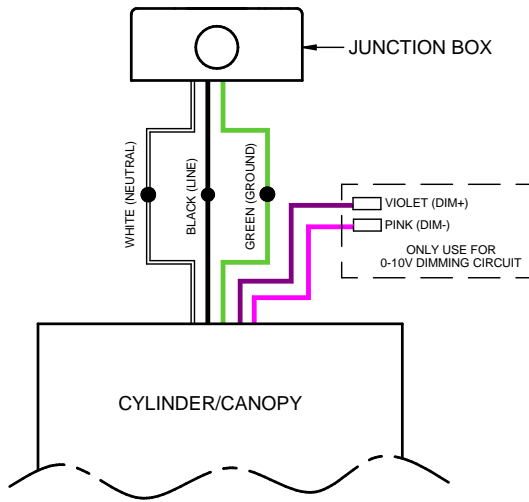
FIG 6.7B



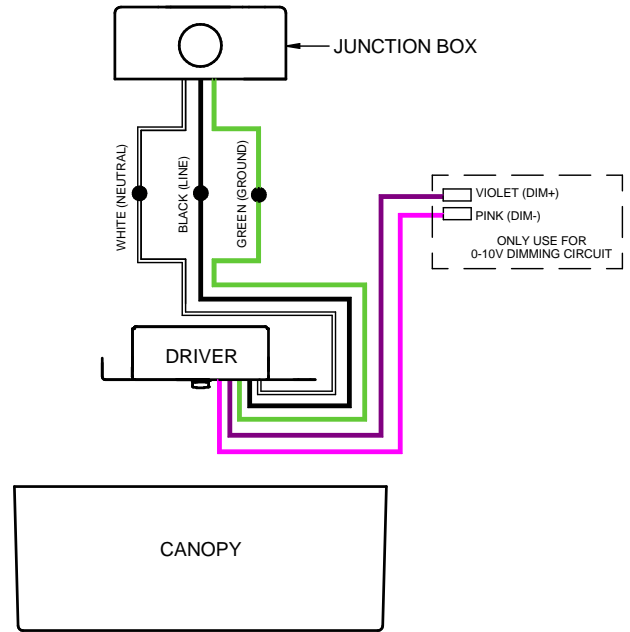
LTC3/4/6/RD/SQD
FIG 6.6

DM1/DM01/DALI/EDM/2DM/347V/DMTW

STD/CC

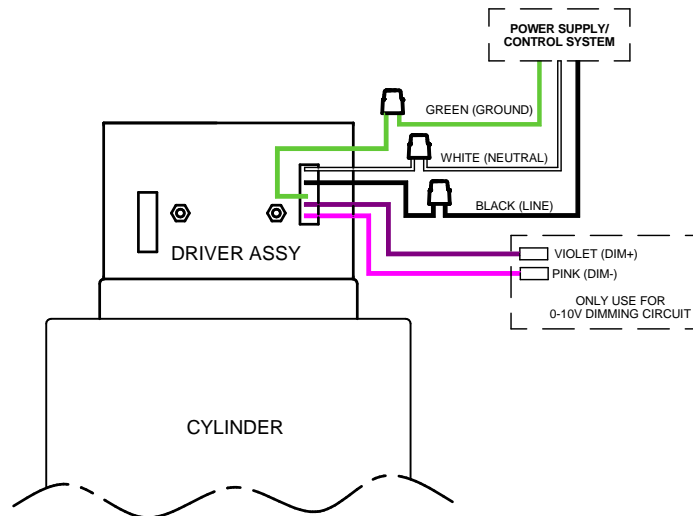


PC/PCC



DM1/DM01/DALI/EDM/2DM/347V/DMTW

RMD

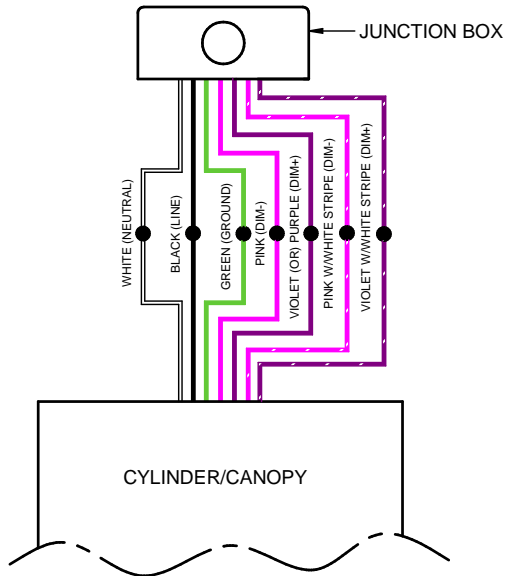


• Prescolite Toll Free Technical Support 1-800-532-1022 •

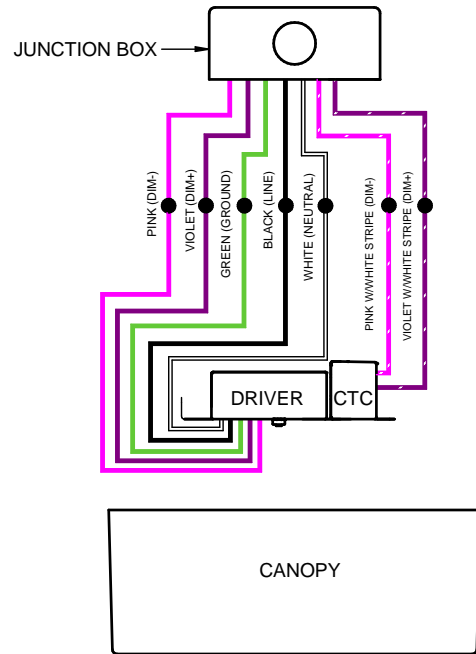
Hours: 8am - 5pm ET

Instructions Sheet

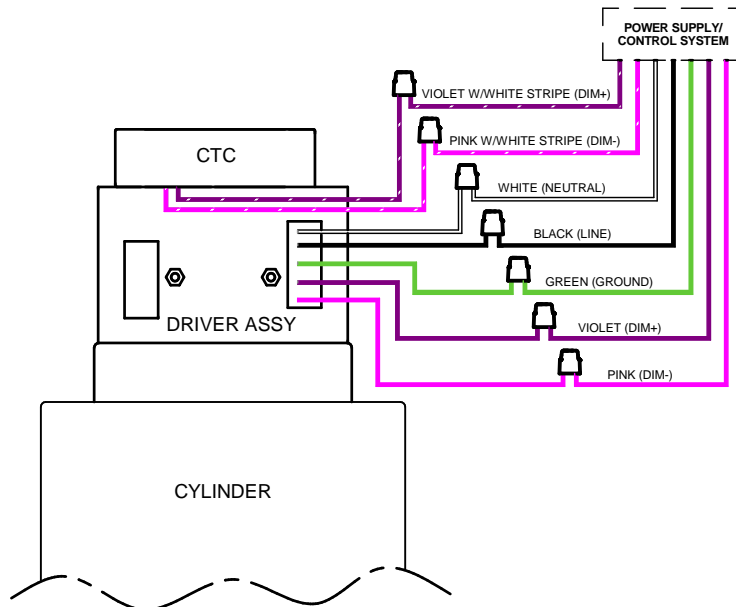
STD/CC - DMT



PC/PCC - DMT

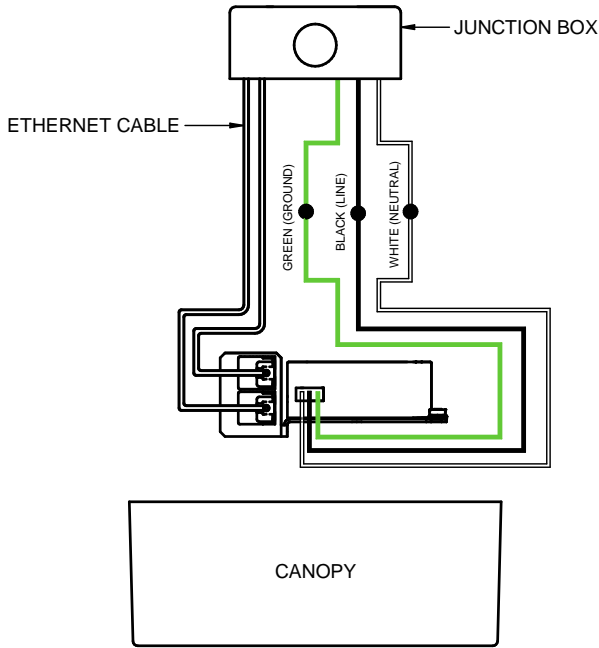


RMD - DMT

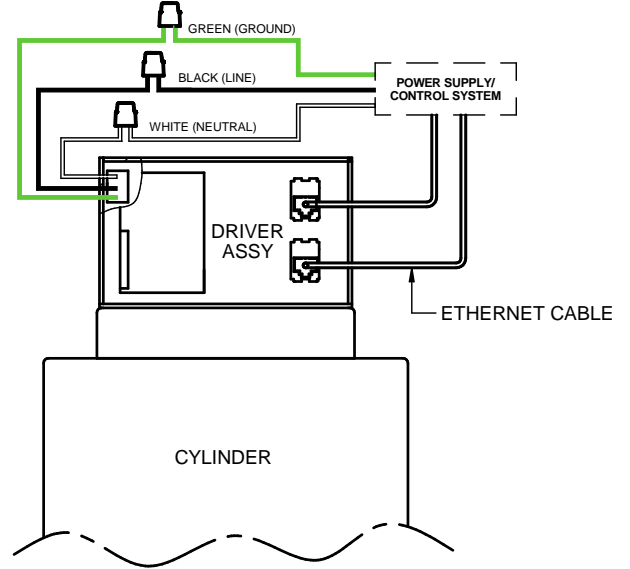


Instructions Sheet

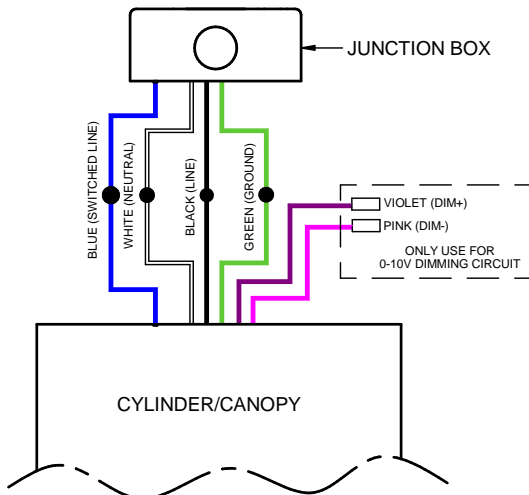
PC/PCC - DMX



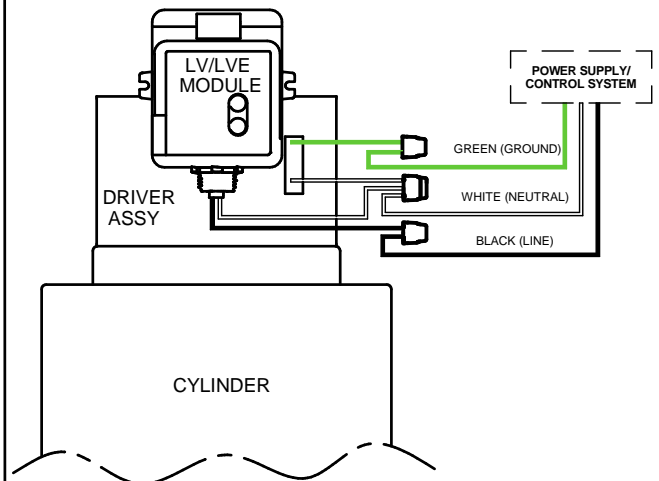
RMD - DMX



STD/CC - EM



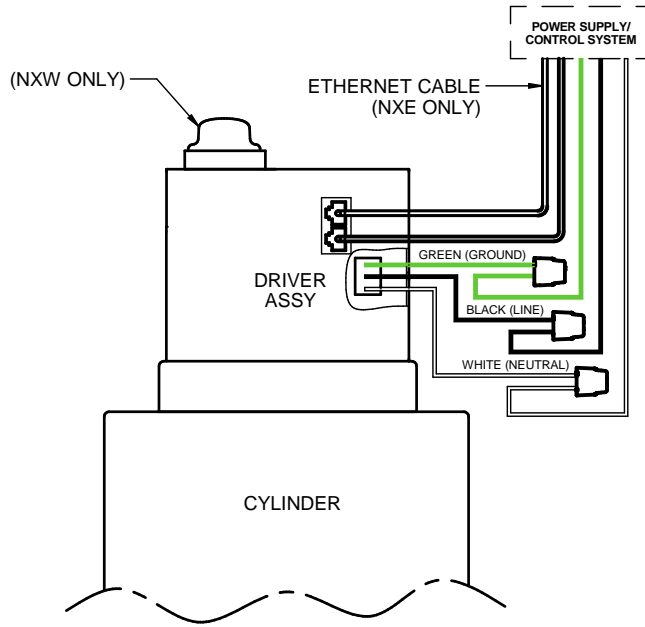
RMD - LV/LVE



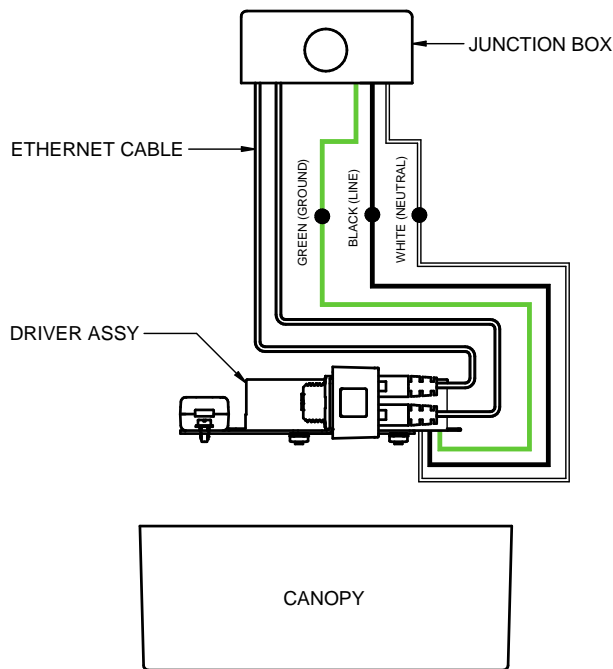
● Prescolite Toll Free Technical Support 1-800-532-1022 ●

Hours: 8am - 5pm ET

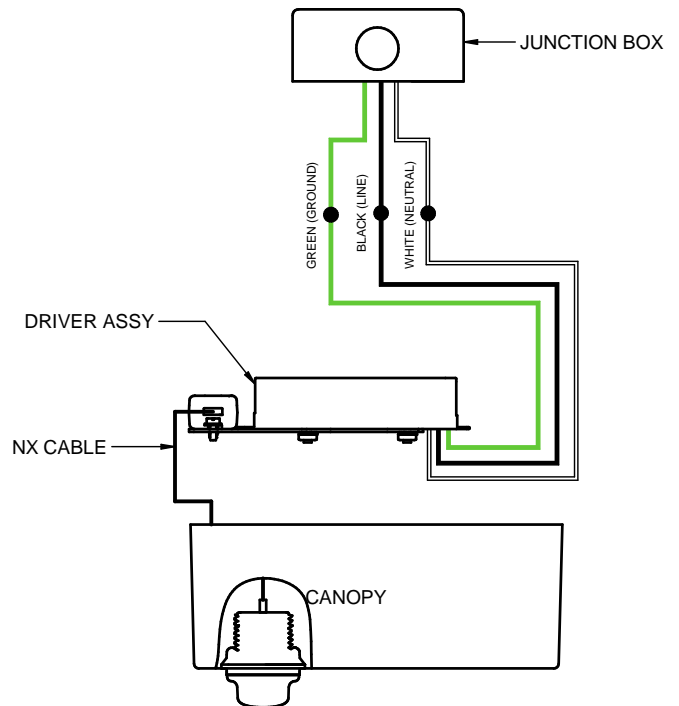
RMD - NXE/NXW



PC/PCC - NXE



PC/PCC - NXW



IMPORTANTES INFORMATIONS SUR LA SÉCURITÉ. LISEZ ET RESPECTEZ TOUTES LES CONSIGNES DE SÉCURITÉ. Lisez les informations et suivez les consignes sur l'étiquette relativement aux emplacements mouillés ou humides, à l'installation à proximité de matériaux combustibles, à l'isolation, aux matériaux de construction et aux ampoules appropriées. Ne pas installer dans des endroits où il y a possibilité de vapeurs ou de gaz combustibles. Avant de relier l'appareil à l'alimentation électrique et pendant son entretien ou le remplacement des ampoules, coupez le courant au niveau du fusible ou du disjoncteur. **Tous les travaux d'entretien et le remplacement d'ampoules doivent être effectués par un personnel d'entretien qualifié. Le produit doit être mis à la terre afin d'éviter les risques d'électrocution ou autres dangers potentiels. Le produit doit être installé dans des endroits et à des hauteurs, ainsi que par des moyens compatibles avec l'usage prévu et ce, en conformité au Code national de l'électricité et aux codes locaux.** L'utilisation d'appareils accessoires non recommandés par le fabricant ou installés contrairement aux instructions peut créer des conditions dangereuses. Ne bloquez pas la lumière émise par le produit, complètement ou partiellement, car cela peut créer des conditions dangereuses. Ne laissez pas des articles tels que des draps, des rideaux ou autres objets semblables entrer en contact avec le produit ou bloquer la lumière émise par celui-ci, car cela peut créer des conditions dangereuses.

DIRECTIVES D'INSTALLATION CYLINDRE LTC3/4/6RD/SQD

ATTENTION : NE PAS TENTER DE MODIFIER NI DE REFAIRE LE CÂBLAGE D'USINE DU LUMINAIRE. LA SÉCURITÉ ET LE BON FONCTIONNEMENT DU LUMINAIRE DÉPENDENT DE L'INTÉGRITÉ DU CÂBLAGE.

AVANT LE MONTAGE : Les cylindres Série LTCRD/SQD sont livrés avec le réflecteur-moteur d'éclairage préinstallé. Toujours vérifier que le réflecteur-moteur d'éclairage est solidement fixé au cylindre et qu'il ne s'est pas desserré durant le transport. Consulter les fig. 1.1 à 1.3

POUR DÉMONTER ENSEMBLE RÉFLECTEUR/MOTEUR LEGER :

1. LTC4/6RD & LTC3/4/6SQD : Tirer l'ensemble réflecteur-moteur d'éclairage vers le bas tout en tenant fermement le cylindre; lorsque le ressort de torsion est visible, le serrer pour détacher complètement.
2. LTC3RD : Tirer l'ensemble réflecteur-moteur d'éclairage vers le bas tout en tenant fermement le cylindre, jusqu'à ce que le coude du ressort coudé soit complètement sorti.

POUR MONTER/REMONTER ENSEMBLE RÉFLECTEUR/MOTEUR LEGER :

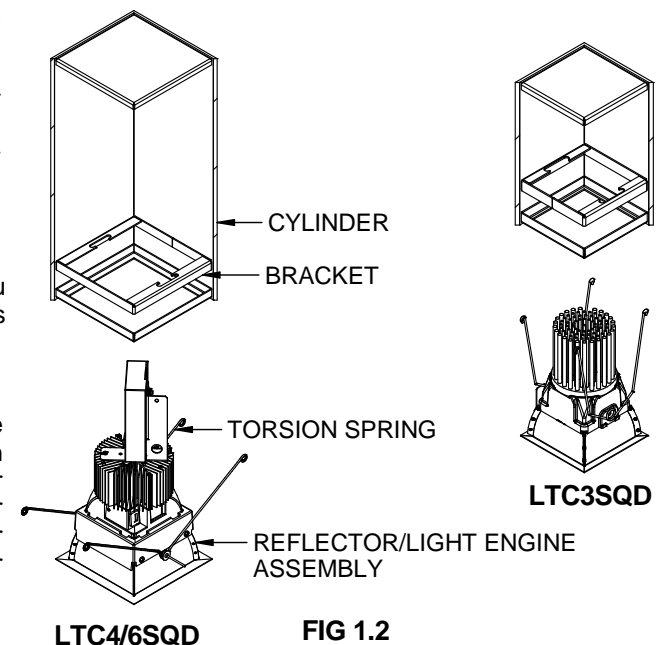
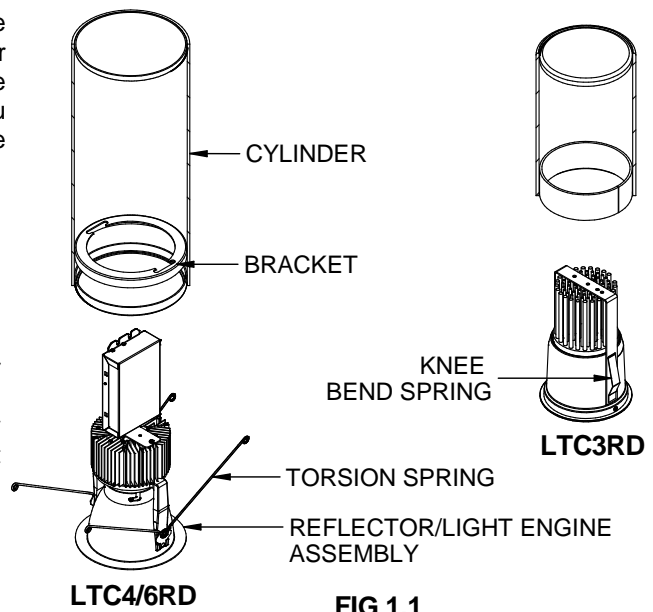
1. LTC4/6RD & LTC3/4/6SQD : Serrer les deux ressorts de torsion l'un vers l'autre et enfiler les extrémités dans deux supports.
2. LTC3RD : Engager l'ensemble réflecteur-moteur d'éclairage avec précaution dans le cylindre.

REMARQUE : Pousser l'ensemble réflecteur-moteur d'éclairage vers le cylindre jusqu'à ce que les ressorts tirent le réflecteur fermement contre le cylindre.

!! Faire preuve de précaution lors de la pose du réflecteur dans le cylindre car les ressorts s'enclenchent en place et peuvent pincer les doigts!!

POUR REMPLACER/REMETTRE À NIVEAU :

Tous les ensembles réflecteur-moteur d'éclairage comportent des connecteurs rapides permettant un accès facile à tous les éléments du moteur d'éclairage et de futurs remplacements. (Pour connaître les pièces de rechange compatibles, voir l'étiquette sur l'ensemble réflecteur-moteur d'éclairage).



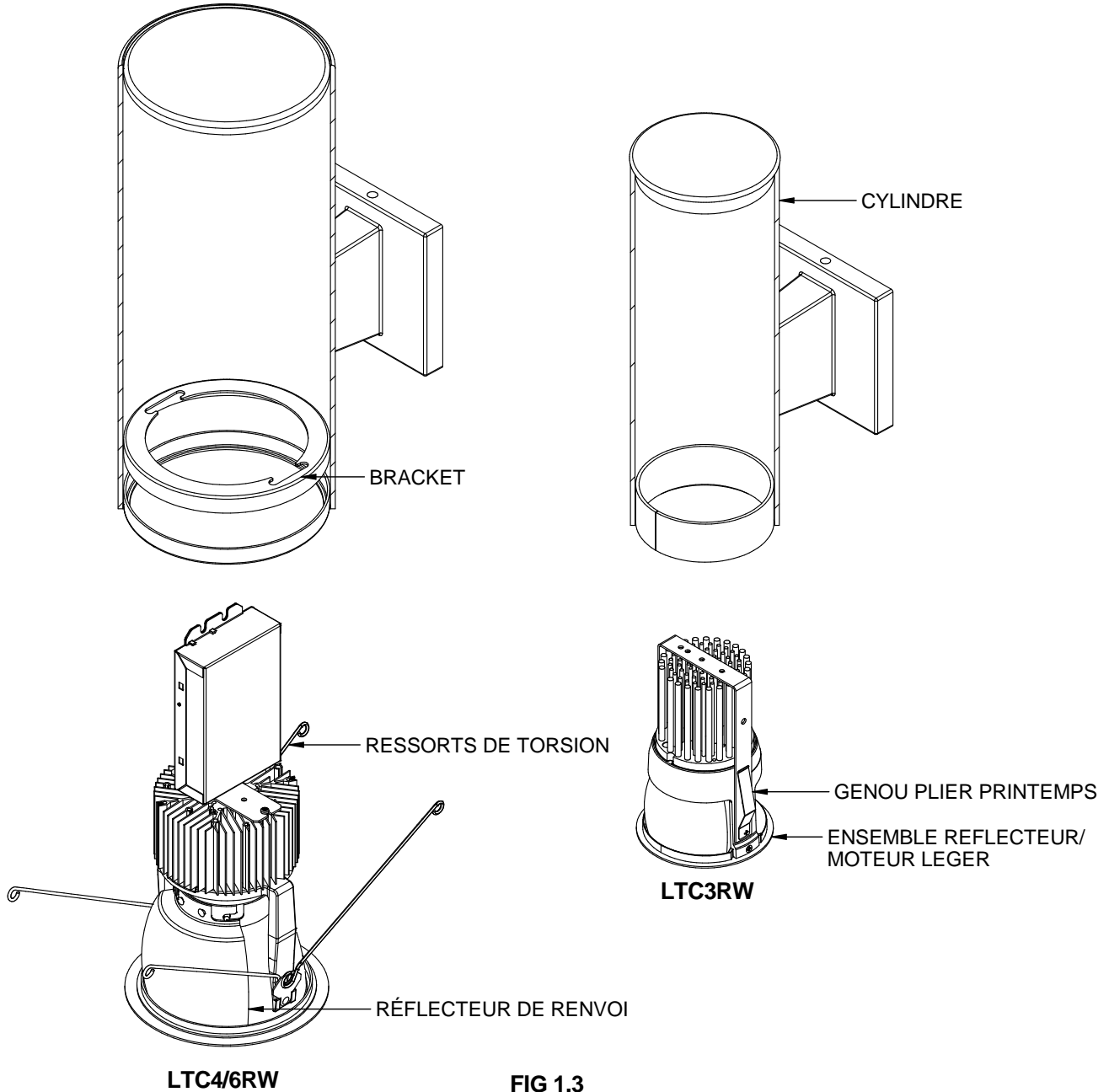
Pour l'option lèche-mur (WW – FIG 1.3) :

L'ensemble de réflecteur lèche-mur est préinstallé afin d'orienter la lumière vers le mur.
(Réflecteur de renvoi du côté opposé à la surface du mur.)

Avant de monter le cylindre sur la surface du mur ou du plafond, noter l'orientation du réflecteur de renvoi.

Au besoin, l'orientation de l'ensemble de réflecteur lèche-mur peut être changée à 180° afin de diriger la lumière à l'écart du mur.

Pour installation en surface (S), pendentif (PM) et cordon (CM) : De légers ajustements de la bande de montage du pavillon peuvent être nécessaires afin de garantir que le réflecteur à tablier soit perpendiculaire à la surface du mur.



● Assistance technique de Prescolite au numéro sans frais 1-800-532-1022 ● Heures: 8 h 00 à 17 h 00 HNE

Pour la fixation sur des montants Unistrut et pour applications de plafond ouvert (seulement pour les variantes P/S/CM) (CC/PCC VARIANTS – figures .1.4,1.5 et 1.6)

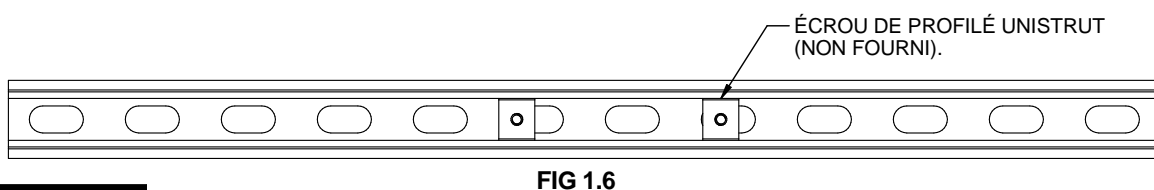
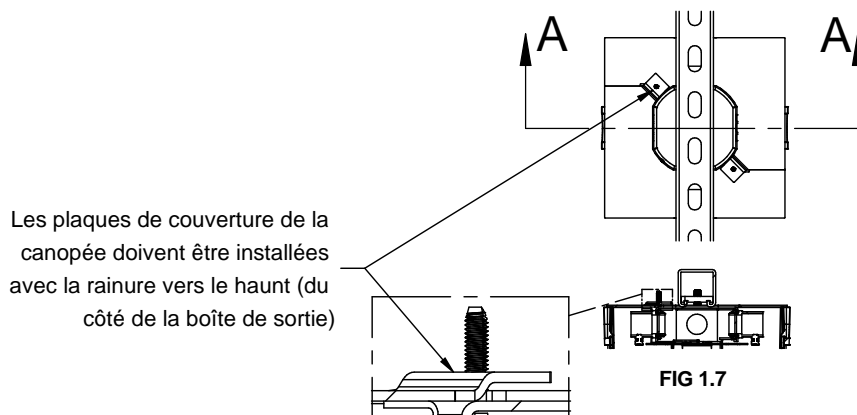
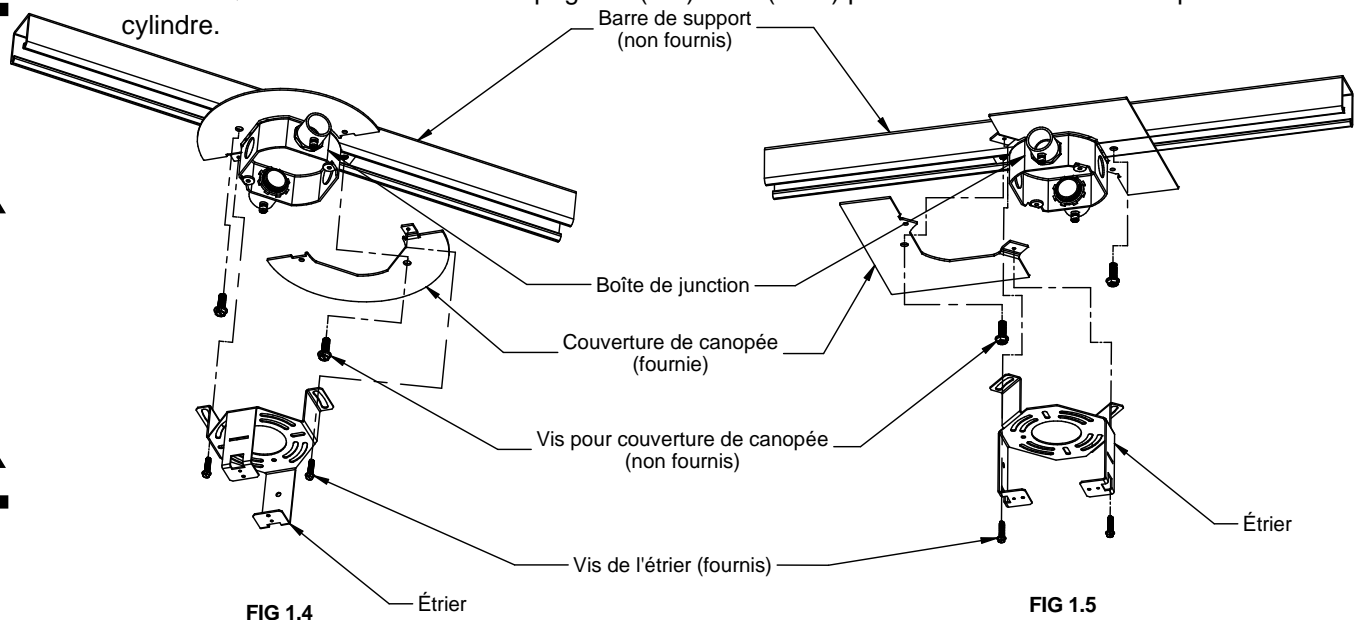
1. Déballez les plaques de couverture de la canopée de l'emballage du cylindre.
2. Dévissez les vis de montage des plaques de couverture de la canopée
3. Fixer les plaques de couverture au barre de support en utilisant des vis appropriés (non fournis) similaires à l'écrou du profilé et aux vis des plaques de couverture de la canopée (montrés ci-dessous).

REMARQUE: La boîte de jonction n'a pas besoin d'être retirée (glisser autour de la boîte) lors de l'installation.

4. Après que les plaques de couverture sont fixées au barre de support, assure que les deux plaques sont assemblées comme indiqué ci-dessous (FIG 1.7).

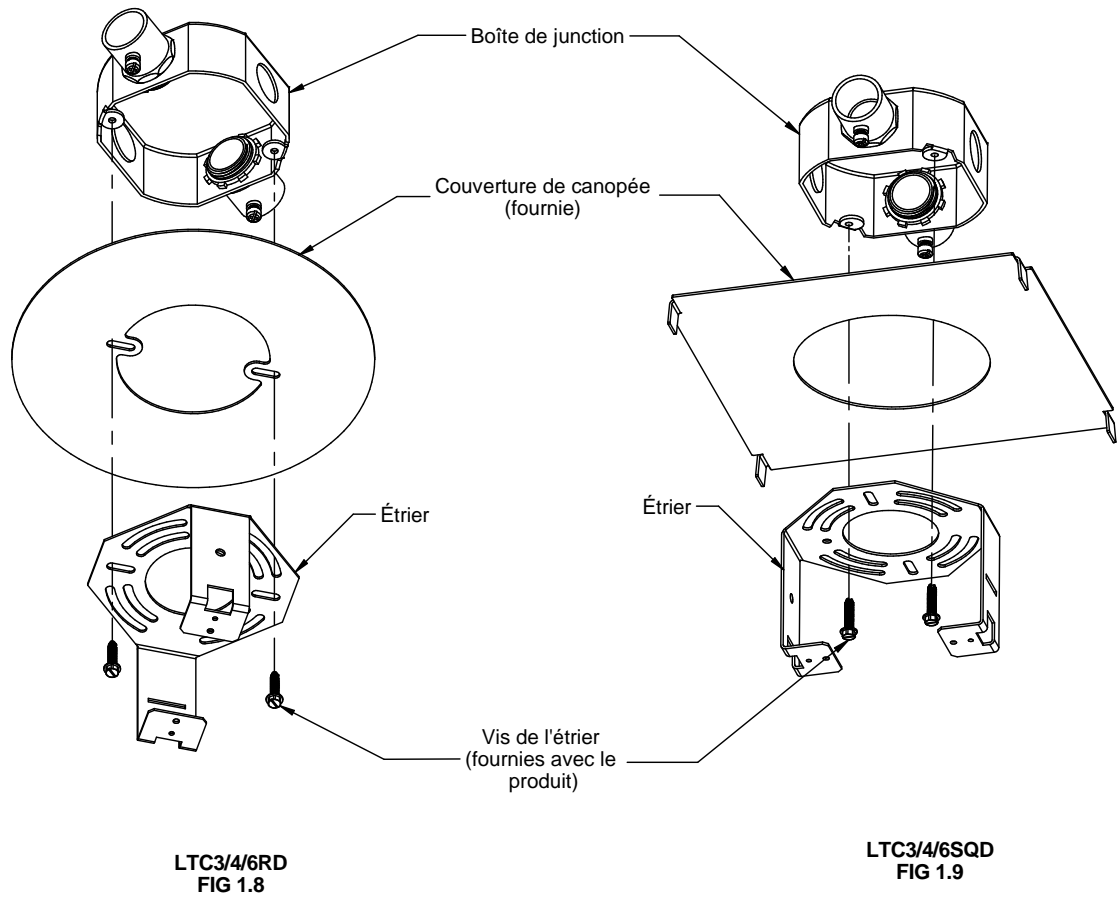
5. Fixer l'étrier aux plaques de couverture de la canopée en utilisant les mêmes vis de l'étrier (fournies avec le produit).

REMARQUE: Veuillez consulter la page 20 (CC) & 22 (PCC) pour l'installation de la canopée et du cylindre.



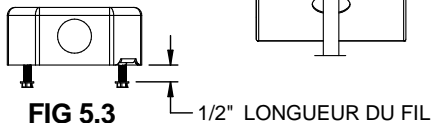
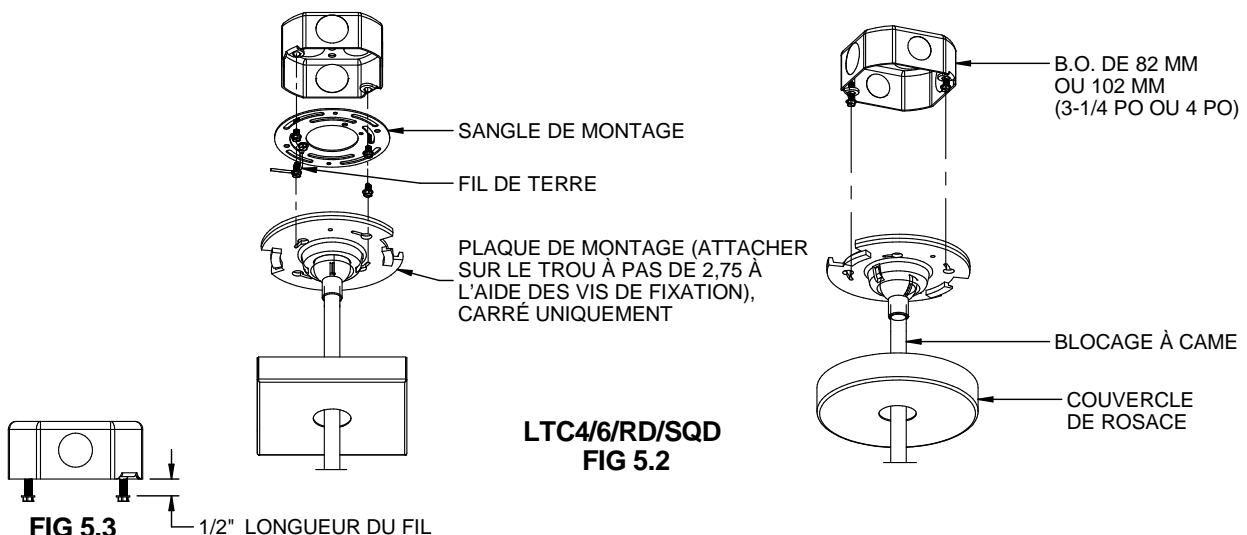
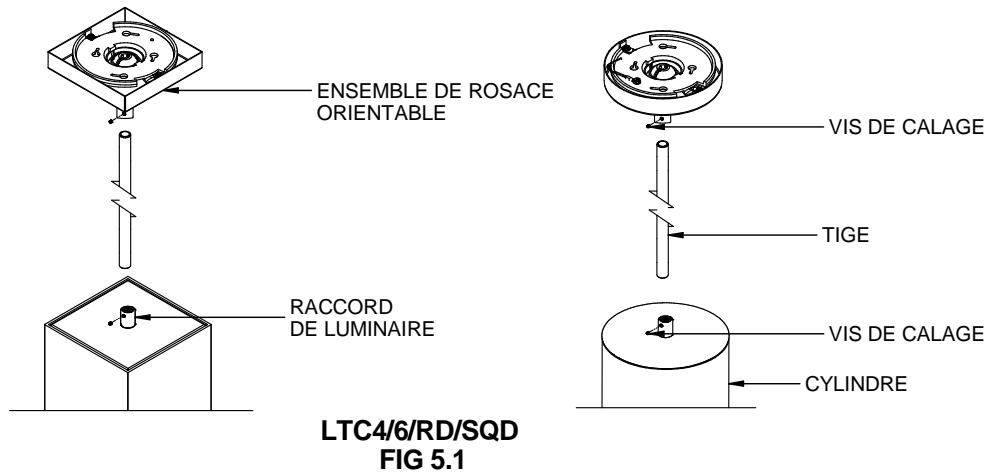
Pour application de plafond ouvert (Uniquement pour les variantes P/S/CM) (variantes PC FIG.1.8 & 1.9)

1. Déballez les plaques de couverture de la canopée de l'emballage du cylindre.
 2. Pour l'application en plafond ouvert, placez la plaque de couverture de la canopée entre l'étrier et la boîte de jonction. Installez les vis de l'étrier pour fixer à la boîte de jonction.
- Remarque: Veuillez consulter la page 21 pour l'installation de la canopée et du cylindre.



SUPPORT DE SUSPENSION (STD VARIANTES – FIG 5.1 & 5.2)

1. Monter la rosace de plafond au sommet de la tige filetée et fixer avec la vis de calage.
REMARQUE : S'assurer qu'il y a du ruban PTFE sur le filetage de la tige afin d'assurer l'étanchéité. S'il n'y en a pas, veiller à bien envelopper le filetage de la tige de 3 tours de ruban PTFE.
 2. Tirer tous les fils du luminaire à travers le bas de la tige et la rosace de plafond, visser la tige dans le raccord de luminaire puis serrer la vis de calage.
REMARQUE: Coupez toute longueur de fil excédentaire de plus de 6 "au-dessus de la plaque de montage et dénudez les fils individuels utilisés à 3/8" et ré-étiquetez les fils de gradation pour référence future.
 3. Tourner et dégager le couvercle de rosace de la plaque de fixation.
 4. Attacher la barrette de fixation à l'aide des vis de boîte de jonction (LTC4/6SQD seulement).
 5. Attacher les vis de la plaque de fixation à la boîte de jonction (cylindres ronds) ou à la barrette de fixation (cylindres carrés, la surface de la barrette de fixation doit être dans le plan de la surface du plafond) en veillant à laisser un minimum de 13 mm (1/2 po) de longueur de filetage des vis sous la barrette de fixation ou la boîte de jonction (FIG 5.3).
 6. Effectuer les raccordements électriques au moyen de connecteurs de câblage homologués UL de taille adaptée. Raccorder la phase au fil noir, le neutre au fil blanc et la mise à la terre aux fils verts, puis effectuer tous les raccordements de commande nécessaires aux conducteurs de commande appropriés. Poser des capuchons sur tous les fils de gradateur inutilisés.
REMARQUE : Voir les raccordements de câblage sur site aux pages 23 et 25.
 7. Engager les trous en poire qui conviennent de la plaque de fixation sur les vis de la boîte de jonction (cylindre rond) ou de la barrette de fixation (cylindre carré) et le tourner pour le bloquer en place, puis serrer les vis.
 8. Remonter la rosace.
- ATTENTION:** Ne pas pincer les fils lors du montage.



SUPPORT DE SUSPENSION (RMD VARIANTES – Fig 6.1)

1. Fixer adéquatement la tige filetée de 1/4-20 (autre fournisseur) à la structure située au-dessus du plafond afin de supporter en toute sécurité le poids du luminaire pour que la tige descende d'au moins 150 mm (6 po) à partir du plafond.
2. Ouvrir le couvercle du boîtier de pilote séparé en saisissant délicatement la bride des deux côtés puis retirer l'opercule défonçable dans la zone de classe 1 pour attacher le conduit métallique au boîtier de pilote.
REMARQUE (NX UNIQUEMENT) : Sortir le sachet (contenant des étiquettes MAC de rechange) du pilote pour apposer les étiquettes où il se doit pour faciliter l'accès aux données MAC
3. Effectuer les raccordements électriques au moyen de connecteurs de câblage homologués UL de taille adaptée. Raccorder la phase au fil noir, le neutre au fil blanc et la mise à la terre aux fils verts, puis effectuer tous les raccordements de commande nécessaires aux conducteurs de commande appropriés. Poser des capuchons sur tous les fils de gradateur inutilisés et Fermer le boîtier de pilote avec précaution.
REMARQUE : Voir les raccordements de câblage sur site aux pages 23 à 26.
4. Insérer le boîtier du pilote à distance et la garniture sur la tige filetée pour que la garniture repose contre le plafond fini. Remarque: Le découpage dans le plafond doit être de 15 cm (6 po) de diamètre. Attacher l'ensemble avec une rondelle et deux écrous (fournis avec le produit) sur la tige filetée de 1/4-20. Le bas de la bride de la boîte de jonction doit être dans le plan ou en retrait de moins de 6 mm (1/4 po) du faux-plafond (Fig. 5.5).
5. Fixer les vis de fixation de cylindre à l'ensemble du pilote à distance (boîte de jonction), en veillant à laisser un minimum de 13 mm (1/2 po) de longueur de filetage des vis de fixation sous la boîte de jonction (FIG 5.4).
6. Monter la rosace de plafond au sommet de la tige filetée et fixer avec la vis de calage.
REMARQUE: Coupez toute longueur de fil excédentaire de plus de 6 "au-dessus de la plaque de montage et dénudez les fils individuels utilisés à 3/8" et ré-étiquetez les fils de gradation pour référence future.
7. Tirer tous les fils du luminaire à travers le bas de la tige et la rosace de plafond, visser la tige dans le raccord de luminaire puis serrer la vis de calage.
REMARQUE : S'assurer qu'il y a du ruban PTFE sur le filetage de la tige afin d'assurer l'étanchéité. S'il n'y en a pas, veiller à bien envelopper le filetage de la tige de 3 tours de ruban PTFE
8. Effectuer le raccordement électrique des conducteurs de la boîte de jonction et du cylindre (fil rouge sur fil rouge et fil noir sur fil noir) et veiller à placer ces raccordements à l'intérieur de la boîte de jonction.
REMARQUE : Pour Spectra Sync, effectuez les connexions du fil rouge au fil rouge, du fil noir au fil noir et du fil bleu au fil bleu.
9. Tourner et dégager le couvercle de rosace de la plaque de fixation. Pour les cylindres carrés, aligner le boîtier de pilote parallèlement au mur adjacent.
10. Aligner les trous en poire appropriés de la plaque de fixation sur les vis de la boîte de jonction de l'ensemble pilote distant et tourner pour bloquer en place, puis serrer les vis.
11. Remonter la rosace.

ATTENTION : Ne pas pincer les fils lors du montage.

LA VIS DE FIXATION DOIT ÊTRE VISSÉE DANS CE TROU SEULEMENT POUR LTC3/4/6/SQD

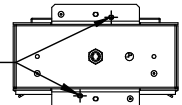
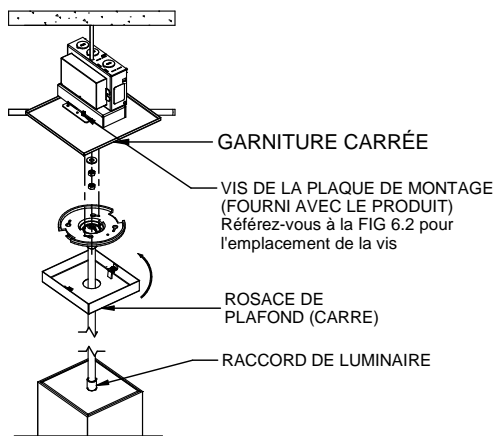


FIG 6.2



LTC3/4/6/RD/SQD
FIG 6.1

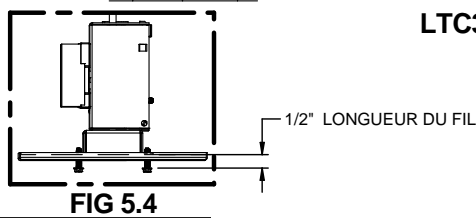
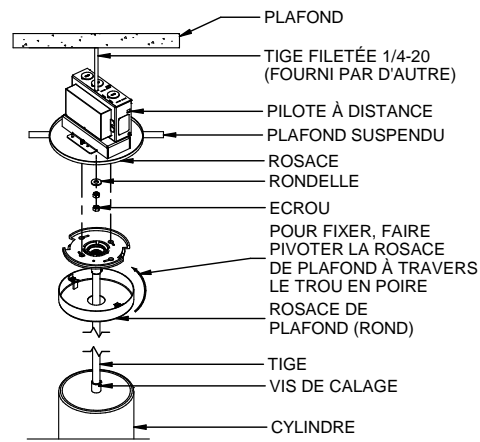


FIG 5.4



PRÉVOIR 3 À 9 MM (1/8 À 3/8 PO) DE LONGUEUR DE TIGE

DOIT ÊTRE DANS LE PLAN OU EN RETRAIT DE MOINS DE 6 MM (1/4 PO)

FIG 5.5

- Déballer le sachet de pièces de fixation de rosace de la boîte d'emballage du cylindre. Détacher l'ensemble rosace-pivot de l'étrier. Conserver temporairement les pièces et la visserie en lieu sûr pour éviter tout dommage.
- Attacher l'étrier au plafond à l'aide de matériel d'ancrage (non fourni). Pour le cylindre à base carrée, toujours s'assurer que la conduite est posé parallèlement au mur adjacent (voir la pose du profilé Unistrut et application plafond ouvert à la page 16).
REMARQUE : Le matériel d'ancrage sélectionné doit avoir une capacité nominale de 36 kg (80 lb) ou plus.
- Le produit est fourni avec quatre plaquettes d'obturation préassemblées sur la rosace. Avant de monter la rosace, configurer les plaquettes d'obturation et les inserts profilés en U comme il se doit en fonction de l'emplacement des conduites d'alimentation et de l'orientation du luminaire.
- Pour remplacer une plaquette d'obturation par un insert en U, dévisser la plaquette d'obturation de la rosace, poser l'insert profilé en U à sa place et l'attacher avec la même vis (FIG 6.4A & 6.4B).
- Installez l'accouplement de l'ensemble pivotant et la rosace sur le dessus de la tige filetée à l'aide de l'adaptateur de fixation et fixez-les avec la vis de réglage (fournie avec le produit).
- Faites passer tous les fils du luminaire à travers le bas de la tige jusqu'à l'assemblage du pivot du rosace et visser la tige à l'adaptateur du luminaire et fixer avec la vis de réglage (fournie avec le produit). Tirez la verrière de l'assemblage pivotant.
REMARQUE: Coupez toute longueur de fil excédentaire de plus de 6 "au-dessus de la plaque de montage et dénuder les fils individuels utilisés à 3/8" et ré-étiqueter les fils de gradation pour référence future.
- Attacher le pivot à l'étrier à l'aide des vis de fixation (fournies avec le produit).
- Effectuer les raccordements électriques au moyen de connecteurs de câblage homologués UL de taille adaptée. Raccorder la phase au fil noir, le neutre au fil blanc et la mise à la terre aux fils verts, puis effectuer tous les raccordements de commande nécessaires aux conducteurs de commande appropriés. Poser des capuchons sur tous les fils de gradateur inutilisés.
REMARQUE : Voir les raccordements de câblage sur site aux pages 23 et 25.
- Rattacher la rosace en la poussant délicatement contre le plafond, en veillant à placer tous les raccordements de conducteurs à l'intérieur de la rosace.

ATTENTION : Ne pas pincer les fils lors du montage.

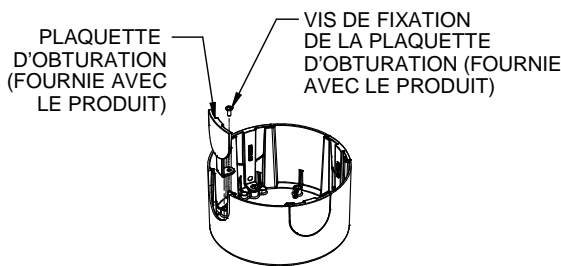


FIG 6.4A

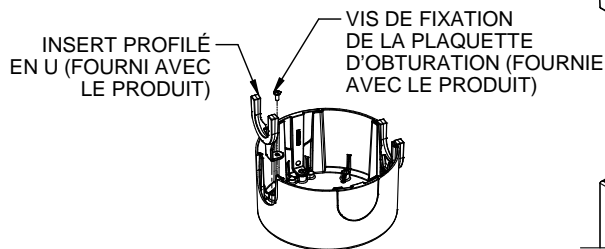
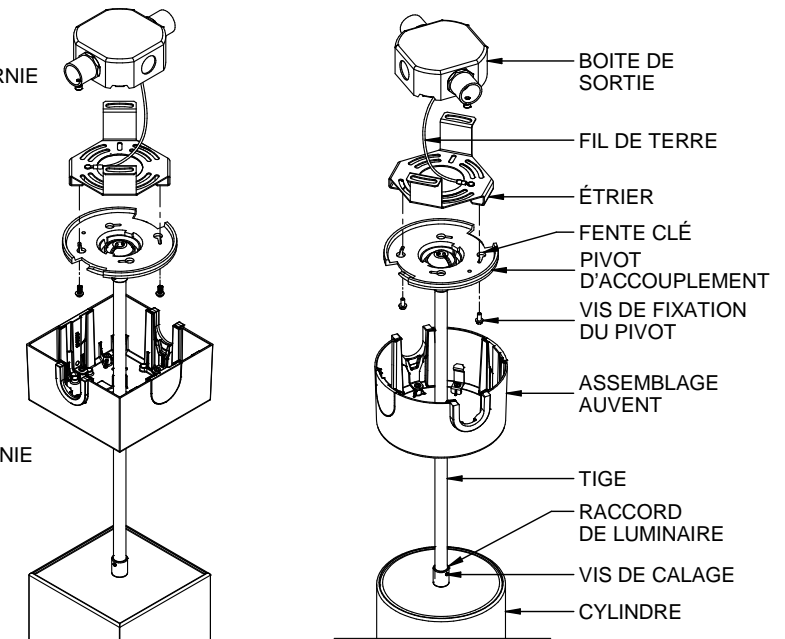


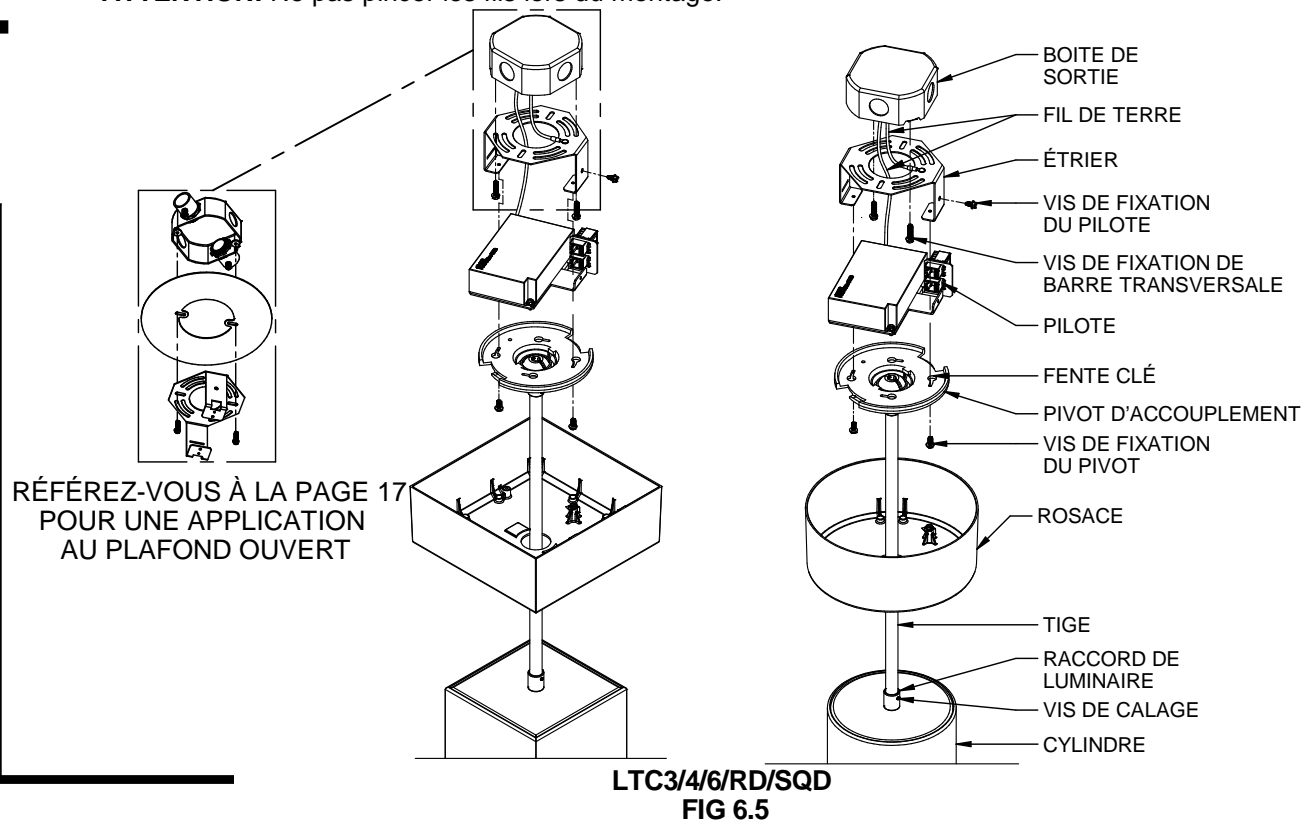
FIG 6.4B



LTC4/6/RD/SQD
FIG 6.3

SUPPORT DE SUSPENSION (PC VARIANTES – FIG 6.5)

1. Déballez le sachet de pièces de fixation de rosace de la boîte d'emballage du cylindre. Détachez l'ensemble rosace-pivot de l'étrier. Conservez temporairement les pièces et la visserie en lieu sûr pour éviter tout dommage.
2. Montez l'étrier sur la boîte de jonction à l'aide des vis de fixation qui conviennent (fournies avec le produit). Pour le cylindre à base carrée, il peut être nécessaire d'ajuster l'étrier en fonction de l'orientation souhaitée. (voir application plafond ouvert à la page 17)
3. Attachez le pilote à l'étrier à l'aide de la vis de fixation de pilote (fournie avec le produit).
REMARQUE (NX UNIQUEMENT) : Sortir le sachet (contenant des étiquettes MAC de rechange) du pilote pour apposer les étiquettes où il se doit pour faciliter l'accès aux données MAC.
4. Effectuez les raccordements électriques au moyen de connecteurs de câblage homologués UL de taille adaptée. Raccordez la phase au fil noir, le neutre au fil blanc et la mise à la terre aux fils verts, puis effectuez tous les raccordements de commande nécessaires aux conducteurs de commande appropriés. Poser des capuchons sur tous les fils de gradateur inutilisés.
5. Installez l'accouplement de l'ensemble pivotant et le rosace sur le dessus de la tige filetée à l'aide de l'adaptateur de fixation et fixez-les avec la vis de réglage (fournie avec le produit).
REMARQUE : S'assurer qu'il y a du ruban PTFE sur le filetage de la tige afin d'assurer l'étanchéité. S'il n'y en a pas, veillez à bien envelopper le filetage de la tige de 3 tours de ruban PTFE.
6. Faites passer tous les fils du luminaire à travers le bas de la tige jusqu'à l'assemblage du pivot du rosace et vissez la tige à l'adaptateur du luminaire et fixer avec la vis de réglage (fournie avec le produit). Tirez la verrière de l'assemblage pivotant.
REMARQUE: Coupez toute longueur de fil excédentaire de plus de 6 "au-dessus de la plaque de montage et dénudez les fils individuels utilisés à 3/8" et ré-étiqueter les fils de gradation pour référence future.
7. Attachez le pivot à l'étrier à l'aide des vis de fixation (fournies avec le produit).
8. Effectuez le raccordement électrique des conducteurs de la boîte de jonction et du cylindre (fil rouge sur fil rouge et fil noir sur fil noir).
REMARQUE : Pour Spectra Sync, effectuez les connexions du fil rouge au fil rouge, du fil noir au fil noir et du fil bleu au fil bleu. Voir les raccordements de câblage sur site aux pages 23 à 26.
9. Rattachez la rosace en alignant le clip à ressort sur l'encoche de la plaque de pivot et faire pivoter la rosace pour enclencher le clip à ressort sur le pivot d'accouplement, en veillant à placer tous les raccordements de conducteurs à l'intérieur de la rosace.
ATTENTION: Ne pas pincer les fils lors du montage.



SUPPORT DE SUSPENSION (PCC VARIANTES – FIG 6.6)

- Déballer le sachet de pièces de fixation de rosace de la boîte d'emballage du cylindre. Détacher l'ensemble rosace-pivot de l'étrier. Conserver temporairement les pièces et la visserie en lieu sûr pour éviter tout dommage.
- Attacher l'étrier au plafond à l'aide de matériel d'ancrage (non fourni). Pour le cylindre à base carrée, toujours s'assurer que la conduite est posé parallèlement au mur adjacent (voir la pose du profilé Unistrut et application plafond ouvert à la page 16).
REMARQUE : Le matériel d'ancrage sélectionné doit avoir une capacité nominale de 36 kg (80 lb) ou plus.
- Attacher le pilote à l'étrier à l'aide de la vis de fixation de pilote (fournie avec le produit).
REMARQUE (NX UNIQUEMENT) : Sortir le sachet (contenant des étiquettes MAC de rechange) du pilote pour apposer les étiquettes où il se doit pour faciliter l'accès aux données MAC.
- Effectuer les raccordements électriques au moyen de connecteurs de câblage homologués UL de taille adaptée. Raccorder la phase au fil noir, le neutre au fil blanc et la mise à la terre aux fils verts, puis effectuer tous les raccordements de commande nécessaires aux conducteurs de commande appropriés. Poser des capuchons sur tous les fils de gradateur inutilisés.
- Le produit est fourni avec quatre plaquettes d'obturation préassemblées sur la rosace. Avant de monter la rosace, configurer les plaquettes d'obturation et les inserts profilés en U comme il se doit en fonction de l'emplacement des conduites d'alimentation et de l'orientation du luminaire.
- Pour remplacer une plaquette d'obturation par un insert en U, dévisser la plaquette d'obturation de la rosace, poser l'insert profilé en U à sa place et l'attacher avec la même vis (FIG 6.8A & 6.8B).
- Installez l'accouplement de l'ensemble pivotant et le rosace sur le dessus de la tige filetée à l'aide de l'adaptateur de fixation et fixez-les avec la vis de réglage (fournie avec le produit).
- Faites passer tous les fils du luminaire à travers le bas de la tige jusqu'à l'assemblage du pivot du rosace et visser la tige à l'adaptateur du luminaire et fixer avec la vis de réglage (fournie avec le produit). Tirez la verrière de l'assemblage pivotant.
REMARQUE: Coupez toute longueur de fil excédentaire de plus de 6 "au-dessus de la plaque de montage et dénuder les fils individuels utilisés à 3/8" et ré-étiqueter les fils de gradation pour référence future.
- Attacher le pivot à l'étrier à l'aide des vis de fixation (fournies avec le produit).
- Effectuer le raccordement électrique des conducteurs de la boîte de jonction et du cylindre (fil rouge sur fil rouge et fil noir sur fil noir).
REMARQUE : Pour Spectra Sync, effectuez les connexions du fil rouge au fil rouge, du fil noir au fil noir et du fil bleu au fil bleu. Voir les raccordements de câblage sur site aux pages 23 à 26.
- Rattacher la rosace en la poussant délicatement contre le plafond, en veillant à placer tous les raccordements de conducteurs à l'intérieur de la rosace.
ATTENTION: Ne pas pincer les fils lors du montage.



FIG 6.7A

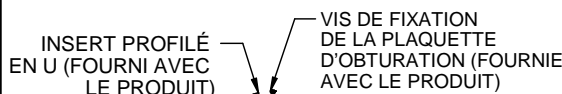
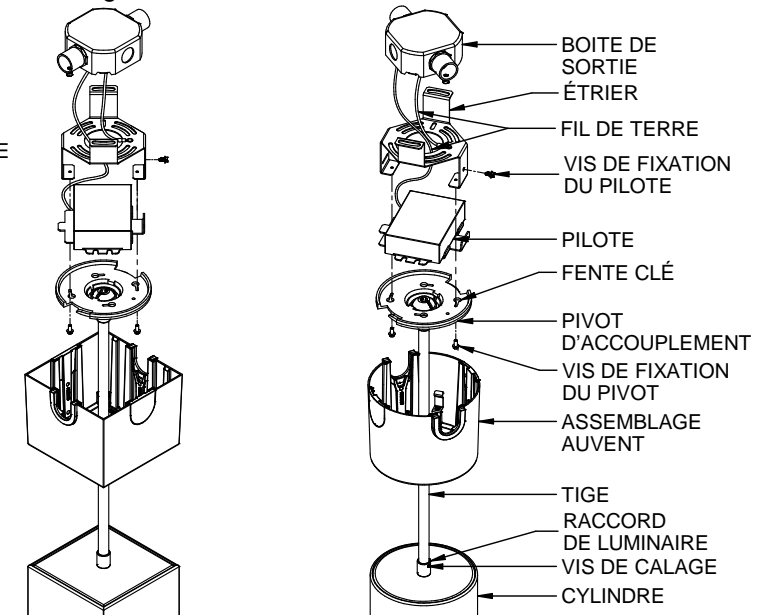


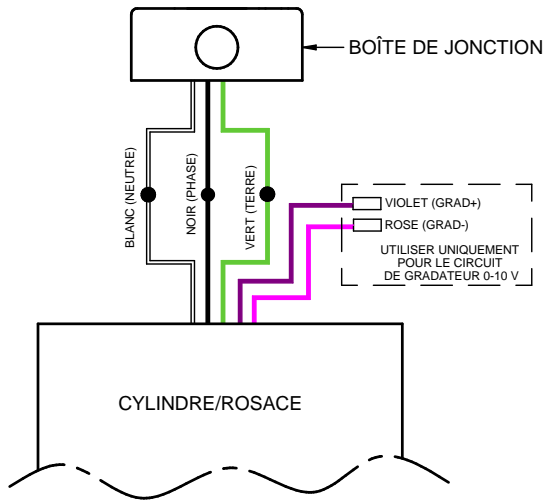
FIG 6.7B



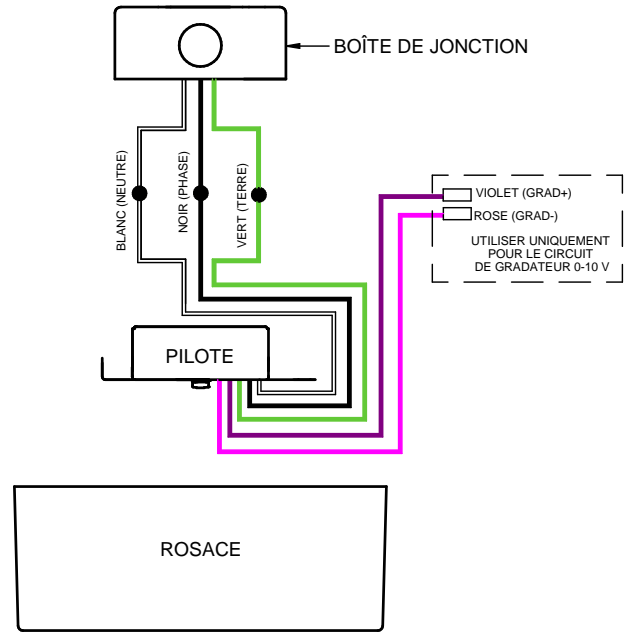
LTC3/4/6/RD/SQD
FIG 6.6

DM1/DM01/DALI/EDM/2DM/347V/DMTW

STD/CC

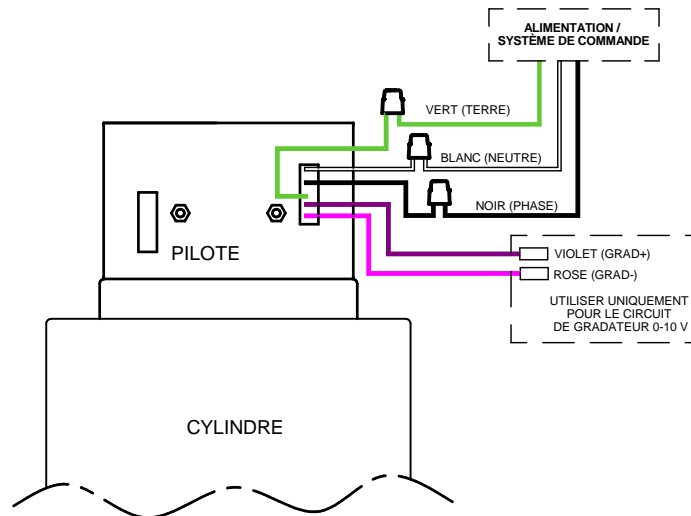


PC/PCC



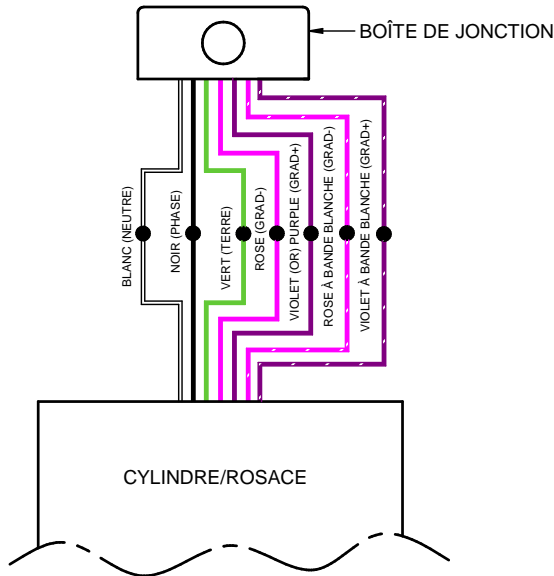
DM1/DM01/DALI/EDM/2DM/347V/DMTW

RMD

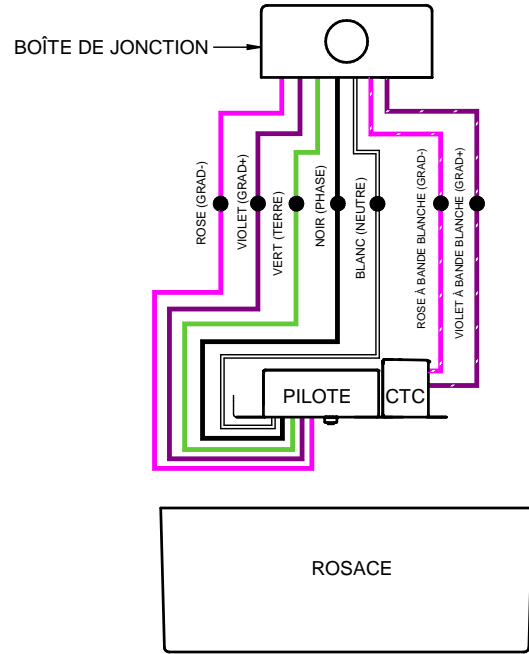


• Assistance technique de Prescolite au numéro sans frais 1-800-532-1022 • Heures: 8 h 00 à 17 h 00 HNE

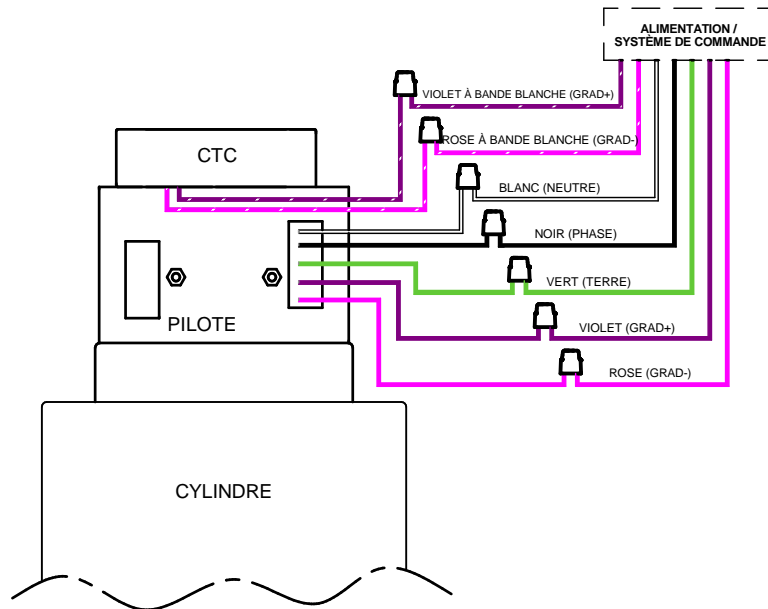
STD/CC - DMT



PC/PCC - DMT

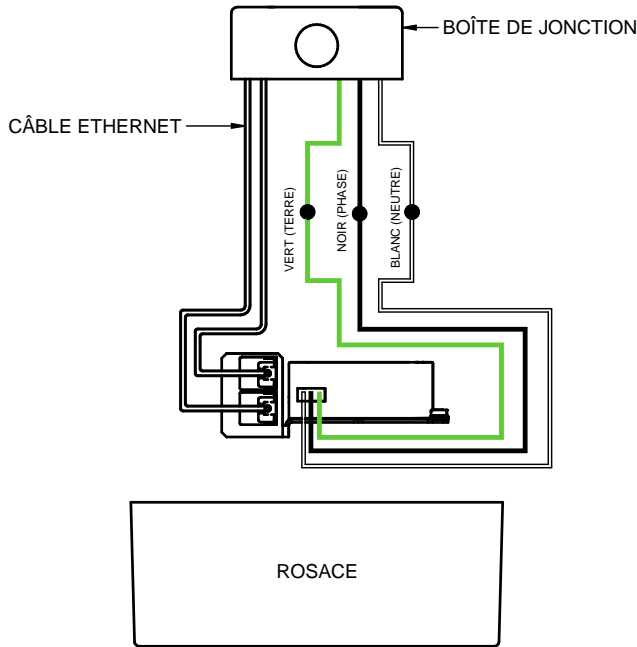


RMD - DMT

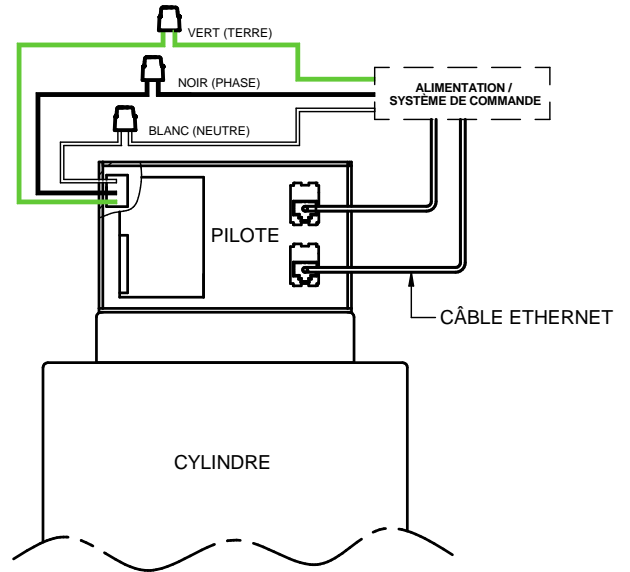


Assistance technique de Prescolite au numéro sans frais 1-800-532-1022 • Heures: 8 h 00 à 17 h 00 HNE

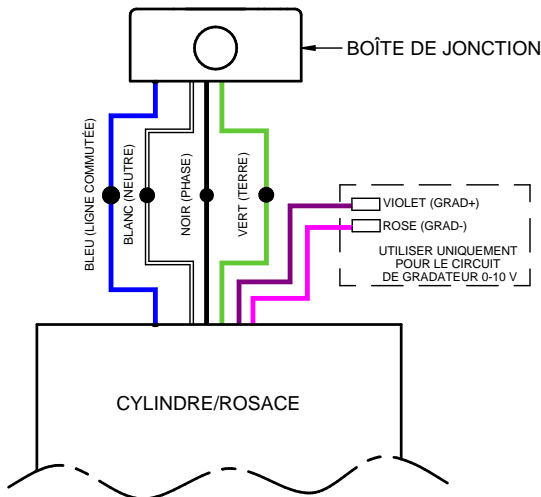
PC/PCC - DMX



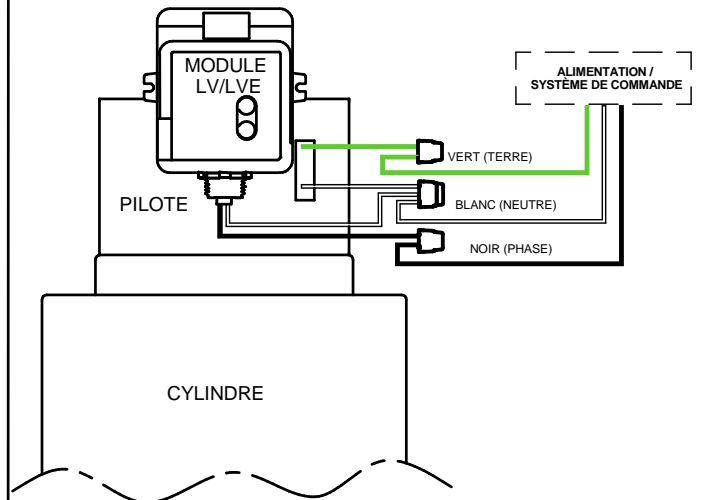
RMD - DMX



STD/CC - EM

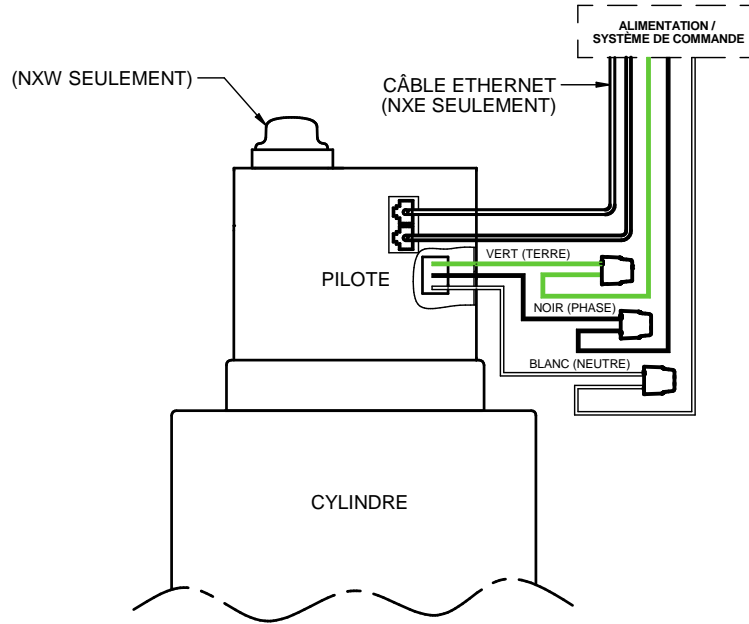


RMD - LV/LVE

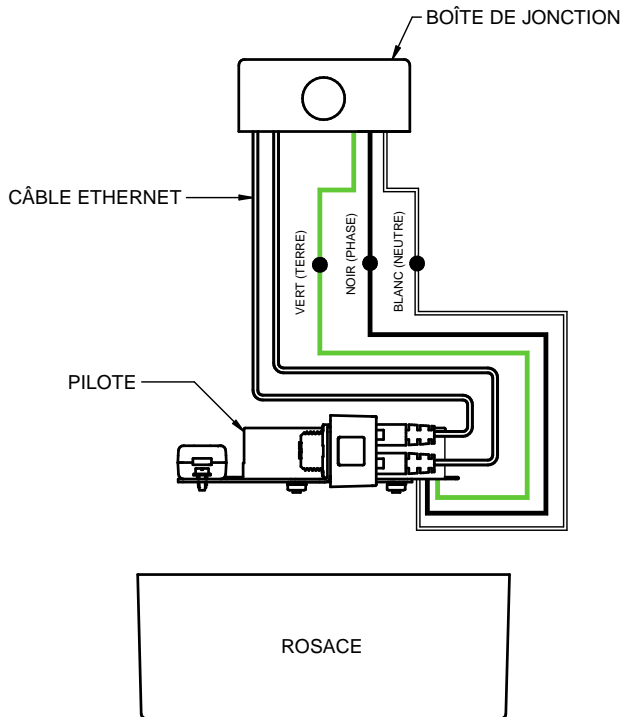


• Assistance technique de Prescolite au numéro sans frais 1-800-532-1022 • Heures: 8 h 00 à 17 h 00 HNE

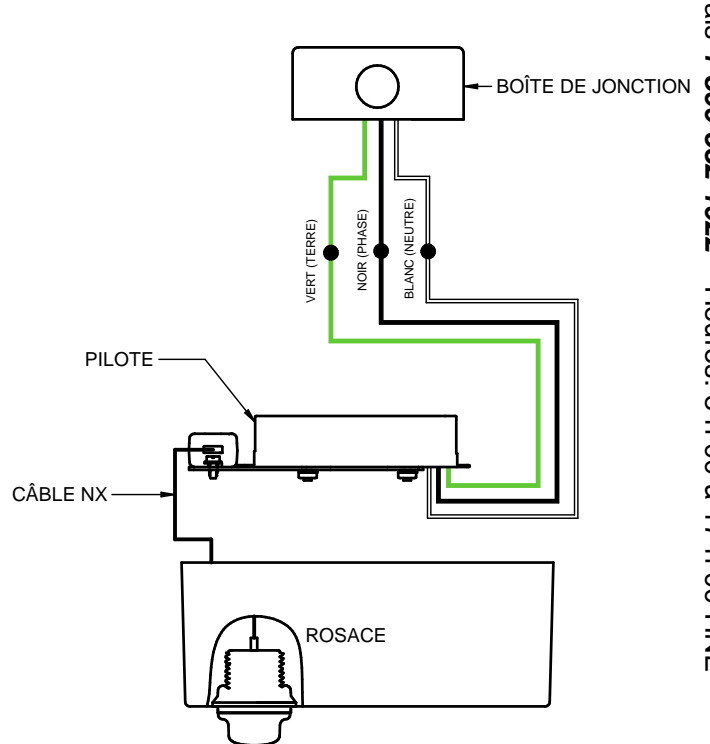
RMD - NXE/NXW



PC/PCC - NXE



PC/PCC - NXW



• Assistance technique de Prescolite au numéro sans frais 1-800-532-1022 • Heures: 8 h 00 à 17 h 00 HNE