

FEATURES

- 6" architectural LED downlight and wall wash cylinder delivering 600–7000 lm
- Five beam distributions from 0.3 to 1.1 Spacing Criteria
- Quiet reflector appearance with 50° optical cutoff
- 2700K–5000K, 80+ and 90+ CRI options
- Available in Surface, Wall, Pendant, or Cord Mount configurations
- Versatile canopy options for recessed and surface-mounted J-box applications
- Variety of dimming protocol options including 0-10V, DALI, DMX, and Lutron EcoSystem



(Select Models)



See Certification Specifications

LITEISTRY™



CONTROL TECHNOLOGY



SPECIFICATIONS

CONSTRUCTION

- Seamless heavy gauge aluminum cylinder body with a clean appearance
- Available in Surface (S), Wall (W), Pendant (P), or Cord (CM) mounting types
- Canopy options include Conduit Canopy (CC), Power Canopy (PC), Power Conduit Canopy (PCC), or Recessed Mount Driver (RMD), (See Dimensions section for details)
- For S, P, or CM mounting with CC or PCC canopy options, use 4" octagonal junction box (by others)
- All Wall Mount: Die cast aluminum mounting arm allows direct mounting to standard 4" octagonal or square junction box
- Pendant Mount canopy options allow sloped ceiling up to 35° (5° for RMD)
- Select from 4 standard architectural painted finishes, Brushed Aluminum, or specified custom color

OPTICS

- Visually pleasing 50° cutoff to source and source image
- The light distribution is free of distracting bright spots or pixelation and the perimeter has a smooth transition
- Optical grade silicone lens integral to light engine
- High purity spun aluminum reflector, self-flanged
- Large selection of anodized finishes and colors
- Painted cones and flange options available

ELECTRICAL

- Chip-on-board (COB) LED with 2 SDCM
- Multiple CCTs, 80+ or 90+ CRI
- Long LED life: L90 at >55,000 (TM-21)
- Universal voltage 120V–277V driver, 347V optional
- UL Class 2, inherent short circuit and overload protection
- Flicker free 0–10V dimming with 1% or <1% performance
- DALI, DMX, and Lutron EcoSystem options

INSTALLATION

- Light Engine/Trim assembly is mechanically secured with torsion springs for ease of installation
- A quick connect is provided for easy maintenance or upgrade
- Recessed Mount Driver (RMD) is accessible from above or below ceiling; assembly mounts with 1/4-20 threaded rod (by others) and requires 6" plenum clearance
- Conduit Canopy options (CC or PCC) allow field selectable conduit entry (up to 4@ 90°) (See Dimensions section)
- Conduit Canopies utilize a patent pending mounting yoke to secure cylinder to the ceiling surface
- Cord can be cut in the field to custom length
- Standard and Custom Pendant lengths available (specify when ordering)

CERTIFICATIONS

- cCSAus certified to UL 1598
- Wall Mount up to 55L (except CC and PC): Suitable for wet locations
- Pendant Mount up to 55L (except CC and PCC): Suitable for wet locations under covered ceiling
- 60L–70L Pendant & Wall, all Surface, Cable/Cord, all Wall Wash, all CC and PCC: Suitable for damp locations
- All with EM options: Suitable for Damp location
- EM: Certified under UL924 standard for emergency lighting and power equipment
- This product qualifies as a “designated country construction material” per FAR 52.225-11 Buy American-Construction. Materials under Trade Agreements effective 6/6/2020.
- ENERGY STAR® certified models available (For list and additional information, visit <http://www.energystar.gov>)

WARRANTY

- 5 year warranty

KEY DATA	
Lumen Range	600–7000
Wattage Range	8–72
Efficacy Range (LPW)	94–104*
Reported Life (Hours)	L90 / >55,000
Input Current (mA)	67–600 (120V)

*Based on Specular, 35K, 80 CRI

LTC-6RDW

LITEISTRY 6" ROUND CYLINDER

DATE: _____ LOCATION: _____

TYPE: _____ PROJECT: _____

CATALOG #: _____

ORDERING GUIDE

Example: LTC-6RD-CM15WHPCC-15L35K9WD-DM1-SS-WH

CATALOG #

LTC-6RD		Cylinder Mounting		Canopy Option		Lumen Output		CCT		CRI	
Aperture/Shape/Function		S	Surface	<i>Refer to chart on Page 3 for available canopy options based on driver/controls selection</i>		06L	600 Lumens ³	27K	2700K	8	80+ CRI
LTC-6RD	6" Round Downlight Cylinder	W	Wall			10L	1000 Lumens ³	30K	3000K	9	90+ CRI
LTC-6RW	6" Round Wall Wash Cylinder	P	Pendant (Standard) Nominal 18" length from cylinder top to ceiling ⁹	<i>Standard Canopy^{3,8}</i>		15L	1500 Lumens ³	35K	3500K		
		P_	Pendant (Custom) Specify length from cylinder top to ceiling in 1 inch increments from 15 to 60 ⁹	CC	Conduit Canopy ^{3,8}	20L	2000 Lumens ³	40K	4000K		
		Cord⁵		PC	Power Canopy ^{3,8}	25L	2500 Lumens ³	50K	5000K ¹		
		CM	6ft Clear Cord	PCC	Power Conduit Canopy ^{3,8}	30L	3000 Lumens ³				
		CMBL	6ft Black Cord	RMD	Recessed Mount Driver ^{3,8}	35L	3500 Lumens ³				
		CMWH	6ft White Cord			40L	4000 Lumens ³				
		CM15	15ft Clear Cord			45L	4500 Lumens ³				
		CM15BL	15ft Black Cord			50L	5000 Lumens ³				
		CM15WH	15ft White Cord			55L	5500 Lumens ³				
						60L	6000 Lumens ^{3,7}				
						70L	7000 Lumens ^{3,7}				

Distribution		Driver Options		Control Options		Voltage		Options		Reflector Finish		Reflector Color	
VNR	Very Narrow (0.3 SC/20°)	DM1	0–10V Dimming to 1% ³	NXE	NX Wired Dual RJ45 SmartPORTS, without Sensor ^{2,3}	<i>Standard 120–277V</i>		EM	Emergency Battery Pack with integral test switch and indicator light ¹¹	<i>Finish not applicable with painted reflectors (WC or BC)</i>		<i>Standard Clear</i>	
NR	Narrow (0.4 SC/29°)	DM01	0–10V Dimming to <1% ³	NXW	NX Networked Wireless Radio Module NXRM2 and Bluetooth Programming, without Sensor ^{2,3}	34	347V ^{3,6}			S	Specular	CG	Champagne Gold
MD	Medium (0.7 SC/53°)	DMX	DMX with RDM dimming to <0.1% ³	LV	Lutron Vive Enabled, 0–10V (requires DM1 driver) ³					SS	Semi-Specular	BL	Black
WD	Wide (1.0 SC/59°)	DALI	DALI Dimming to 1% ³	LVE	Lutron Vive Enabled, EcoSystem, (requires EDM) ³					MFC	American Matte™	LW	Light Wheat
XW	Extra Wide (1.1 SC/66°)	EDM	Lutron Hi-Lume EcoSystem Dimming to 1% ³							VS	Softglow®	PW	Pewter
WW	Wall Wash ^{7,12}									VSS	SoftSheen™	WC	Painted White Cone and Flange
												BC	Painted Black Cone and Flange

Flange Color Options		Exterior Cylinder Color	
<i>Standard matches reflector color</i>		BA	Brushed Aluminum ¹⁰
WT	White Flange ⁴	BZ	Bronze
BT	Black Flange ⁴	BL	Matte Black
		WH	Matte White
		SVR	Silver
		CC_	Custom Color (Specify RAL#, Example: CCRAL1073)
		TCC_	True Custom Color (Specify description, Example: TCC BABY BLUE, Paint chip must be provided to match)

Notes:

- 5000K available in 80+ CRI only.
- NX requires DM1 driver option.
- For lumen outputs/configurations available, see chart on page 3.
- WT not needed for WC, BT not needed for BC.
- Cord can be cut in the field to custom length.
- 347V requires DM1 driver; not available with Controls or EM.
- 60L and 70L require vented cylinder. Not available with WW.
- See Dimensions section for canopy configuration details.
- Stem length varies by canopy configuration. See Dimensions section for details.
- Canopy color for Brushed Aluminum is Black.
- EM for use with DM1 driver option only.
- EM not available with WW.

DRIVER/CONTROL OPTION AVAILABILITY

Driver and Control options listed below are available in the configurations and lumen packages as shown.

Driver/Control Option		Cylinder Mounting ¹	Canopy Options ²	06L	10L	15L	20L	25L	30L	35L	40L	45L	50L	55L	60L	70L ⁶	
DM1	0-10V 1%	W	Standard/CC	●	●	●	●	●	●	●	●	●	●	●	▼	▼	
		P/S/CM	Standard/CC	●	●	●	●	●	●	●	●	●	●	●	▼	▼	
DM01	0-10V <1%	W	Standard/CC	●	●	●	●	●									
		P/S/CM	Standard/CC	●	●	●	●	●									
DALI	DALI 1%	W	Standard/CC	●	●	●	●	●									
		P/S/CM	Standard/CC	●	●	●	●	●									
DMX	DMX w/ RDM <0.1%	W	Standard/CC	●	●	●	●	●	●	●	●	●	●	●			
		P/S/CM	PC/PCC	●	●	●	●	●	●	●	●	●	●	●			
			RMD ⁵	●	●	●	●	●	●	●	●	●	●	●	●		
EDM	Lutron Hi-Lume EcoSystem 1%	W	Standard/CC		●	●	●	●	●								
		P/S/CM	Standard/CC		●	●	●	●	●								
347V ³	347 Volts (DM1 required)	W	Standard/CC	●	●	●	●	●	●								
		P/S/CM	Standard/CC	●	●	●	●	●	●								

NXE	NX (DM1 required)	W	PC/PCC	●	●	●	●									
		P/S/CM	PC/PCC/RMD	●	●	●	●									
NXW	NX Wireless (DM1 required)	W	PC/PCC	●	●	●	●									
		S	RMD	●	●	●	●									
		P/CM	PC/PCC/RMD	●	●	●	●									
LV	Lutron Vive® (DM1 required)	W	N/A													
		P/S/CM	RMD ⁵	●	●	●	●									
LVE	Lutron Vive® (EDM required)	W	N/A													
		P/S/CM	RMD		●	●	●									

Driver/EM Option		Cylinder Mounting ¹	Canopy Options ²	06L	10L	15L	20L	25L	30L							
DM1	0-10V 1%	W	Standard/CC	●	●	●	●	●	▼							
		P/S/CM	Standard/CC	●	●	●	●	●	▼							

- ▼ Vented cylinder required, see line art for more details.
- 1 See Cylinder Mounting chart.
- 2 See Canopy Options chart and Dimensions section for details.
- 3 Not available with Controls or EM.
- 4 RMD is Non-IC rated unless noted.
- 5 IC Rated.

Cylinder Mounting	
W	Wall Mount
S	Surface Mount
CM	Cord Mount
P	Pendant Mount

Canopy Options	
(Blank)	Standard Canopy
CC	Conduit Canopy
PC	Power Canopy
PCC	Power Conduit Canopy
RMD	Recessed Mount Driver ⁴

CONTROLS

NX Lighting Controls:

Supports applications in a variety of deployment options. Integrates with and enables a wide array of luminaires including those with SpectraSync™ Color Tuning Technology.



NX INTEGRATED CONTROLS REFERENCE								
NX Option	Sensor	Networkable	Scheduling	Occupancy	Daylight Harvesting	0-10V Dimming	On/off Control	Bluetooth® App Programming
NX Networked – Wired								
NXE	N/A	Yes	Yes	No	No	Yes	Yes	Requires NXBTC ¹
NX Networked – Wireless								
NXW ²	N/A	Yes	Yes	No	No	Yes	Yes	Yes

1 NXBTC needs to be plugged into an available NX SmartPort™ on the fixture network
 2 Programming via App requires factory assistance

PERFORMANCE DATA TABLE

Performance data provided below is for 3500K, 80 CRI with Specular Clear reflector finish/color

Lumen Package	Nominal Lumens	Distribution	Delivered Lumens	Watts	LPW
06L	600	Very Narrow	806	7.8	103
		Narrow	717	7.8	92
		Medium	746	7.8	96
		Wide	691	7.8	89
		Extra Wide	665	7.8	85
		Open Single Wall Wash	711	7.8	91
10L	1000	Very Narrow	1288	12.0	107
		Narrow	1146	12.0	96
		Medium	1192	12.0	99
		Wide	1104	12.0	92
		Extra Wide	1063	12.0	89
		Open Single Wall Wash	1136	12.0	95
15L	1500	Very Narrow	1851	18.7	99
		Narrow	1623	18.7	87
		Medium	1712	18.7	92
		Wide	1586	18.7	85
		Extra Wide	1527	18.7	82
		Open Single Wall Wash	1631	18.7	87
20L	2000	Very Narrow	2355	22.6	104
		Narrow	2263	22.7	100
		Medium	2265	22.6	100
		Wide	2180	22.7	96
		Extra Wide	2139	22.7	94
		Open Single Wall Wash	2211	22.8	97
25L	2500	Very Narrow	3093	27.7	112
		Narrow	2751	27.7	99
		Medium	2860	27.7	103
		Wide	2650	27.7	96
		Extra Wide	2551	27.7	92
		Open Single Wall Wash	2726	27.7	98
30L	3000	Very Narrow	3686	34.3	107
		Narrow	3278	34.3	96
		Medium	3409	34.3	99
		Wide	3158	34.3	92
		Extra Wide	3040	34.3	89
		Open Single Wall Wash	3248	34.3	95
35L	3500	Very Narrow	4477	43.0	104
		Narrow	3942	43.0	93
		Medium	4477	43.0	104
		Wide	3836	43.0	89
		Extra Wide	3693	43.0	86
		Open Single Wall Wash	3946	43.0	92

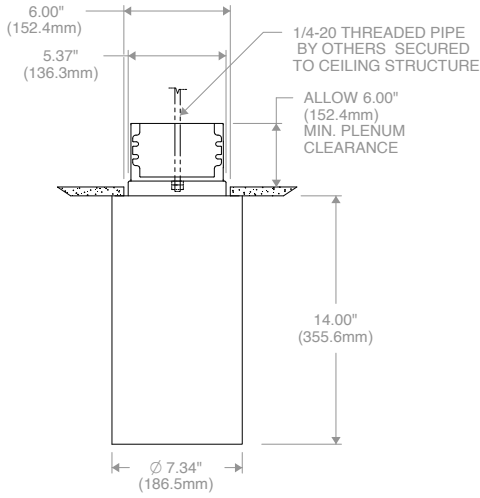
PERFORMANCE DATA TABLE CONTINUED

Performance data provided below is for 3500K, 80 CRI with Specular Clear reflector finish/color

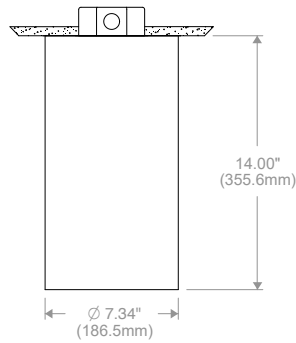
Lumen Package	Nominal Lumens	Distribution	Delivered Lumens	Watts	LPW
40L	4000	Very Narrow	5117	51.6	99
		Narrow	4552	51.6	88
		Medium	4733	51.6	92
		Wide	4385	51.6	85
		Extra Wide	4221	51.6	82
		Open Single Wall Wash	4510	51.6	87
45L	4500	Very Narrow	5371	55.1	98
		Narrow	4775	55.1	87
		Medium	4967	55.1	90
		Wide	4602	55.1	84
		Extra Wide	4430	55.1	80
		Open Single Wall Wash	4734	55.1	86
50L	5000	Very Narrow	5740	48.7	118
		Narrow	5105	48.7	105
		Medium	5308	48.7	109
		Wide	4918	48.7	101
		Extra Wide	4734	48.7	97
		Open Single Wall Wash	5059	48.7	104
55L	5500	Very Narrow	6365	53.9	119
		Narrow	5662	53.9	105
		Medium	5887	53.9	109
		Wide	5454	53.9	101
		Extra Wide	5250	53.9	97
		Open Single Wall Wash	5610	53.9	104
60L	6000	Very Narrow	7090	60.7	117
		Narrow	6299	60.7	104
		Medium	6557	60.7	108
		Wide	6075	60.7	100
		Extra Wide	5848	60.7	96
		Open Single Wall Wash	6249	60.7	103
70L	7000	Very Narrow	8266	72.1	115
		Narrow	7353	72.1	102
		Medium	7645	72.1	106
		Wide	7083	72.1	98
		Extra Wide	6819	72.1	95
		Open Single Wall Wash	7285	72.1	101

DIMENSIONS

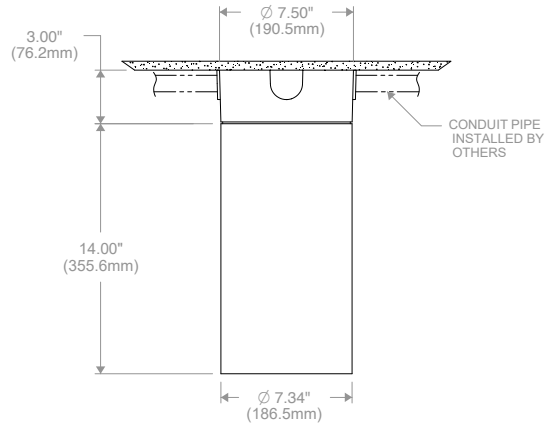
SURFACE (S)



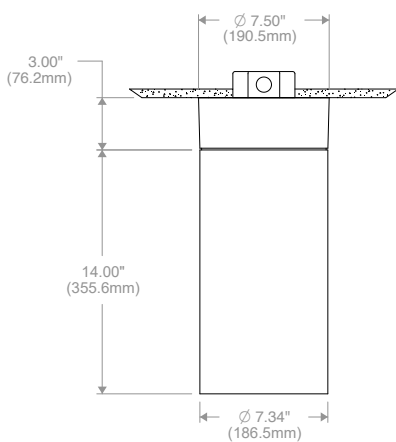
**Surface
Recessed Mount Driver
SRMD**



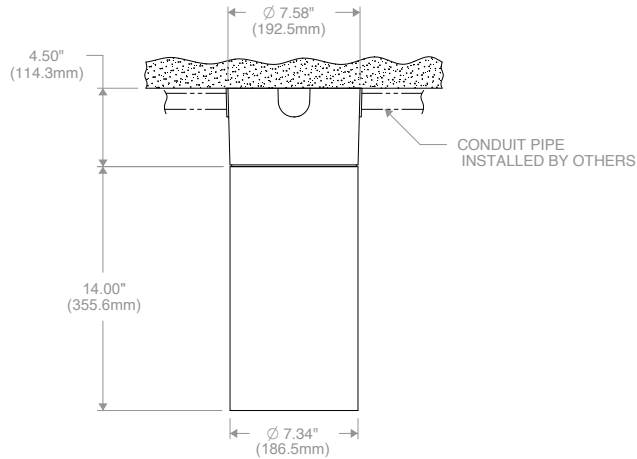
**Surface
Standard Canopy
S**



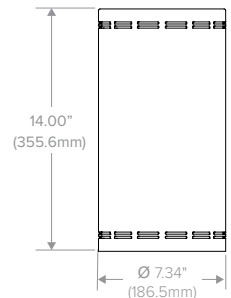
**Surface
Conduit Canopy
SCC**



**Surface
Power Canopy
SPC**



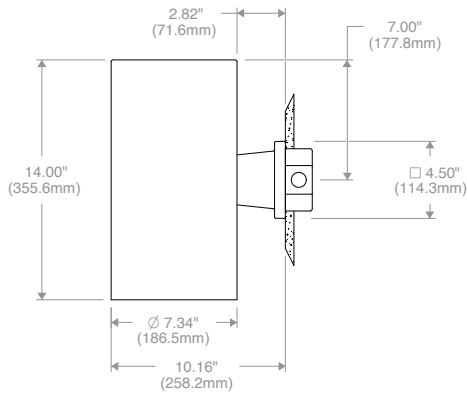
**Surface
Power Conduit Canopy
SPCC**



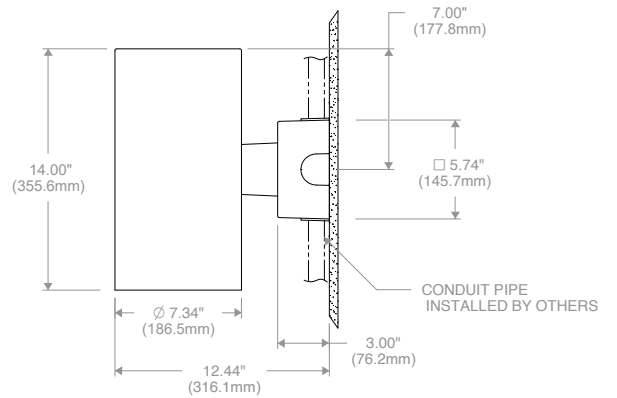
**Vented Detail View
(60L & 70L)
(All Mountings)**

DIMENSIONS

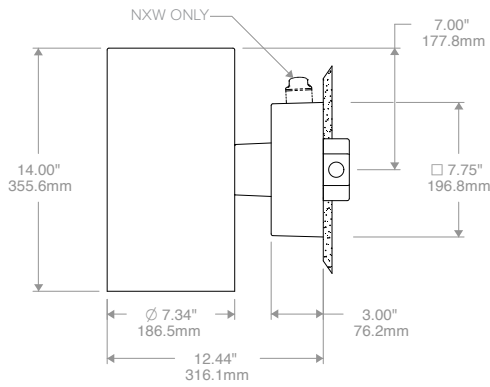
WALL (W)



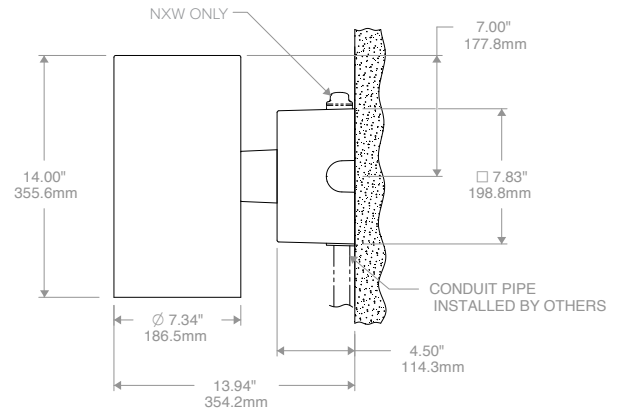
**Wall
Standard Canopy
W**



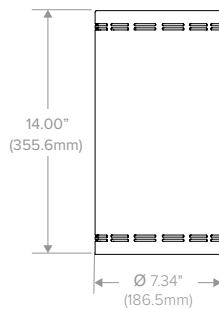
**Wall
Conduit Canopy
WCC**



**Wall
Power Canopy
WPC**



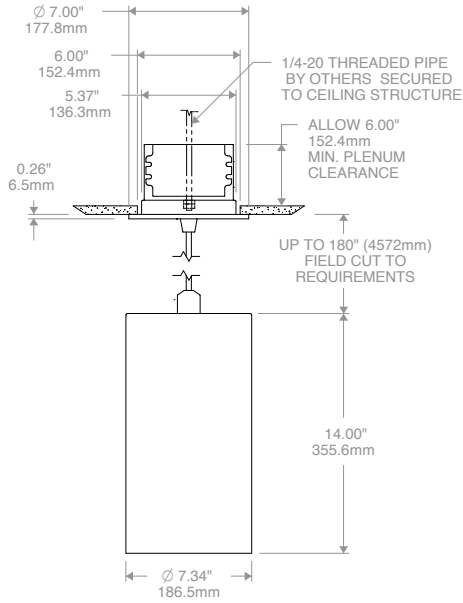
**Wall
Power Conduit Canopy
WPCC**



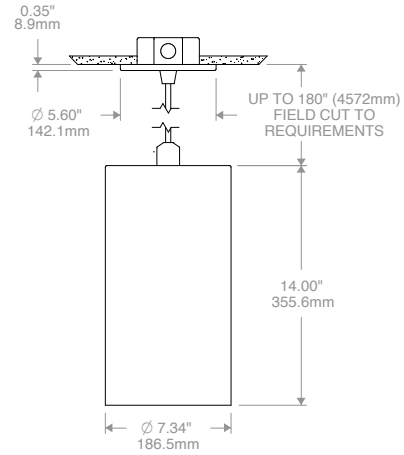
**Vented Detail View
(60L & 70L)
(All Mountings)**

DIMENSIONS

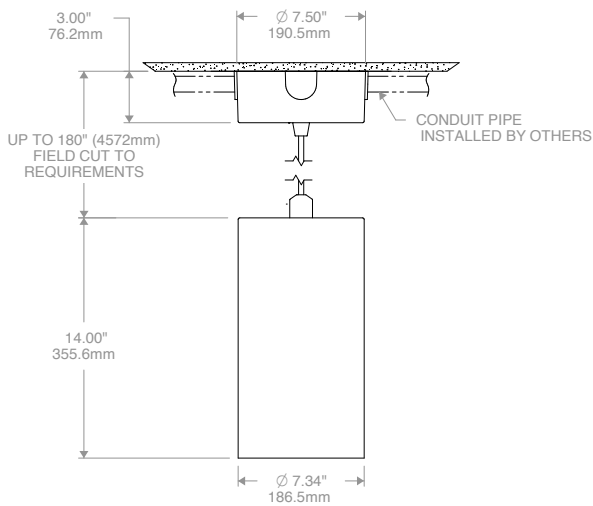
CORD (CM)



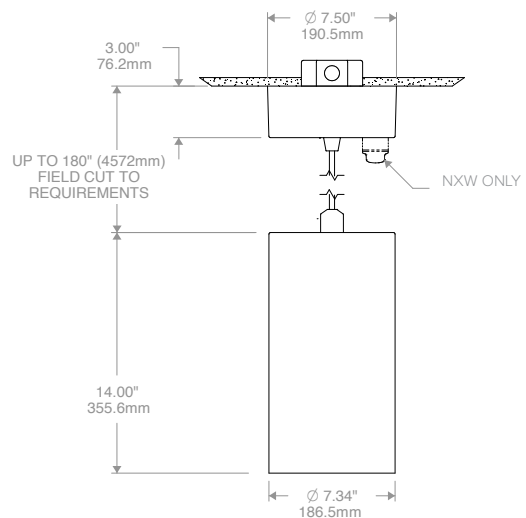
**Cord Recessed Mount Driver
CMRMD**



**Cord Standard Canopy
CM**



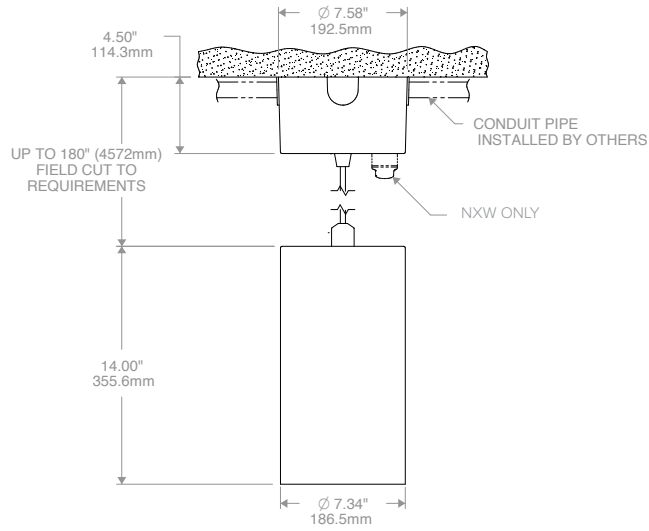
**Cord Conduit Canopy
CMCC**



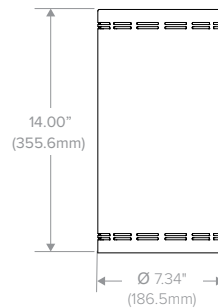
**Cord Power Canopy
CMPC**

DIMENSIONS CONTINUED

CORD (CM)



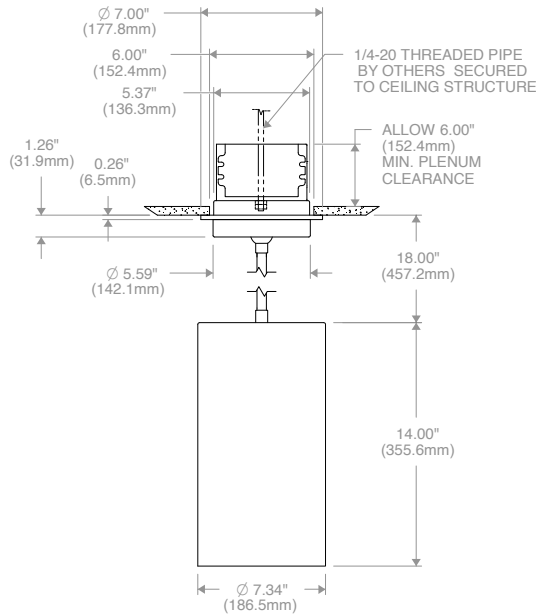
**Cord
Power Conduit Canopy
CMPCC**



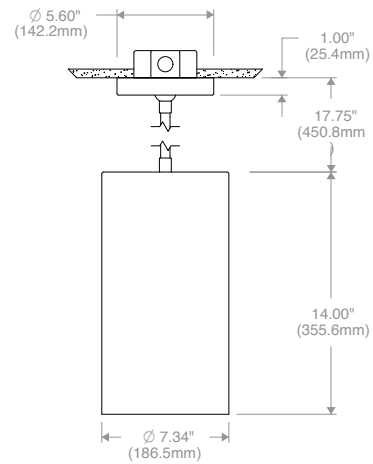
**Vented Detail View
(60L & 70L)
(All Mountings)**

DIMENSIONS

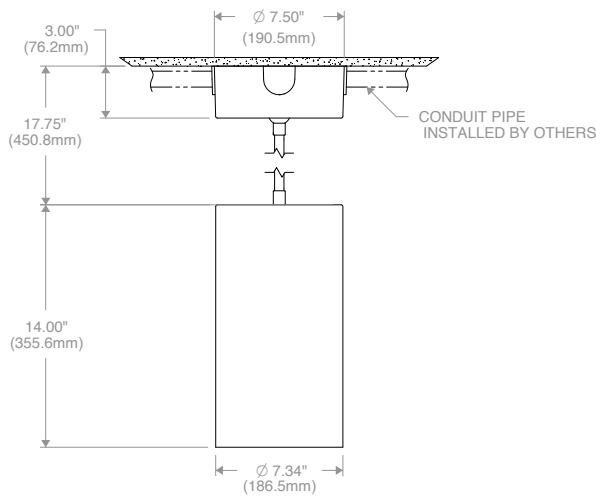
PENDANT (P)



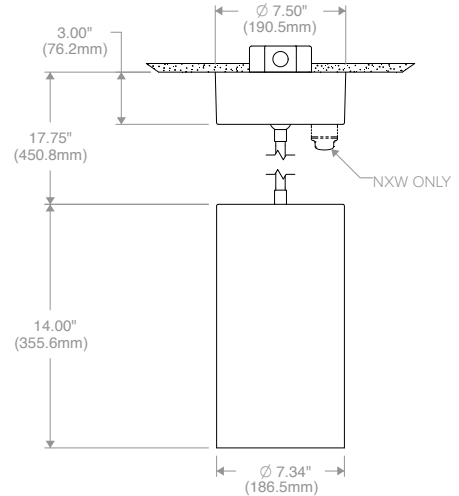
Pendant Recessed Mount Driver PRMD



Pendant Standard Canopy P



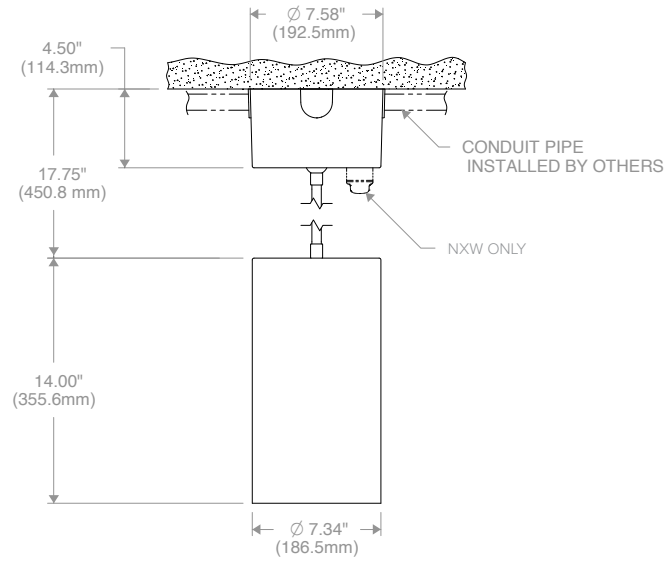
Pendant Conduit Canopy PCC



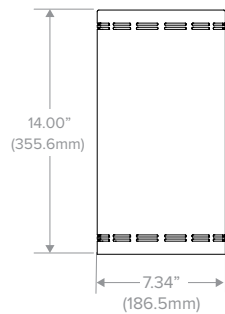
Pendant Power Canopy PPC

DIMENSIONS CONTINUED

PENDANT (P)



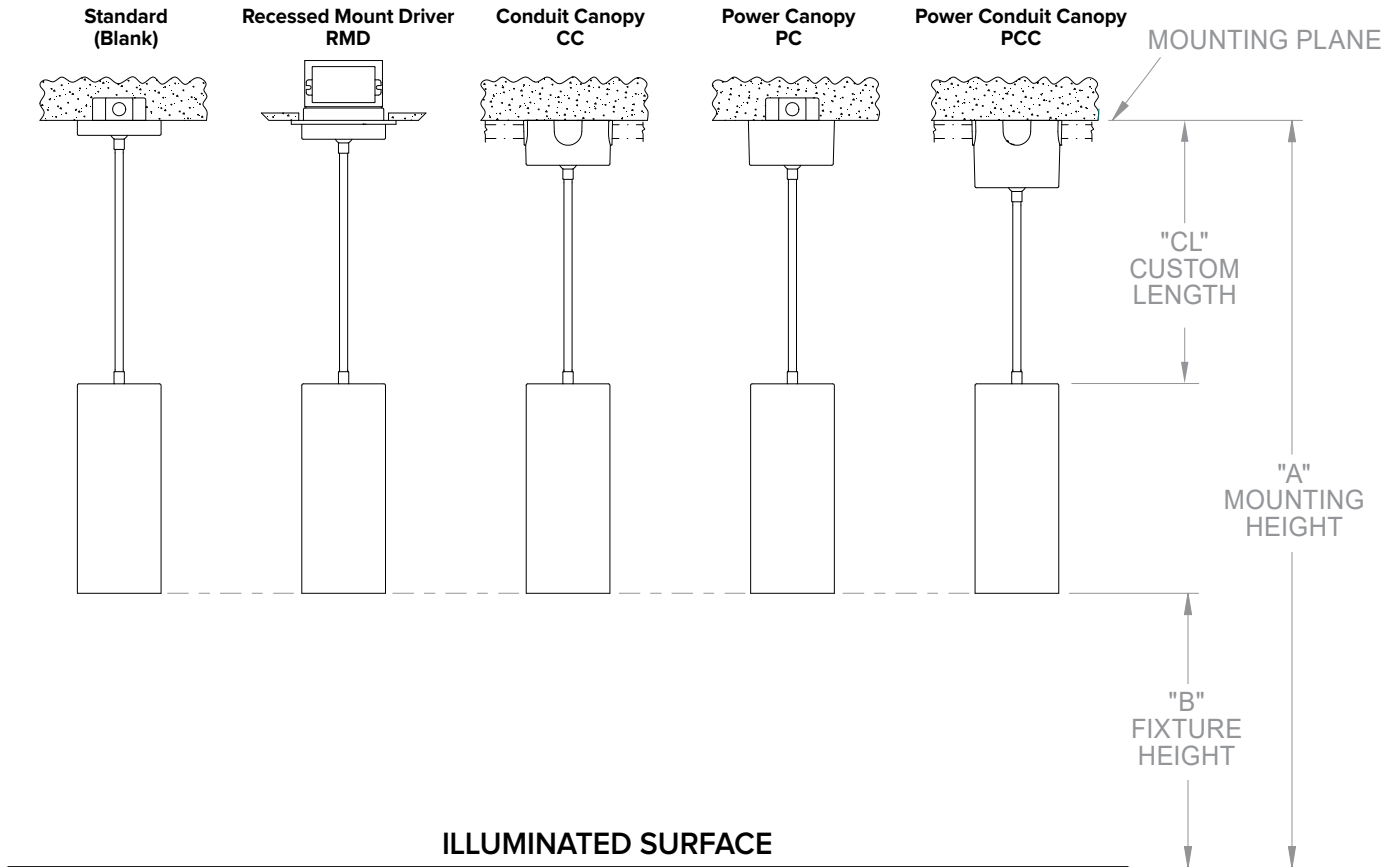
**Pendant
Power Conduit Canopy
PPCC**



**Vented Detail View
(60L & 70L)
(All Mountings)**

DIMENSIONS

PENDANT CUSTOM LENGTH



Custom Length (CL) = Mounting Height (A) - Fixture Height (B) - 14" Cylinder

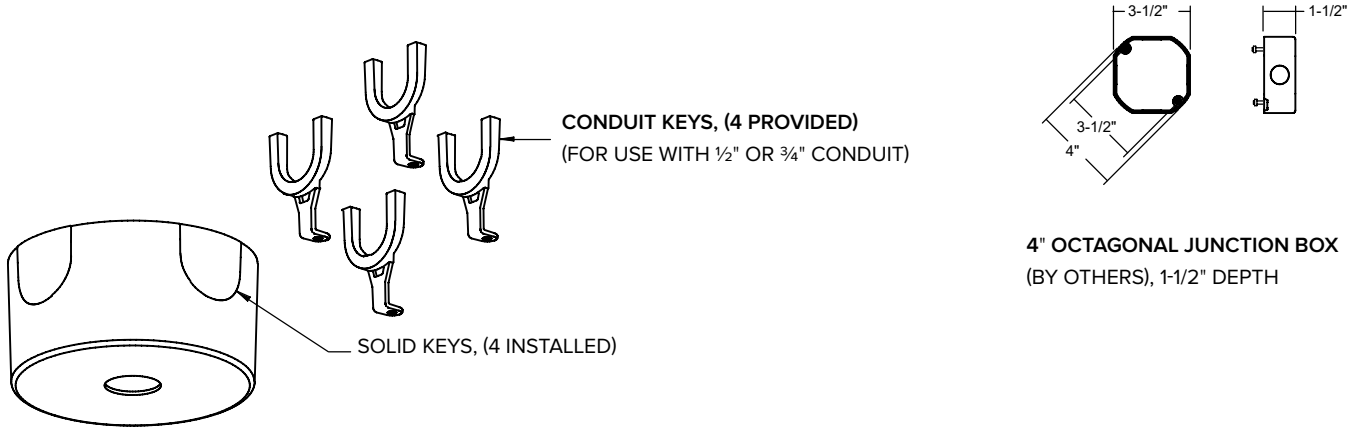
Ordering Example:

A (120") - B (72") - 14" = 34" Custom Length
LTC-6RD-P34

DIMENSIONS

CONDUIT CANOPY DETAILS

CC and PCC Conduit Canopy options come standard with (4) Solid Keys installed and (4) Conduit Keys provided. Accommodates a 4" octagonal junction box with 1-1/2" depth (by others).



CONDUIT MOUNTING EXAMPLES - FIELD INTERCHANGEABLE

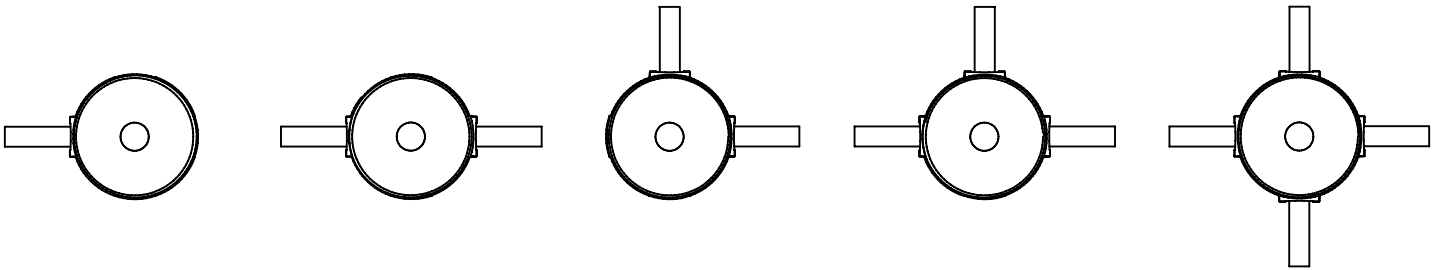
SINGLE

DOUBLE @ 180°

DOUBLE @ 90°

TRIPLE @ 90°

QUAD @ 90°



LTC-6RDW

LITEISTRY 6" ROUND CYLINDER

PHOTOMETRY

LTC-6RD-P-20L35K8VNR-DM1-S-BL

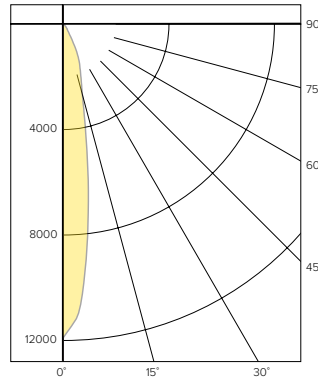
LUMINAIRE DATA

Test No.	R19.00588-C01
Description	2000 lm, Very Narrow, 3500K, 80 CRI
Delivered Lumens	2355
Watts	22.6W
Efficacy	104.0
Mounting	Pendant
Spacing Criterion	0.3
Beam Angle (FWHM)	18

ZONAL LUMEN SUMMARY

Zone	Lumens	% Luminaire
0-40	2290	97.2
0-60	2355	100.0
0-90	2355	100.0
0-180	2355	100.0

POLAR GRAPH



CANDELA DISTRIBUTION

Degree	Candela
0	11881
5	9399
15	2776
25	1236
35	255
45	74
55	0
65	0
75	0
85	0
90	0

LUMINANCE DATA*

Vertical Angle	Average
45°	6247
55°	0
65°	0
75°	0
85°	0

*Candela/Square Meter

LTC-6RD-P-20L35K8NR-DM1-S-BL

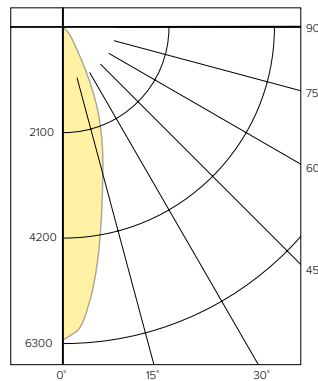
LUMINAIRE DATA

Test No.	R20.01439-C01
Description	2000 lm, Narrow, 3500K, 80 CRI
Delivered Lumens	2263
Watts	22.1W
Efficacy	103.0
Mounting	Pendant
Spacing Criterion	0.5
Beam Angle (FWHM)	29

ZONAL LUMEN SUMMARY

Zone	Lumens	% Luminaire
0-40	2185	96.6
0-60	2260	99.9
0-90	2263	100.0
0-180	2263	100.0

POLAR GRAPH



CANDELA DISTRIBUTION

Degree	Candela
0	6222
5	5603
15	3035
25	1354
35	348
45	83
55	5
65	2
75	1
85	0
90	0

LUMINANCE DATA*

Vertical Angle	Average
45°	6712
55°	498
65°	271
75°	221
85°	0

*Candela/Square Meter

LTC-6RD-P-20L35K8MD-DM1-S-BL

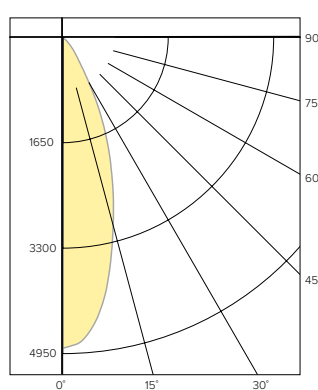
LUMINAIRE DATA

Test No.	R19.00587-01
Description	2000 lm, Medium, 3500K, 80 CRI
Delivered Lumens	2265
Watts	22.6W
Efficacy	100.0
Mounting	Pendant
Spacing Criterion	0.6
Beam Angle (FWHM)	37

ZONAL LUMEN SUMMARY

Zone	Lumens	% Luminaire
0-40	2171	95.9
0-60	2262	99.9
0-90	2265	100.0
0-180	2265	100.0

POLAR GRAPH



CANDELA DISTRIBUTION

Degree	Candela
0	4851
5	4619
15	3007
25	1450
35	386
45	99
55	6
65	2
75	1
85	0
90	0

LUMINANCE DATA*

Vertical Angle	Average
45°	8357
55°	624
65°	282
75°	231
85°	0

*Candela/Square Meter

LTC-6RDW

LITEISTRY 6" ROUND CYLINDER

PHOTOMETRY CONTINUED

LTC-6RD-P-20L35K8WD-DM1-S-BL

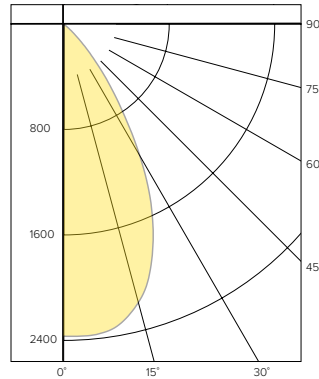
LUMINAIRE DATA

Test No.	R19.00585-01
Description	2000 lm, Wide, 3500K, 80 CRI
Delivered Lumens	2180
Watts	22.6W
Efficacy	96.1
Mounting	Pendant
Spacing Criterion	0.9
Beam Angle (FWHM)	59

ZONAL LUMEN SUMMARY

Zone	Lumens	% Luminaire
0-40	2014	92.4
0-60	2176	99.8
0-90	2180	100.0
0-180	2180	100.0

POLAR GRAPH



CANDELA DISTRIBUTION

Degree	Candela
0	2368
5	2371
15	2189
25	1591
35	726
45	177
55	10
65	3
75	1
85	0
90	0

LUMINANCE DATA*

Vertical Angle	Average
45°	14942
55°	1041
65°	424
75°	231
85°	0

*Candela/Square Meter

LTC-6RD-P-20L35K8XW-DM1-S-BL

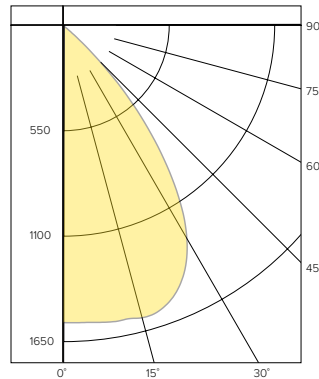
LUMINAIRE DATA

Test No.	R19.00586-01
Description	2000 lm, Extra Wide, 3500K, 80 CRI
Delivered Lumens	2139
Watts	22.7W
Efficacy	94.4
Mounting	Pendant
Spacing Criterion	1.1
Beam Angle (FWHM)	76

ZONAL LUMEN SUMMARY

Zone	Lumens	% Luminaire
0-40	1875	87.7
0-60	2134	99.8
0-90	2139	100.0
0-180	2139	100.0

POLAR GRAPH



CANDELA DISTRIBUTION

Degree	Candela
0	1547
5	1552
15	1576
25	1461
35	1007
45	301
55	9
65	3
75	1
85	0
90	0

LUMINANCE DATA*

Vertical Angle	Average
45°	25409
55°	937
65°	424
75°	231
85°	0

*Candela/Square Meter

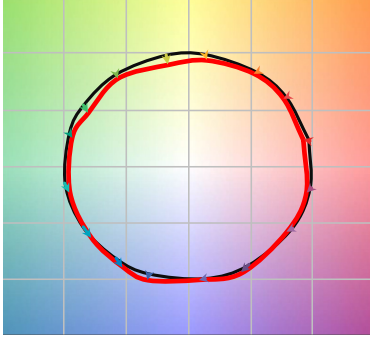
LUMEN MULTIPLIER

Option	27K8	30K8	35K8	40K8	50K8	27K9	30K9	35K9	40K9
Multiplier	0.94	0.98	1.00	1.01	1.02	0.81	0.84	0.85	0.85

Photometrics are published below at a nominal 3500 Kelvin, 80+ CRI. This table may be used to approximate the lumen values at different Kelvin temperatures. Power consumption would stay the same.

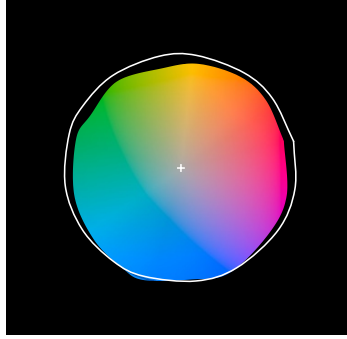
TM-30 DATA

COLOR VECTOR GRAPHIC
3500K, 90 CRI



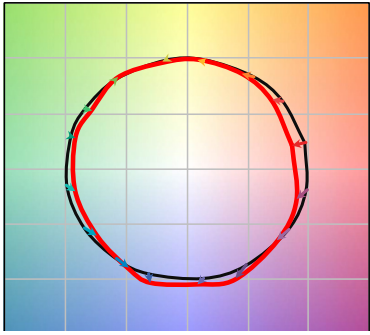
— Reference Illuminant — Test Source

COLOR DISTORTION GRAPHIC
3500K, 90 CRI



TEST RESULTS - 3500K		
Value	80+ CRI	90+ CRI
R_t	84	88
R_g	95	95
CCT (K)	3411	3419
D_{uv}	0.0015	0.0042
x	0.4120	0.4147
y	0.3974	0.4052
CIE R_a	84	93
CIE R_g	11	62

COLOR VECTOR GRAPHIC
3500K, 80 CRI



— Reference Illuminant — Test Source

COLOR DISTORTION GRAPHIC
3500K, 80 CRI



ELECTRICAL DATA

DRIVER DATA		
Input Voltage	120–277 V	347 V
Input Frequency	50/60 Hz	50/60 Hz
Power Factor	≥0.90	≥0.90
THD	<20%	<20%
EMI Filtering (FCC 47 CFR Part 15)	Class A	Class A

* Values for DM1 option shown, values for other dimming options may vary.

ADDITIONAL INFORMATION**Dimming Compatibility**

For more details and recommended dimmer list, see Dimming Compatibility Information on currentlighting.com/prescolite.

DMX

See instruction sheet on currentlighting.com/prescolite for connection & installation information.

Central Inverters

For full fixture output in back-up mode, we recommend you visit currentlighting.com/dual-lite for your Central Lighting Inverter options. Please contact your local Current representative for any assistance with proper sizing and loading of your inverter selection. Central lighting inverters must be ordered separately.