

## General Installation Instructions

### LED

- To reduce the risk of death, personal injury or property damage from fire, electric shock, falling parts, cuts/abrasions and other hazards, please read all warnings and instructions included with and on the luminaire box and all luminaire labels.
- Before installing, servicing or performing routine maintenance upon this equipment, follow these general precautions.
- Installation and service of luminaires should be performed by a **qualified licensed electrician**.
- Maintenance of the luminaires should be performed by person(s) familiar with the luminaires' construction and operation and any hazards involved. Regular luminaire maintenance programs are recommended.
- It will occasionally be necessary to clean the outside of the refractor/lens. Frequency of cleaning will depend on ambient dirt level and minimum light output which is acceptable to user. Refractor/lens should be washed in a solution of warm water and any mild, non-abrasive household detergent, rinsed with clean water and wiped dry. Should optical assembly become dirty on the inside, wipe refractor/lens and clean in above manner, replacing damaged gaskets as necessary.
- **DO NOT INSTALL DAMAGED PRODUCT!** This luminaire has been properly packed so that no parts should have been damaged during transit. Inspect to confirm. Any part damaged or broken during or after assembly should be replaced.
- Recycle: For information on how to recycle LED electronic products, please visit [www.epa.gov](http://www.epa.gov).
- These instructions do not purport to cover all details or variations in equipment nor to provide every possible contingency to meet in connection with installation, operation or maintenance. Should further information be desired or should particular problems arise which are not covered sufficiently for the purchaser's or owner's purposes, this matter should be referred to Acuity Brands Lighting, Inc., a parent company of Peerless Lighting.



#### WARNING RISK OF ELECTRIC SHOCK

- ✓ Disconnect or turn off power before installation or servicing.
- ✓ Verify that supply voltage is correct by comparing it with the luminaire label information.
- ✓ Make all electrical and grounded connections in accordance with the National Electrical Code (NEC) and any applicable local code requirements.
- ✓ All wiring connections should be capped with UL approved recognized wire connectors.
- ✓ To prevent luminaire row from over-current: By adding the input current of each luminaire section marked on the luminaire, the total current per power feed must not exceed the maximum line wire amperage marked on the luminaire and the power feed cord/wire amperage rating whichever the least.



#### WARNING RISK OF BURN

- ✓ Allow lamp/luminaire to cool before handling. Do not touch enclosure or light source.
- ✓ Do not exceed maximum wattage marked on luminaire label.
- ✓ Follow all manufacturer's warnings, recommendations and restrictions for: driver type, burning position, mounting locations/methods, replacement and recycling.

Part Number: PIN004102 Description: "INSTR, IMPORTANT SAFETY LED" Revision: C Effective Date: 07/2012 ECO3665 page 1 of 2

## General Installation Instructions

LED



### CAUTION RISK OF INJURY

- ✓ Wear gloves and safety glasses at all times when removing luminaire from carton, installing, servicing or performing maintenance.
- ✓ Avoid direct eye exposure to the light source while it is on.



### CAUTION RISK OF FIRE

- ✓ Keep combustible and other materials that can burn away from lamp/lens.
- ✓ Do not operate in close proximity to persons, combustible materials or substances affected by heat or drying.



### CAUTION RISK OF PRODUCT DAMAGE

- ✓ Never connect components under load.
- ✓ Do not mount or support these luminaires in a manner that can cut the outer jacket or damage wire insulation.
- ✓ Unless individual product specifications deem otherwise: Never connect an LED product directly to a dimmer packs, occupancy sensors, timing devices, or other related control devices. LED luminaires must be powered directly off a switched circuit.
- ✓ Unless individual product specifications deem otherwise: Do not restrict luminaire ventilation. Allow for some volume of airspace around luminaire. Avoid covering LED luminaires with insulation, foam or other material that will prevent convection or conduction cooling.
- ✓ Unless individual product specifications deem otherwise: Do not exceed luminaire's maximum ambient temperature.
- ✓ Only use luminaire in its intended location.
- ✓ LED products are polarity sensitive. Ensure proper polarity before installation.
- ✓ Electrostatic Discharge (ESD): ESD can damage LED fixtures. Personal grounding equipment must be worn during all installation or servicing of the unit.
- ✓ Do not touch individual electrical components as this can cause ESD, shorten lamp life or alter performance.
- ✓ Some components inside the luminaire may not be serviceable. In the unlikely event your unit may require service, stop using the unit immediately and contact a Peerless Lighting representative for assistance.
- ✓ Always read the fixtures complete installation instructions prior to installation for any additional luminaire specific warnings.

### SAVE THESE INSTALLATION INSTRUCTIONS

Please see product specific installation instructions for additional warnings or any applicable FCC or other regulatory statements.

Failure to follow any of these instructions could void product warranties.

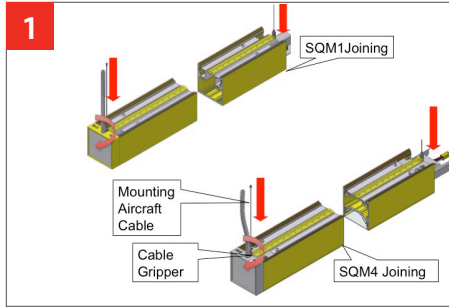
For a complete listing of product Terms and Conditions, please visit [PeerlessLighting.com](http://PeerlessLighting.com).

Peerless Lighting, an Acuity Brands Company, assumes no responsibility for claims arising out of improper or careless installation or handling of its products.

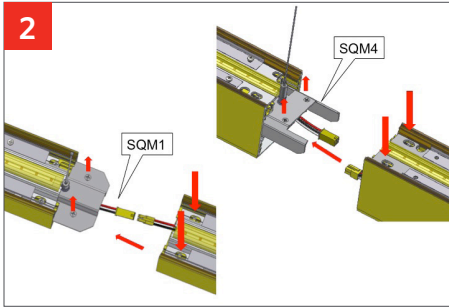
Part Number: PIN004102 Description: "INSTR, IMPORTANT SAFETY LED" Revision: C Effective Date: 07/2012 ECO3665 page 2 of 2



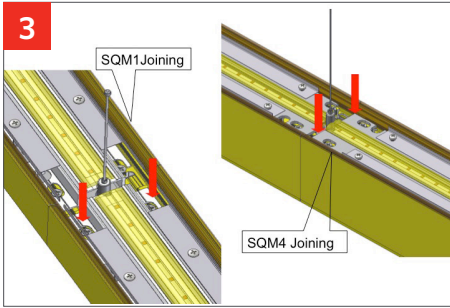
**B) Cable Mounted Installation**



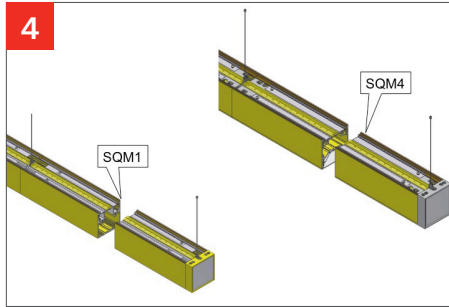
**Locate first luminaire.** Insert at least 1.5" of mounting cable into cable grippers at each end to required suspension height. To secure mounting cable, screw on the cable gripper cap until it bottoms out.



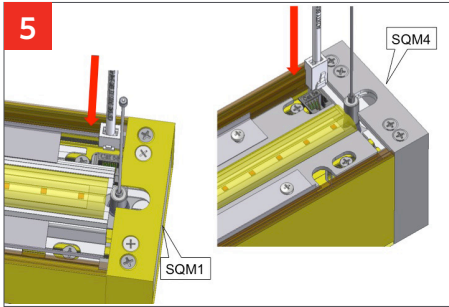
**Prepare Joining of luminaires:** On next luminaire in the row, insert at least 1.5" of mounting cable into the cable gripper and lift luminaire up to same level as first luminaire. Connect the wiring harness between the two luminaires. Remove the indicated (2) joining screws from the joiner.



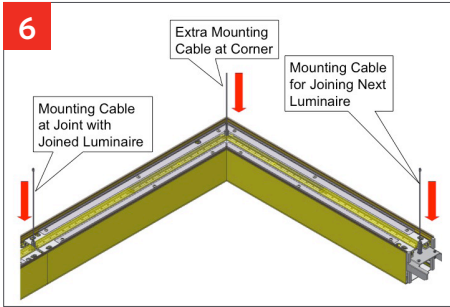
**Joining Luminaires:** Align and push together the two luminaires to join. Secure the luminaires by reinstalling the (2) joining screws on the second luminaire.



**Complete Luminaire Row:** Repeat Steps 2 and 3 as necessary to complete the installation of the luminaire row. Level the luminaire row by adjusting cable grippers, then tighten all cable gripper caps.



**Optional nLight Cat-5 connection:** Where applicable, plug in the Cat-5 cable (provided in the mounting kit) before completing the installation.



**Optional "L" corner configured luminaires:** For these luminaire sections, install an additional mounting cable at corner of the unit as shown (SQM4 shown).