

JUNO**TRAC-MASTER**

Avant Garde

24W VERTICAL CYLINDER LED**T383L**

Project: _____

Fixture Type: _____

Location: _____

Contact/Phone: _____

**PRODUCT DESCRIPTION**

The classic, simple appearance of the Vertical Cylinder LED fixtures offers a fresh take on a traditional aesthetic. The subtle elegance is carried through the entire design producing an understated charm. The 24W Vertical Cylinder LED fixtures have integral TIR optics which enable uniform spot, narrow flood, flood or wide flood distributions to be achieved. These fixtures have an integral, bayonet-mounted accessory holder that accommodates up to two accessories if desired. The 24W Vertical Cylinder LED can deliver up to 2112 lumens, at efficacies up to 87LPW and having a rated life of 50,000 hours. Available in 2700K, 3000K, 3500K and 4000K color temperatures, the white-light 24W Vertical Cylinder LED is compatible with all Juno line voltage trac and standard adapter accessories.

**PRODUCT SPECIFICATIONS**

Construction All-metal housing and custom designed concealed heat sink provides outstanding thermal management, yielding 70% average lumen maintenance at 50,000 hours of operation • Passively-cooled design – no moving parts to break or wear-out • Extruded aluminum vertically mounted LED driver housing • Concealed fixture wiring for a clean aesthetic • Fashionable, elegant design complements any decor • Available in white, black and silver painted finishes.

LED High performance LED array provides outstanding reliability, performance and color quality/consistency • 2700K, 3000K, 3500K or 4000K white phosphor high performance LEDs • Chromaticity range within a 3-step MacAdam Ellipse • 80 CRI minimum on standard product • Optional high CRI versions offer 90 CRI minimum • Optional SpectralWhite versions are also available which make whites appear naturally brilliant and render colors more richly.

Driver Assembled in a side-mount vertical housing to minimize overall fixture footprint • Insulating air gap between driver and LED light engine optimizes thermal operation • Provides quiet operation with or without dimming • Dimmable using high quality, factory approved reverse phase ELV dimmers - see [T381L-DIM](#) • Solid state electronic, Class 2 compliant • Integral overcurrent and short circuit protection • Class B FCC Part 15 rated.

Optics Interchangeable computer-designed custom TIR optics available in four factory-configured beam spreads • One TIR optic provided with fixture (as specified in catalog number) • Accessory optics available to enable beam changes in the field • Beam patterns can be altered as desired using a variety of available light control accessories.

Juno Universal Trac Adapter Compatible with Juno Trac-Master 1 or 2-circuit systems or Juno Trac-Lites system • Copper alloy contacts provide precise spring action – no arcing and will not take a set • True, positive electrical ground • On /off switch included • Patented embossed polarity arrows on bottom of adapter • Spring-loaded positive latch with embossed polarity arrows secures trac light to trac • Two-position power contact provided for two-circuit application.

Alternate TEK/HTEK Trac Adapter Compatible with either Juno TEK or HTEK trac systems • System specific and assembled to trac fixture • Integrally polarized construction to prevent reverse installation – only allows insertion in proper orientation • Rotary circuit selector enables simple switching between circuits • Integral on/off switch enables individual fixtures to be switched for servicing.

Accessory Holder Integral to fixture design • Die cast aluminum construction • Precision bayonet mounting • Accommodates up to two accessories if desired.

Aiming 360° horizontal coverage • Greater than 90° vertical aiming capability.

Labels UL and C-UL Listed • ENERGY STAR® certified • DesignLights Consortium® Qualified.

Warranty 5-year limited warranty. Complete warranty terms located at: www.acuitybrands.com/CustomerResources/Terms_and_conditions.aspx.

Specifications subject to change without notice.

ORDERING INFORMATION

Ordering Example: T383L 27K 80CRI PDIM SP BL

Series	Mounting Adapter Type	Color Temperature	Color Rendering Index	Dimming Compatibility	Distribution	Finish
T383L 24W Vertical Cylinder LED	(Blank) Universal Trac Adapter	27K 2700K	80CRI 80 CRI	PDIM Phase Dimmable	SP Spot	BL Black
	HTEK HTEK 277V Trac Adapter	30K 3000K	90CRI 90 CRI		NFL Narrow Flood	SL Silver
	TEK TEK 120V Trac Adapter	35K 3500K	SPW ¹ SpectralWhite		FL Flood	WH White
		40K 4000K	WFL Wide Flood			

Accessories					
HCLBL 300	Hexcell Louver - Black	UVF 300	UV Filter	TIR3 SPT	TIR Optic - Spot
SNOOTBL 300	Snoot - Black	DIFF 300	Diffusion Lens	TIR3 NFLD	TIR Optic - Narrow Flood
EYEBROWBL 300	Eyebrow - Black	SOLITE 300	Uniformity Lens	TIR3 FLD	TIR Optic - Flood
CGF 300	Color Glass Filters	PRISM 300	Prismatic Spread Lens	TIR3 WFLD	TIR Optic - Wide Flood
DGF 300	Dichroic Glass Filters	LSPREAD 300	Linear Spread Lens		
DCCF 300 ²	Dichroic Color Correction Filters	T40N ³	Monopoint Canopy		

Notes:

- 3000K and 3500K only.
- DCCF 300 HAL2700 corrects 3000K color to approximately 2700K and 4000K color to approximately 3400K.
- Add finish code to complete catalog number (Example: T40N WH).

See specification sheet [D1.2.2](#) for details. Other accessories can be found on specification sheet [D1.2.0](#).





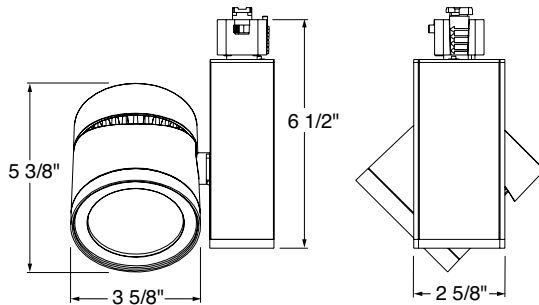
TRAC-MASTER®

Avant Garde

24W VERTICAL CYLINDER LED

T383L

DIMENSIONS



PERFORMANCE DATA¹

Catalog Number	Input Voltage	Input Watts (Typical)	Lumens	Efficacy (LPW)	Rated Life (Hours)
T383L 27K 80CRI SP	120V	24.3	1824	75	50,000
T383L 27K 80CRI NFL	120V	24.3	1815	75	50,000
T383L 27K 80CRI FL	120V	24.3	1816	75	50,000
T383L 27K 80CRI WFL	120V	24.3	1778	73	50,000
T383L 27K 90CRI SP	120V	24.3	1594	66	50,000
T383L 27K 90CRI NFL	120V	24.3	1585	65	50,000
T383L 27K 90CRI FL	120V	24.3	1587	65	50,000
T383L 27K 90CRI WFL	120V	24.3	1554	64	50,000
T383L 30K 80CRI SP	120V	24.3	1920	79	50,000
T383L 30K 80CRI NFL	120V	24.3	1910	79	50,000
T383L 30K 80CRI FL	120V	24.3	1912	79	50,000
T383L 30K 80CRI WFL	120V	24.3	1872	77	50,000
T383L 30K 90CRI SP	120V	24.3	1670	69	50,000
T383L 30K 90CRI NFL	120V	24.3	1662	68	50,000
T383L 30K 90CRI FL	120V	24.3	1663	68	50,000
T383L 30K 90CRI WFL	120V	24.3	1629	67	50,000
T383L 30K SPW SP	120V	24.3	1670	69	50,000
T383L 30K SPW NFL	120V	24.3	1662	68	50,000
T383L 30K SPW FL	120V	24.3	1663	68	50,000
T383L 30K SPW WFL	120V	24.3	1629	67	50,000
T383L 35K 80CRI SP	120V	24.3	2016	83	50,000
T383L 35K 80CRI NFL	120V	24.3	2006	83	50,000
T383L 35K 80CRI FL	120V	24.3	2008	83	50,000
T383L 35K 80CRI WFL	120V	24.3	1966	81	50,000
T383L 35K 90CRI SP	120V	24.3	1728	71	50,000
T383L 35K 90CRI NFL	120V	24.3	1719	71	50,000
T383L 35K 90CRI FL	120V	24.3	1721	71	50,000
T383L 35K 90CRI WFL	120V	24.3	1685	69	50,000
T383L 35K SPW SP	120V	24.3	1728	71	50,000
T383L 35K SPW NFL	120V	24.3	1719	71	50,000
T383L 35K SPW FL	120V	24.3	1721	71	50,000
T383L 35K SPW WFL	120V	24.3	1685	69	50,000
T383L 40K 80CRI SP	120V	24.3	2112	87	50,000
T383L 40K 80CRI NFL	120V	24.3	2101	86	50,000
T383L 40K 80CRI FL	120V	24.3	2103	87	50,000
T383L 40K 80CRI WFL	120V	24.3	2059	85	50,000
T383L 40K 90CRI SP	120V	24.3	1766	73	50,000
T383L 40K 90CRI NFL	120V	24.3	1757	72	50,000
T383L 40K 90CRI FL	120V	24.3	1759	72	50,000
T383L 40K 90CRI WFL	120V	24.3	1722	71	50,000

Notes:

¹ Performance data, including Rated Life, is based on measurements of an individual fixture operating in a 25°C ambient.

ELECTRICAL DATA

Input Voltage	120V
Input Current (max.)	0.22A
Power Factor	>0.90
T.H.D.	<20%



TRAC-MASTER®

Avant Garde

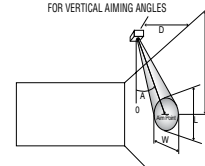
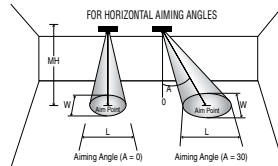
24W VERTICAL CYLINDER LED

T383L

PHOTOMETRICS

CBCP • Centerbeam candlepower
FC • Footcandles at beam center (aim point)

In vertical aiming applications, aim point (X) is determined by dividing distance from the wall (D) by the tangent of the desired aim angle (A) (0.5774 for 30°, 1.0 for 45°, 1.732 for 60°).



Horizontal Aiming Angles

Vertical Aiming Angles



Fixture	Beam Type	Beam Spread	Rated Life	CBCP	0°			30°			30°			45°			60°								
					MH	FC	L	W	FC	L	W	D	FC	X	L	W	FC	X	L	W	D	FC	X	L	W
Cylinder 24W LED, 30K, 80CRI Spot	SP	16°	50000	16001	8	250	1.8	1.8	162	2.4	2.1	4	125	6.9	3.7	1.8	354	4	1.8	1.3	8	162	4.6	2.4	2.1
					10	160	2.2	2.2	104	3	2.6	5	80	8.7	4.6	2.2	226	5	2.3	1.6	10	104	5.8	3	2.6
					12	111	2.7	2.7	72	3.6	3.1	6	56	10.4	5.5	2.7	157	6	2.7	1.9	12	72	6.9	3.6	3.1
					14	82	3.1	3.1	53	4.2	3.6	7	41	12.1	6.5	3.1	115	7	3.2	2.2	14	53	8.1	4.2	3.6
					16	63	3.6	3.6	41	4.8	4.1	8	31	13.9	7.4	3.6	88	8	3.6	2.5	16	41	9.2	4.8	4.1
Cylinder 24W LED, 30K, 80CRI Narrow Flood	NFL	26°	50000	7536	6	204	2.6	2.6	133	3.5	3	2	230	3.5	4.1	1.7	650	2	1.8	1.2	6	133	3.5	3.5	3
					8	115	3.5	3.5	75	4.7	4	3	102	5.2	6.1	2.6	289	3	2.7	1.9	7	98	4	4.1	3.5
					10	74	4.4	4.4	48	5.9	5	4	57	6.9	8.1	3.5	163	4	3.7	2.5	8	75	4.6	4.7	4
					12	51	5.2	5.2	33	7.1	6	5	37	8.7	10.2	4.4	104	5	4.6	3.1	9	59	5.2	5.3	4.5
					14	38	6.1	6.1	24	8.3	7	6	26	10.4	12.2	5.2	72	6	5.5	3.7	10	48	5.8	5.9	5
Cylinder 24W LED, 30K, 80CRI Flood	FL	39°	50000	3902	4	244	2.6	2.6	158	3.6	3	2	122	3.5	7.8	2.6	345	2	2.9	1.9	3	282	1.7	2.7	2.3
					5	156	3.3	3.3	101	4.5	3.8	3	54	5.2	11.7	3.9	153	3	4.4	2.8	4	158	2.3	3.6	3
					6	108	3.9	3.9	70	5.5	4.6	4	30	6.9	15.6	5.3	86	4	5.9	3.7	5	101	2.9	4.5	3.8
					7	80	4.6	4.6	52	6.4	5.3	5	20	8.7	19.5	6.6	55	5	7.4	4.6	6	70	3.5	5.5	4.6
					8	61	5.3	5.3	40	7.3	6.1	6	14	10.4	23.4	7.9	38	6	8.8	5.6	7	52	4	6.4	5.3
Cylinder 24W LED, 30K, 80CRI Wide Flood	WFL	51°	50000	2239	2	560	1.9	1.9	364	2.8	2.2	1	280	1.7	13.3	1.9	792	1	2.5	1.4	2	364	1.2	2.8	2.2
					3	249	2.9	2.9	162	4.2	3.4	1.5	124	2.6	19.9	2.9	352	1.5	3.8	2.1	3	162	1.7	4.2	3.4
					4	140	3.9	3.9	91	5.6	4.5	2	70	3.5	**	3.9	198	2	5.1	2.7	4	91	2.3	5.6	4.5
					5	90	4.9	4.9	58	7	5.6	2.5	45	4.3	**	4.9	127	2.5	6.4	3.4	5	58	2.9	7	5.6
					6	62	5.8	5.8	40	8.4	6.7	3	31	5.2	**	5.8	88	3	7.6	4.1	6	40	3.5	8.4	6.7

For 27K 80CRI fixtures, use 0.95 multiplier; For 27K 90CRI fixtures, use 0.83 multiplier.
 For 30K 90CRI fixtures, use 0.87 multiplier; For 30K SPW fixtures, use 0.87 multiplier.
 For 35K 80CRI fixtures, use 1.05 multiplier; For 35K 90CRI fixtures, use 0.90 multiplier; For 35K SPW fixtures, use 0.90 multiplier.
 For 40K 80CRI fixtures, use 1.10 multiplier; For 40K 90CRI fixtures, use 0.92 multiplier

**Due to steep aiming angle, length of beam extends beyond 25'.