

JUNO TYPE INDOOR LED MINI STEP LIGHT - LMS

WARNING: For your safety, read and understand instructions completely before starting installation.

Before wiring to power supply, turn off electricity at the fuse or circuit breaker box.

NOTE: Juno recessed fixtures are designed to meet the latest NEC requirements and are listed in full compliance with UL 1598. Before attempting installation of any recessed lighting fixture, check your local electrical building code. This code sets the wiring standards and installation requirements for your locality and should be understood before starting work. Juno LMS fixture is designed for installation in indoor wall mount applications and rated for direct contact with insulating materials. Fixtures may also be used in non-insulated walls. Step Lights are designed to mount in standard J-Boxes: 2" x 4" (2 1/8" minimum depth) or 4" x 4" (1 1/2" minimum depth) fitted with a single-gang plaster ring 5/8" minimum depth. J-Boxes and plaster ring are not provided.

SAVE THESE INSTRUCTIONS

WALL PREPARATION

The finished wall cut out can not be more than 1/8" larger on any side of the J-Box (2" x 4") or single-gang plaster ring. If the cut out is greater than that, patch the wall around the J-Box (2" x 4") or single-gang plaster ring until it meets the requirement above.

The front edge of the 2" x 4" J-Box or single-gang plaster ring when used with 4" x 4" J-Box should be mounted 1/16" behind the finished wall surface.

FIXTURE INSTALLATION

VERTICAL ORIENTATION (Figures 1 & 2)

See next section of these instructions for horizontal orientation installation.

Step 1. Separate the Faceplate (A) from rest of the assembly by loosening the Set Screw #4-40 (B) (2 Set Screws for Hood) located on the short (bottom) edge of the Faceplate with the Allen wrench provided. Fixture is provided ready to be installed in a vertical orientation. The ground wire (C) is located on the bottom of the fixture.

Step 2. Make electrical connections. Provide electrical service to the wiring box according to your local electrical code. Supply wire insulation must be rated for at least 75°C.

Connect supply wires to fixture wires with proper size wire nuts (not supplied), so as to cover all bare current-carrying conductors. Connect black fixture wire to hot, white to neutral and green or bare fixture wire to ground.

Place all wiring and connections back in wiring box. Make sure that supply wires are not pinched or otherwise damaged as the fixture is installed.

Step 3. Mount the backplate assembly (E) to J-box with the two 6-32 x 1" screws (F) supplied.

Step 4A. Hook the Faceplate (A) onto the Backplate Assembly (E) by first sliding the Upper Catch (G) located at the top of Faceplate, over the Upper Tab (H) of Backplate Assembly (E). Press the Faceplate downward onto the Backplate until it is firmly seated on the upper tab.

Step 4B. For Hood Only. Firmly sit the Faceplate (A) onto the Backplate (E). Push the Faceplate (A) toward the wall making sure that both Set Screws #4-40 (B) clear top and bottom tabs (H). Skip Step 5.

Step 5. Push the lower portion of the Faceplate (A) toward the wall making sure the Set Screw (B) clears the bottom tab.

Step 6. Tighten the set screw #4-40 (B) (2 Set Screws for Hood) with the Allen wrench provided.

FIGURE 1

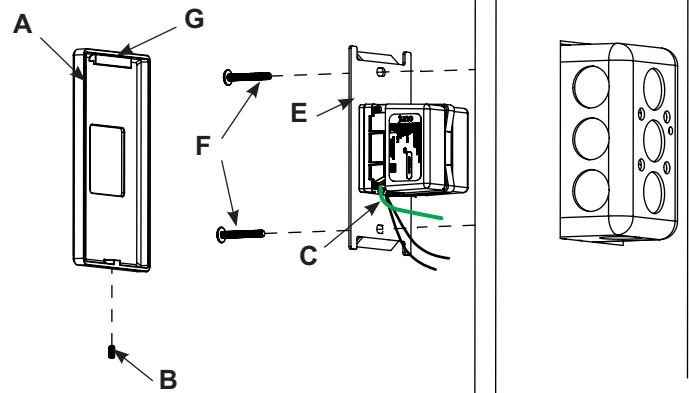
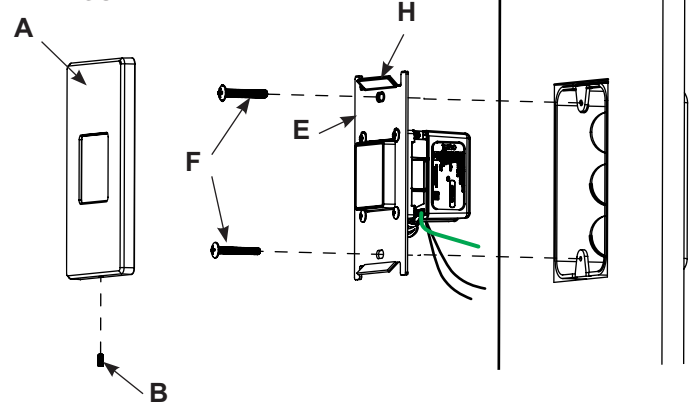


FIGURE 2



JUNO TYPE INDOOR LED MINI STEP LIGHT - LMS

FIXTURE INSTALLATION HORIZONTAL ORIENTATION (Figures 3 & 4)

Step 1. Separate the Faceplate (A) from rest of the assembly by loosening the Set Screw #4-40 (B) (2 Set Screws for Hood) located on the short edge of the Faceplate with the Allen wrench provided.

Step 2. Remove (4) screws (J) and separate backplate (E) from Light Engine Assembly (K).

Step 3. Turn backplate (E) 90°.

Step 4. Reinstall backplate (E) to Light Engine Assembly (K) with (4) screws (J). The Ground Screw (C) at the heatsink must still be at the bottom of the fixture.

Step 5. Follow steps 2 to 6 under "Vertical Orientation."

FIGURE 3

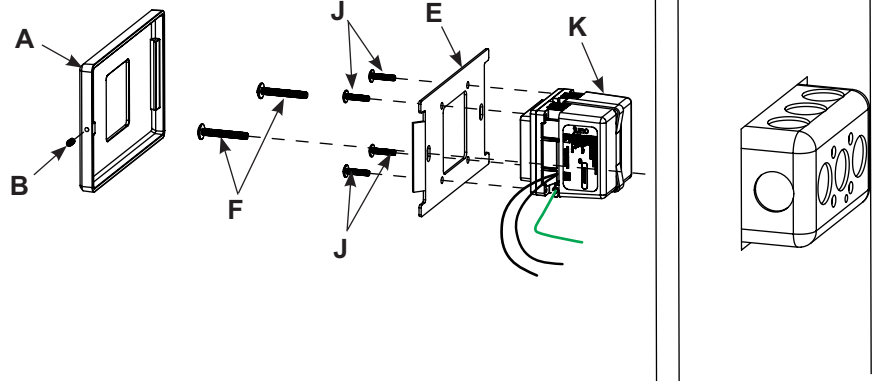
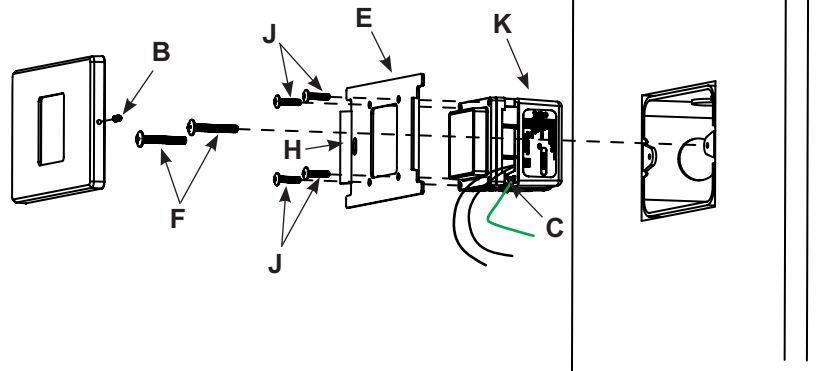


FIGURE 4



WARRANTY

5-year limited warranty. Complete warranty terms located at www.acuitybrands.com/CustomerResources/Terms_and_conditions.aspx

Technical Services Phone (888) 387-2212