



# 6" SUPER SLOPE CEILING LED - 900 LUMENS WARMDIM® IC NEW CONSTRUCTION HOUSING

Project: \_\_\_\_\_

Fixture Type: \_\_\_\_\_

Location: \_\_\_\_\_

Contact/Phone: \_\_\_\_\_



SUPER SLOPE:

7/12 TO 12/12 PITCH (30° TO 45°)

## IC928LED (WD G4 09LM) LENSED TRIMS

### PRODUCT DESCRIPTION

Dedicated LED, Air-Loc® sealed slope ceiling new construction housing with patented WarmDim® technology • LED color temperature warms while dimming to emulate the dimming performance of traditional incandescent light sources • IC rated construction housing can be completely covered with insulation • Fully sealed housing stops infiltration and exfiltration of air, reducing heating and air cooling costs without the use of additional gaskets • LED housing is designed to provide 50,000 hours of life and is compatible with standard Juno trims • 5 year limited warranty on LED components.

### ENVIRONMENTALLY FRIENDLY, ENERGY EFFICIENT

- No harmful ultraviolet or infrared wavelengths
- No lead or mercury
- Comparable light output to 26W compact fluorescent

### PRODUCT SPECIFICATIONS

**LED Light Engine** Proprietary patented micro processor controlled light engine emulates dimming performance of incandescent light source • Extruded heat sink and cast aluminum slider plate integrated directly with housing provides superior thermal management to ensure the long life of the LED • Replaceable light engine mounts directly to slider plate • 3000K color temperature at full lumen output • 90 CRI minimum throughout dimming range • Design covered under US Patent 8,710,754.

**Optical System** Computer-optimized internal reflector with specular finish coupled with a high transmission diffusing lens conceals the LEDs and produces uniform aperture luminance • Adjustable slider plate to position LEDs/reflector perpendicular to floor • Plate includes 1/4" adjustment indicators for consistent alignment.

**Aesthetic Trim Selections** Compatible with a selection of existing Juno trims • Trims are wet location approved for covered ceiling applications.

**LED Driver** Dedicated 120 volt driver • Power factor > 0.9 • Dimmable with the use of most incandescent, magnetic low voltage and electronic low voltage wall box dimmers • For a list of compatible dimmers, see [JUNOICLED-DIM](#) • Mounted inside housing on a removable J-box cover for ease of maintenance.

**Life** Rated for 50,000 hours at 70% lumen maintenance.

**Labels** UL listed for U.S. and Canada through-branch wiring, wet locations (covered ceilings) • Union made • UL and cUL listed.

**Testing** All reports are based on published industry procedures; field performance may differ from laboratory performance.

Specifications subject to change without notice.

### HOUSING FEATURES

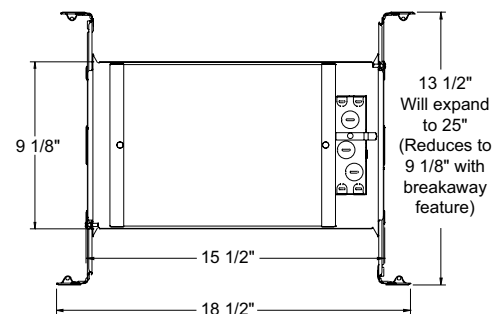
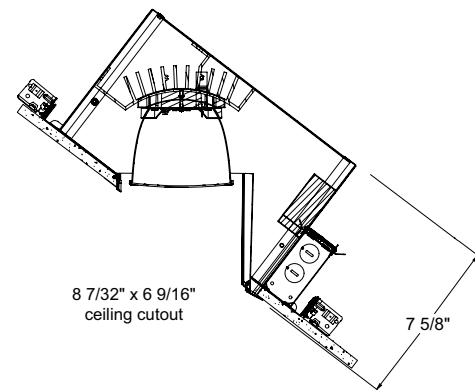
**Housing** Designed for use in IC (insulated ceiling) or non-IC construction • .032" aluminum housing sealed for Air-Loc compliance • Access door for junction box accessibility • Insert skirt is vertically adjustable to accommodate up to a 1" ceiling thickness.

**Junction Box** Pre-wired junction box provided with (5) 1/2" and (1) 3/4" knockouts, (4) non-metallic sheathed cable connectors and ground wire, UL and cUL listed for through-branch wiring, maximum 8 No. 12 AWG 90° C branch circuit conductors (4 in, 4 out) • Junction box provided with removable access plates • Knockouts equipped with pryout slots • Push-in electrical connectors supplied as standard for fast, secure installation.

**Mounting Frame** 22-gauge die-formed galvanized steel mounting frame • Rough-in section (junction box, mounting frame, housing and bar hangers) fully assembled for ease of installation.



### DIMENSIONS



**Real Nail® 3 Bar Hangers** Telescoping Real Nail® 3 system permits quick placement of housing anywhere within 24" O.C. joists or suspended ceilings • Includes removable nail for repositioning of fixture in wood joist construction • Integral T-bar mounting feature for suspended ceilings • Design covered under US Patent D552,969.

# 6" SUPER SLOPE CEILING LED - 900 LUMENS WARMDIM® IC NEW CONSTRUCTION HOUSING

SUPER SLOPE: 7/12 TO 12/12 PITCH (30° TO 45°)

## IC928LED (WD G4 09LM) LENSED TRIMS

### ELECTRICAL DATA DEDICATED 120 VOLT ONLY DRIVER OPTION

120V	
Input Power	18.1W (+/-5%)
Input Current - Max	0.15A
Frequency	50/60Hz
EMI/RFI	FCC Title 47 CFR, Part 15, Class B (residential)
Minimum starting temp	-25°C

**ORDERING INFORMATION** Housing and trim can be ordered together or separate, but will always ship separately.

**Example:** IC928LED WD G4 09LM 30K 90CRI 120 FRPC

Series	Dynamic Feature	Generation	Lumens	Color Temperature	CRI	Voltage	Driver	
IC928LED	6" LED Super Slope Ceiling New Construction IC Hsg	WD Warm Dim	G4 Generation 4	09LM 900 Nominal Lumens	30K 3000K	90CRI 90+ CRI	120 120V	FRPC Forward/Reverse Phase Cut

### Trim/Description



**6033 WWH** 6" Lensed Baffle with Regressed Frosted Dome Lens Trim - White Baffle, White Trim Ring

UL Listed for use in wet location.

Trim Size: 9 1/8" O.D.

Note: In Canada when insulation is present, Type IC fixtures must be used.

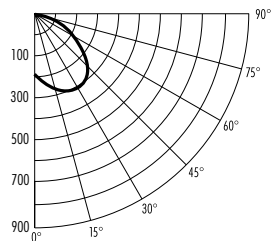
### PHOTOMETRIC REPORT

Test Report #: PTO4140901

Catalog No: IC928LED WD G4 09LM 30K  
90CRI 120 with 6033 WWH Trim

Luminaire Spacing Criterion: 1.88

Luminaire LPW: 29



### CANDLEPOWER DISTRIBUTION (Candelas)

Degrees Vertical	0°
0	198
5	225
10	254
15	278
20	297
25	307
30	307
35	296
40	273
45	241
50	204
55	164
60	125
65	93
70	65
75	43
80	25
85	11
90	0

### AVERAGE INITIAL FOOTCANDLES

Multiple Units (Square Array, 60'x60' room)

Ceiling 80% Wall 50% Floor 20%

Spacing	RCR1	RCR3	RCR5
4.0'	34	26	21
5.0'	22	17	13
6.0'	15	12	9
7.0'	12	9	8
8.0'	10	7	6
9.0'	7	6	5
10.0'	5	4	3

### ZONAL LUMEN SUMMARY

Zone	Lumens	%Lamp	%Fixture
0-30°	156	N/A	30.2
0-40°	252	N/A	49.0
0-60°	423	N/A	82.1
0-90°	515	N/A	100.0

### INITIAL FOOTCANDLES (One Unit, 17.8W, 68.6° Beam)

Distance to Illuminated Plane (Feet)	Footcandles Beam Center	Beam Diameter
4	12.4	5.5'
6	5.5	8.2'
8	3.1	10.9'
10	2.0	13.6'

### LUMINANCE (Average cd/m²)

Degrees	Average Luminance
45	20288
55	16982
65	13049
75	9919
85	7500