



6" SUPER SLOPE CEILING LED - 900 LUMENS IC NEW CONSTRUCTION HOUSING

Project: _____

Fixture Type: _____

Location: _____

Contact/Phone: _____

SUPER SLOPE:

7/12 TO 12/12 PITCH (30° TO 45°)



**IC928LED (G4 09LM)
OPEN TRIMS**

PRODUCT DESCRIPTION

Dedicated LED, Air-Loc® sealed slope ceiling new construction housing with integral light engine • IC rated construction housing can be completely covered with insulation • Fully sealed housing stops infiltration and exfiltration of air, reducing heating and air cooling costs without the use of additional gaskets • LED housing is designed to provide 50,000 hours of life and is compatible with standard Juno trims • 5 year limited warranty on LED components.

ENVIRONMENTALLY FRIENDLY, ENERGY EFFICIENT

- No harmful ultraviolet or infrared wavelengths
- No lead or mercury
- Comparable light output to 26W compact fluorescent

PRODUCT SPECIFICATIONS

LED Light Engine Extruded heat sink and cast aluminum slider plate integrated directly with housing provides superior thermal management to ensure the long life of the LED • Replaceable light engine mounts directly to slider plate and incorporates the latest generation, high lumen output LED array • LEDs are binned within a 3-step MacAdam Ellipse exceeding ENERGY STAR® requirements for superior fixture to fixture color uniformity • 2700K, 3000K, 3500K, or 4000K color temperatures available • 90 CRI minimum.

Optical System Computer-optimized internal reflector with specular finish coupled with a high transmission diffusing lens conceals the LEDs and produces uniform aperture luminance • Adjustable slider plate to position LEDs/reflector perpendicular to floor • Plate includes 1/4" adjustment indicators for consistent alignment.

Aesthetic Trim Selections Compatible with a selection of existing Juno trims • Shadow free, knife edge design blends seamlessly into ceiling.

LED Driver Choice of dedicated 120 volt (120) driver or universal voltage (MVOLT) drivers that accommodate input voltages from 120-277 volts AC at 50-60Hz • Power factor > 0.9 at 120V input • 120 volt only driver dimmable with the use of most incandescent, magnetic low voltage and electronic low voltage wall box dimmers • Universal voltage drivers are dimmable with the use of most 0-10V wall dimmers • For a list of compatible dimmers, see [JUNOICLED-DIM](#) • Mounted inside housing on a removable J-box cover for ease of maintenance.

Life Rated for 50,000 hours at 70% lumen maintenance.

Labels ENERGY STAR® Certified when used with select baffle and cone trims • Certified to high efficacy requirements of California T24 JA8-2016 with select trims • UL listed for U.S. and Canada through-branch wiring, damp locations • Union made • UL and cUL listed.

Testing All reports are based on published industry procedures; field performance may differ from laboratory performance.

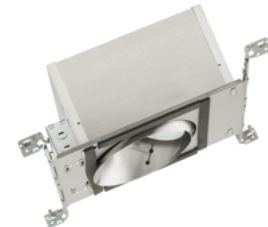
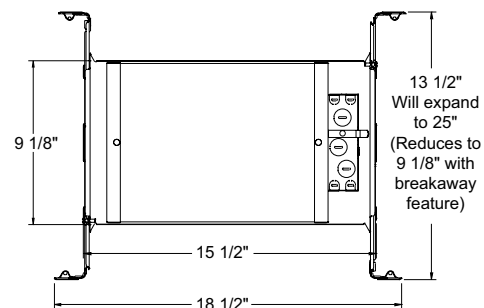
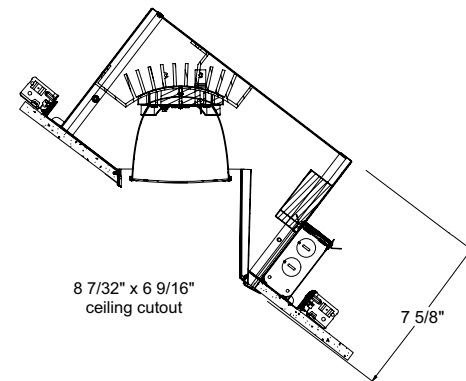
Specifications subject to change without notice.

HOUSING FEATURES

Housing Designed for use in IC (insulated ceiling) or non-IC construction • .032" aluminum housing sealed for Air-Loc compliance • Access door for junction box accessibility • Insert skirt is vertically adjustable to accommodate up to a 1" ceiling thickness.

Junction Box Pre-wired junction box provided with (5) 1/2" and (1) 3/4" knockouts, (4) non-metallic sheathed cable connectors and ground wire, UL and cUL listed for through-branch wiring, maximum 8 No. 12 AWG 90° C branch circuit conductors (4 in, 4 out) • Junction box provided with removable access plates • Knockouts equipped with pryout slots • Push-in electrical connectors supplied as standard for fast, secure installation.

DIMENSIONS



Mounting Frame 22-gauge die-formed galvanized steel mounting frame • Rough-in section (junction box, mounting frame, housing and bar hangers) fully assembled for ease of installation.

Real Nail® 3 Bar Hangers Telescoping Real Nail® 3 system permits quick placement of housing anywhere within 24" O.C. joists or suspended ceilings • Includes removable nail for repositioning of fixture in wood joist construction • Integral T-bar mounting feature for suspended ceilings • Design covered under US Patent D552,969.

6" SUPER SLOPE CEILING LED - 900 LUMENS IC NEW CONSTRUCTION HOUSING

SUPER SLOPE: 7/12 TO 12/12 PITCH (30° TO 45°)
IC928LED (G4 09LM)
OPEN TRIMS

ELECTRICAL DATA

Dedicated 120V Only Driver Option (120 FRPC)

120V	
Input Power	15.7W (+/-5%)
Input Current - Max	0.13A
Frequency	50/60Hz
EMI/RFI	FCC Title 47 CFR, Part 15, Class B (residential)
Minimum starting temp	-25°C

ELECTRICAL DATA

Universal Voltage

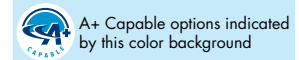
	MVOLT EZ10 and MVOLT EZ1		MVOLT ZT10 and MVOLT ZT1	
	120V	277V	120V	277V
Input Power	14.5W (+/-5%)	15.3W (+/-5%)	14.5W (+/-5%)	15.3W (+/-5%)
Input Current	0.12A	0.06A	0.12A	0.06A
Frequency	50/60Hz	50/60Hz	50/60Hz	50/60Hz
EMI/RFI	FCC Title 47 CFR, Part 15, Class B (residential)	FCC Title 47 CFR, Part 15, Class B (residential)	FCC Title 47 CFR, Part 15, Class B (residential)	FCC Title 47 CFR, Part 15, Class B (residential)
Minimum starting temp	-20°C	-20°C	-20°C	-20°C

ORDERING INFORMATION

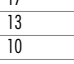
Housing and trim can be ordered together or separate, but will always ship separately.

Example: IC928LED G4 09LM 35K 90CRI 120 FRPC

Series	Generation	Lumens	Color Temperature	CRI	Voltage/Driver
IC928LED 6" LED Super Slope Ceiling New Construction IC Hsg	G4 Generation 4	09LM 900 Nominal Lumens	27K 2700K	90CRI 90+ CRI	120 FRPC 120V Forward/Reverse Phase Cut, 5% dim
			30K 3000K		MVOLT ZT10 Multi-Volt (120-277), 0-10V, 10% dim
			35K 3500K		MVOLT ZT1 Multi-Volt (120-277), 0-10V, 1% dim
			40K 4000K		MVOLT EZ10 Multi-Volt (120-277), eLdoLED 0-10V, 10% dim
					MVOLT EZ1 Multi-Volt (120-277), eLdoLED 0-10V, 1% dim



Trim/Description

	604 BABZ 6" Super Slope Downlight Baffle Trim - Black Baffle, Classic Aged Bronze Trim Ring		602 BWH 6" Super Slope Downlight Cone Trim - Black Cone, White Trim Ring
	604 BBL 6" Super Slope Downlight Baffle Trim - Black Baffle, Black Trim Ring		602 CWH 6" Super Slope Downlight Cone Trim - Clear Alzak® Cone, White Trim Ring
	604 BSC 6" Super Slope Downlight Baffle Trim - Black Baffle, Satin Chrome Trim Ring		602 GWH 6" Super Slope Downlight Cone Trim - Gold Cone, White Trim Ring
	604 BWH 6" Super Slope Downlight Baffle Trim - Black Baffle, White Trim Ring		602 HZSC 6" Super Slope Downlight Cone Trim - Haze Cone, Satin Chrome Trim Ring
	604 WWH 6" Super Slope Downlight Baffle Trim - White Baffle, White Trim Ring		602 HZWH 6" Super Slope Downlight Cone Trim - Haze Cone, White Trim Ring
			602 WHZABZ 6" Super Slope Downlight Cone Trim - Wheat Haze Cone, Classic Aged Bronze Trim Ring
			602 WHZWH 6" Super Slope Downlight Cone Trim - Wheat Haze Cone, White Trim Ring
			602 WWH 6" Super Slope Downlight Cone Trim - White Cone, White Trim Ring

Trim Size: 602 and 604 - 9 3/16" x 8 3/16" O.D.

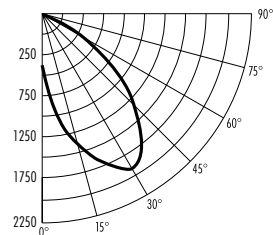
Alzak is a registered trademark of Alcoa Corp.

Note: In Canada when insulation is present, Type IC fixtures must be used.

*Universal voltage: T24 @ 3K, 35K and 41K only.

PHOTOMETRIC REPORT

Test Report #: PTO6120601R
Catalog No: IC928LED G4 09LM 35K 90 CRI
120 with 604 WWH Trim
Luminaire Spacing Criterion: 2.54
Luminaire LPW: 70



CANDLEPOWER DISTRIBUTION (Candelas)

Degrees Vertical	0°
0	447
5	844
10	1131
15	1397
20	1640
25	1825
30	1903
35	1840
40	1656
45	1420
50	1094
55	617
60	320
65	145
70	64
75	24
80	7
85	4
90	0

AVERAGE INITIAL FOOTCANDLES

Multiple Units (Square Array, 60' x 60' room)
Ceiling 80% Wall 50% Floor 20%

Spacing	RCR1	RCR3	RCR5
4.0'	73	59	49
5.0'	47	38	31
6.0'	32	26	22
7.0'	26	21	18
8.0'	21	17	14
9.0'	16	13	11
10.0'	12	10	8

ZONAL LUMEN SUMMARY

Zone	Lumens	%Lamp	%Fixture
0-30°	428	N/A	39.6
0-40°	701	N/A	64.8
0-60°	1027	N/A	95.0
0-90°	1081	N/A	100.0

INITIAL FOOTCANDLES (One Unit, 15.5W, 43° Beam)

Distance to Illuminated Plane (Feet)	Footcandles Beam Center	Beam Diameter
4	28.0	3.2'
6	12.4	4.7'
8	7.0	6.3'
10	4.5	7.9'

LUMINANCE (Average cd/m²)

Degrees	Average Luminance
45	131126
55	70206
65	22464
75	6113
85	2723