

JUNO

Project: _____

Fixture Type: _____

Location: _____

Contact/Phone: _____

6" IC 900 LUMEN LED DOWNLIGHT REMODEL

IC22RLED (G4 09LM) RECESSED HOUSING



WALL WASH TRIMS

PRODUCT DESCRIPTION

Dedicated LED, Air-Loc® remodel housing with integral light engine • Shallow housing allows for fit in 2 x 6 construction • IC remodel housing for remodel application where back side of ceiling is not accessible • Installs through an opening in the ceiling from below • Secured in place by factory installed remodel springs • Can be completely covered with insulation • When used with supplied ALG kit, stops infiltration and exfiltration of air, reducing heating and air cooling costs • LED housing is designed to provide 50,000 hours of life and is compatible with many standard Juno trims • 5 year limited warranty on LED components.

ENVIRONMENTALLY FRIENDLY, ENERGY EFFICIENT

- No harmful ultraviolet or infrared wavelengths
- No lead or mercury
- Comparable light output to 75W PAR30 incandescent

PRODUCT SPECIFICATIONS

LED Light Engine LED array integrated to thermally conductive housing provides uninterrupted heat transfer to ensure long life of the LED • Replaceable light engine mounts directly to housing and incorporates the latest generation, high lumen output LED array • LEDs are binned within a 3-step MacAdam Ellipse exceeding ENERGY STAR® requirements for superior fixture to fixture color uniformity • 2700K, 3000K, 3500K, or 4000K color temperatures available • 90 CRI minimum.

Optical System Painted white scoop is designed to work with computer-optimized reflector design to direct light toward wall for uniform illumination on vertical surfaces while concealing LED optic assembly and minimizing glare • LEDs are concealed by high transmission diffusing lens • Retention bar holds scoop assembly to trim • White or black baffle available.

Aesthetic Trim Selections Low profile scoop wall wash trim • Shadow free, knife edge design blends seamlessly into ceiling.

LED Driver Choice of dedicated 120 volt (120) driver or universal voltage (MVOLT) drivers that accommodate input voltages from 120-277 volts AC at 50/60Hz • Power factor > 0.9 at 120V input • Drivers have integral protection • 120 volt only driver is dimmable with the use of most incandescent, magnetic low voltage and electronic low voltage wall box dimmers • Universal voltage drivers are dimmable with the use of most 0-10V wall box dimmers • For a list of compatible dimmers, see [JUNOICLED-DIM](#) • Mounted between the j-box and housing for easy access and cool operation.

Life Rated for 50,000 hours at 70% lumen maintenance.

Labels UL listed for U.S. and Canada damp locations • Union made • UL and cUL.

Testing All reports are based on published industry procedures; field performance may differ from laboratory performance.

Specifications subject to change without notice.

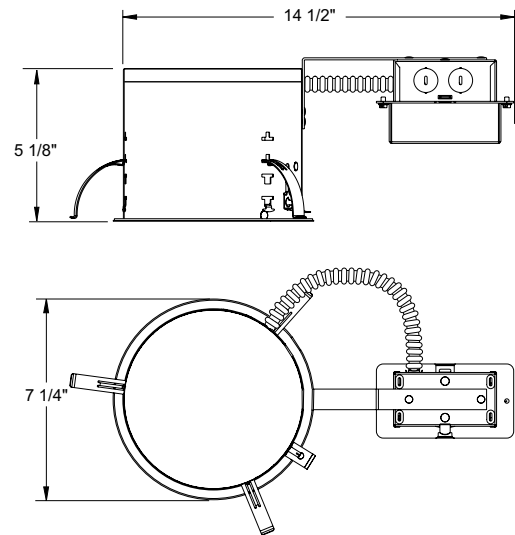
HOUSING FEATURES

Housing Designed for use in IC (insulated ceiling) or non-IC construction • Aluminum housing sealed for Air-Loc compliance when used with ALG kit • Remodel springs accommodate up to 1 7/8" ceiling thickness.

Junction Box Pre-wired junction box provided with (5) 1/2" knockouts, (4) knockouts for 12/2 or 14/2 NM cable and ground wire • Knockouts equipped with pryout slots • Quick connect electrical connectors supplied as standard for fast, secure installation.



DIMENSIONS



6 3/4" CEILING CUTOUT

6" IC 900 LUMEN LED DOWNLIGHT REMODEL

IC22RLED (G4 09LM) RECESSED HOUSING
WALL WASH TRIMS

ELECTRICAL DATA

Dedicated 120V Only Driver Option (120 FRPC)	
120V	
Input Power	11.5W (+/-5%)
Input Current	0.10A
Frequency	50/60Hz
EMI/RFI	FCC Title 47 CFR, Part 15, Class B (residential)
Minimum starting temp	-25°C

ELECTRICAL DATA

	MVOLT EZ10 and EZ1		MVOLT ZT10 and ZT1	
	120V	277V	120V	277V
Input Power	10.8W (+/-5%)	11.8W (+/-5%)	10.8W (+/-5%)	11.8W (+/-5%)
Input Current	0.09A	0.05A	0.09A	0.05A
Frequency	50/60Hz	50/60Hz	50/60Hz	50/60Hz
EMI/RFI	FCC Title 47 CFR, Part 15, Class B (residential)	FCC Title 47 CFR, Part 15, Class B (residential)	FCC Title 47 CFR, Part 15, Class B (residential)	FCC Title 47 CFR, Part 15, Class B (residential)
Minimum starting temp	-20°C	-20°C	-20°C	-20°C

ORDERING INFORMATION Housing and trim can be ordered together or separate, but will always ship separately.

Example: IC22RLED G4 09LM 27K 90CRI 120 FRPC

Series	Generation	Lumens	Color Temperature	CRI	Voltage/Driver
IC22RLED 6" LED Remodel Downlight	G4 Generation 4	09LM 900 Nominal Lumens	27K 2700K	90CRI 90+ CRI	120 FRPC 120V Forward/Reverse Phase Cut, 5% dim
			30K 3000K		MVOLT ZT10 Multi-Volt (120-277), 0-10V, 10% dim
			35K 3500K		MVOLT ZT1 Multi-Volt (120-277), 0-10V, 1% dim
			40K 4000K		MVOLT EZ10 Multi-Volt (120-277), eidoLED 0-10V, 10% dim
					MVOLT EZ1 Multi-Volt (120-277), eidoLED 0-10V, 1% dim



A+ Capable options indicated by this color background

Trim/Description



262G3 WWH 6" Wall Wash Scoop Trim - White, White Trim Ring
262G3 BWH 6" Wall Wash Scoop Trim - Black, White Trim Ring

Trim Size: 7 5/8" O.D.

Note: In Canada when insulation is present, Type IC fixtures must be used.

6" IC 900 LUMEN LED DOWNLIGHT REMODEL

IC22RLED (G4 09LM) RECESSED HOUSING WALL WASH TRIMS

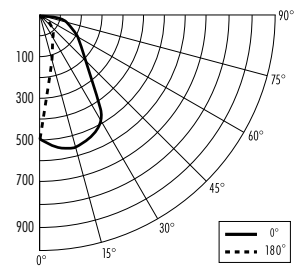
PHOTOMETRICS

PHOTOMETRIC REPORT

Test Report #: PT10111901R
Catalog No: IC22RLED G4 09LM 35K
with 262G3 WWH Trim

Luminaire Spacing Criterion @ 90°: 1.04

Luminaire: 6" IC22RLED G4 Downlight,
Scoop Type Wall Wash Trim



CANDLEPOWER DISTRIBUTION (Candelas)

Degrees	0°	180°
Vertical	Wall Wash	Downlight
0	498	498
5	558	345
10	574	192
15	576	123
20	562	94
25	537	72
30	491	56
35	413	42
40	306	34
45	212	31
50	159	31
55	129	28
60	111	23
65	98	17
70	90	9
75	70	0
80	45	0
85	27	0
90	0	0

Multiplier: 27K - 0.90
30K - 0.97
40K - 1.04

ZONAL LUMEN SUMMARY

Zone	Lumens	%Lamp	%Fixture
0-30°	298	N/A	44.1
0-40°	440	N/A	65.2
0-60°	593	N/A	87.9
0-90°	674	N/A	100.0
90-180°	0	N/A	0
0-180°	674	N/A	100.0

LUMINANCE (Average cd/m²)

Average 180°	
Degrees	Downlight Luminance
45	16433
55	12364
65	12737
75	14855
85	16665

FOOTCANDLES ON WALL FROM MULTIPLE FIXTURES

Fixture Distance to Wall	2'						3'					
	2'		3'		3'		4'					
Fixture Centers (spacing)	2'	3'	2'	3'	3'	4'	3'	4'	3'	4'	3'	
1'	27	25	27	21	13	21	12	11	12	11	7	11
2'	30	28	30	23	16	23	13	12	13	11	8	11
3'	32	32	32	23	20	23	14	13	14	12	8	12
4'	26	26	26	16	18	16	15	14	15	12	11	12
5'	19	19	19	13	13	13	14	14	14	11	11	11
6'	14	14	14	9	9	9	12	12	12	8	9	8
7'	11	11	11	7	7	7	9	9	9	7	7	7
8'	8	8	8	6	6	6	8	8	8	6	6	6
9'	7	7	7	5	5	5	7	7	7	5	5	5

*For 262G3 BWH trim, use 0.90 multiplier.

*Note: Multipliers are provided for estimating purposes only. Use IES photometric files for precise photometric information.