

JUNO

Project: _____

Fixture Type: _____

Location: _____

Contact/Phone: _____



6" IC 900 LUMEN WARMDIM® LED DOWNLIGHT NEW CONSTRUCTION

IC22LED WD (G4 09LM) RECESSED HOUSING WALL WASH TRIMS

PRODUCT DESCRIPTION

Dedicated LED, Air-Loc® sealed new construction housing with patented WarmDim® technology • LED color temperature warms while dimming to emulate the dimming performance of traditional incandescent light sources • Shallow housing allows for fit in 2 x 6 construction • Can be completely covered with insulation • Fully sealed housing stops infiltration and exfiltration of air, reducing heating and air cooling costs without the use of additional gaskets • LED housing is designed to provide 50,000 hours of life and is compatible with many standard Juno trims • 5 year limited warranty on LED components.

ENVIRONMENTALLY FRIENDLY, ENERGY EFFICIENT

- No harmful ultraviolet or infrared wavelengths
- No lead or mercury
- Comparable light output to 75W PAR30 incandescent

PRODUCT SPECIFICATIONS

LED Light Engine Proprietary patented micro processor controlled light engine emulates dimming performance of incandescent light source • Replaceable light engine integrated to thermally conductive housing provides uninterrupted heat transfer to ensure long life of the LEDs • 3000K color temperature at full lumen output • 90 CRI minimum throughout dimming range • Design covered under US Patent 8,710,754.

Optical System Painted white scoop is designed to work with computer-optimized reflector design to direct light toward wall for uniform illumination on vertical surfaces while concealing LED optic assembly and minimizing glare • LEDs are concealed by high transmission diffusing lens • Retention bar holds scoop assembly to trim • White or black baffle available.

Aesthetic Trim Selections Low profile scoop wall wash trim • Shadow free, knife edge design blends seamlessly into ceiling.

LED Driver Dedicated 120 volt driver • Power factor > 0.9 • Dimmable with the use of most incandescent, magnetic low voltage and electronic low voltage wall box dimmers • For a list of compatible dimmers, see [JUNOICLED-DIM](#) • Mounted between the j-box and housing for easy access and cool operation.

Life Rated for 50,000 hours at 70% lumen maintenance.

Labels UL listed for U.S. and Canada through-branch wiring, damp locations • Union made • UL and cUL.

Testing All reports are based on published industry procedures; field performance may differ from laboratory performance.

Product specifications subject to change without notice.

HOUSING FEATURES

Housing Designed for use in IC (insulated ceiling) or non-IC construction • Aluminum housing sealed for Air-Loc® compliance • Housing is vertically adjustable to accommodate up to a 2" ceiling thickness.

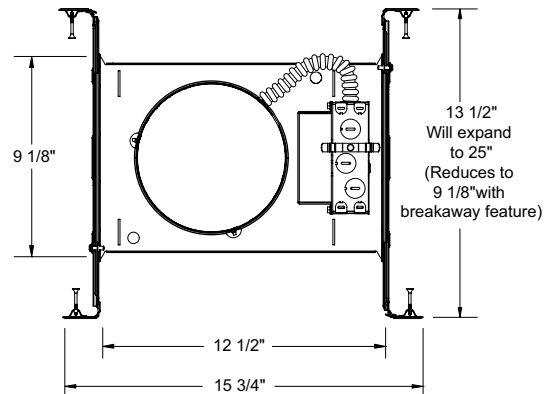
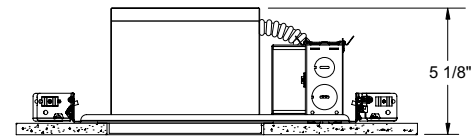
Junction Box Pre-wired junction box provided with (5) 1/2" and (1) 3/4" knockouts, (4) knockouts for 12/2 or 14/2 NM cable and ground wire • UL listed and cUL listed for through-branch wiring, maximum 8 #12 branch circuit conductors • Junction box provided with removable access plates • Knockouts equipped with pryout slots • Quick connect electrical connectors supplied as standard for fast, secure installation.

Mounting Frame 22-gauge die-formed galvanized steel mounting frame • Rough-in section (junction box, mounting frame, housing and bar hangers) fully assembled for ease of installation.

Real Nail 3 Bar Hangers Telescoping Real Nail® 3 system permits quick placement of housing anywhere within 24" O.C. joists or suspended ceilings • Includes removable nail for repositioning of fixture in wood joist construction • Integral T-bar notch and clip for suspended ceilings • Design covered under US Patent D552,969.



DIMENSIONS

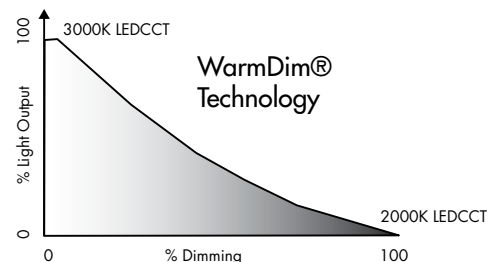


6 7/8" CEILING CUTOUT

ELECTRICAL DATA

Dedicated 120V Only Driver

120V	
Input Power	18.0W (+/- 5%)
Input Current	0.15A
Frequency	50/60 Hz
EMI/RFI	FCC Title 47 CFR, Part 15 Class B (residential)
Minimum starting temp	-25°C



**MAINSTREAM
DYNAMIC**
BY ACUITY BRANDS®

6" IC 900 LUMEN WARMDIM® LED DOWNLIGHT NEW CONSTRUCTION

IC22LED WD (G4 09LM) RECESSED HOUSING
WALL WASH TRIMS

ORDERING INFORMATION Housing and trim can be ordered together or separate, but will always ship separately.

Example: IC22LED WD G4 09LM 30K 90CRI 120 FRPC

Series	Dynamic Feature	Generation	Lumens	Color Temperature	CRI	Voltage	Driver
IC22LED 6" LED New Construction Downlight	WD Warm Dim	G4 Generation 4	09LM 900 Nominal Lumens	30K 3000K	90CRI 90+ CRI	120 120V	FRPC Forward/Reverse Phase Cut

Trim/Description



262G3 WWH

Wall Wash Scoop Trim - White Baffle, White Trim Ring

262G3 BWH

Wall Wash Scoop Trim - Black Baffle, White Trim Ring

Trim Size: 7 5/8" O.D.

Note: In Canada when insulation is present, Type IC fixtures must be used.

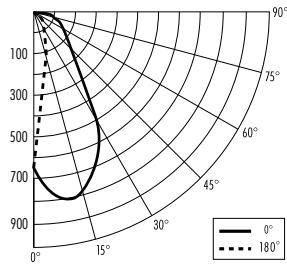
6" IC 900 LUMEN WARMDIM® LED DOWNLIGHT NEW CONSTRUCTION

IC22LED WD (G4 09LM) RECESSED HOUSING
WALL WASH TRIMS

PHOTOMETRICS

PHOTOMETRIC REPORT

Test Report #: PT04141005
Catalog No: IC22LED WD G4 09LM
30K with 262G3 WH Trim
Luminaire Spacing Criterion @ 90°: 0.94
Luminaire: 6" IC22LED WD G4 Downlight,
Scoop Type Wall Wash Trim



CANDLEPOWER DISTRIBUTION (Candelas)

Degrees	0°	180°
Vertical	Wall Wash	Downlight
0	653	653
5	757	466
10	802	259
15	785	125
20	718	72
25	615	50
30	499	38
35	363	31
40	240	25
45	147	24
50	101	23
55	89	21
60	84	17
65	76	12
70	68	6
75	58	1
80	42	0
85	27	0
90	13	0

ZONAL LUMEN SUMMARY

Zone	Lumens	%Lamp	%Fixture
0-30°	367	N/A	55.3
0-40°	495	N/A	74.7
0-60°	599	N/A	90.3
0-90°	663	N/A	100.0
90-180°	0	N/A	0
0-180°	663	N/A	100.0

LUMINANCE (Average cd/m²)

Average 180°	
Degrees	Downlight Luminance
45	11386
55	8470
65	9810
75	12295
85	16967

FOOTCANDLES ON WALL FROM MULTIPLE FIXTURES

Fixture Distance to Wall	2'			3'								
	2'	3'	4'	3'	4'	5'						
1'	20	19	20	15	11	15	8	8	8	7	6	7
2'	22	21	22	17	13	17	11	11	11	9	8	9
3'	28	28	28	21	17	21	11	10	11	9	7	9
4'	30	30	30	21	21	21	13	13	13	11	9	11
5'	26	26	26	18	18	18	14	15	14	11	11	11
6'	21	22	21	15	15	15	14	15	14	11	11	11
7'	17	18	17	12	13	12	13	14	13	10	11	10
8'	14	15	14	10	10	10	12	12	12	9	10	9
9'	11	11	11	8	9	8	10	10	10	8	8	8

*For 262G3 BWH trim, use 0.90 multiplier.

*Note: Multipliers are provided for estimating purposes only. Use IES photometric files for precise photometric information.