

JUNO

Project: _____

Fixture Type: _____

Location: _____

Contact/Phone: _____



6" IC 900 LUMEN WARMDIM® LED DOWNLIGHT NEW CONSTRUCTION

IC22LED WD (G4 09LM) RECESSED HOUSING

**OPEN TRIMS**

PRODUCT DESCRIPTION

Dedicated LED, Air-Loc® sealed new construction housing with patented WarmDim® technology • LED color temperature warms while dimming to emulate the dimming performance of traditional incandescent light sources • Shallow housing allows for fit in 2 x 6 construction • Can be completely covered with insulation • Fully sealed housing stops infiltration and exfiltration of air, reducing heating and air cooling costs without the use of additional gaskets • LED housing is designed to provide 50,000 hours of life and is compatible with many standard Juno trims • 5 year limited warranty on LED components.

ENVIRONMENTALLY FRIENDLY, ENERGY EFFICIENT

- No harmful ultraviolet or infrared wavelengths
- No lead or mercury
- Comparable light output to 75W PAR30 incandescent

PRODUCT SPECIFICATIONS

LED Light Engine Proprietary patented micro processor controlled light engine emulates dimming performance of incandescent light source • Replaceable light engine integrated to thermally conductive housing provides uninterrupted heat transfer to ensure long life of the LEDs • 3000K color temperature at full lumen output • 90 CRI minimum throughout dimming range • Design covered under Patent US 8,710,754.

Optical System Computer-optimized reflector design with high reflectance white finish coupled with a high transmission diffusing lens conceals the LEDs and produces uniform aperture luminance • Deep regression of lens produces a low glare, efficient system that can produce over 900 lumens with select trims • Wide flood distribution (>70°) shipped as standard with optional optic accessory available and sold separately.

Aesthetic Trim Selections Compatible with wide selection of existing Juno trims • Shadow free, knife edge design blends seamlessly into ceiling.

LED Driver Dedicated 120 volt driver • Power factor > 0.9 • Dimmable with the use of most incandescent, magnetic low voltage and electronic low voltage wall box dimmers • For a list of compatible dimmers, see [JUNOICLED-DIM](#)

- Mounted between the j-box and housing for easy access and cool operation.

Life Rated for 50,000 hours at 70% lumen maintenance.

Labels ENERGY STAR® Certified when used with select trims • Certified to the high efficacy requirements of California T24 JA8-2016 with select trims • UL listed for U.S. and Canada through-branch wiring, damp locations • Union made • UL and cUL.

Testing All reports are based on published industry procedures; field performance may differ from laboratory performance.

Product specifications subject to change without notice.

HOUSING FEATURES

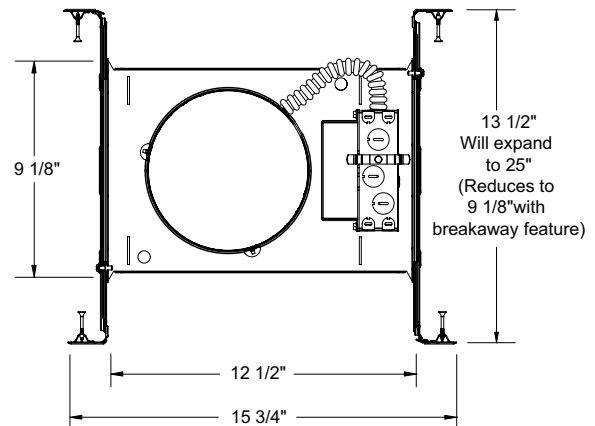
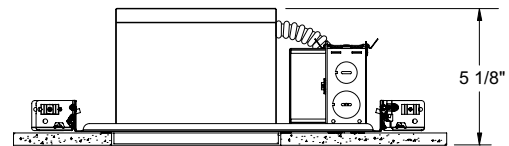
Housing Designed for use in IC (insulated ceiling) or non-IC construction • Aluminum housing sealed for Air-Loc® compliance • Housing is vertically adjustable to accommodate up to a 2" ceiling thickness.

Junction Box Pre-wired junction box provided with (5) 1/2" and (1) 3/4" knockouts, (4) knockouts for 12/2 or 14/2 NM cable and ground wire • UL listed and cUL listed for through-branch wiring, maximum 4 #12 branch circuit conductors • Junction box provided with removable access plates • Knockouts equipped with pryout slots • Quick connect electrical connectors supplied as standard for fast, secure installation.

Mounting Frame 22-gauge die-formed galvanized steel mounting frame • Rough-in section (junction box, mounting frame, housing and bar hangers) fully assembled for ease of installation.

Real Nail 3 Bar Hangers Telescoping Real Nail® 3 system permits quick placement of housing anywhere within 24" O.C. joists or suspended ceilings • Includes removable nail for repositioning of fixture in wood joist construction • Integral T-bar notch and clip for suspended ceilings • Design covered under US Patent D552,969.

DIMENSIONS

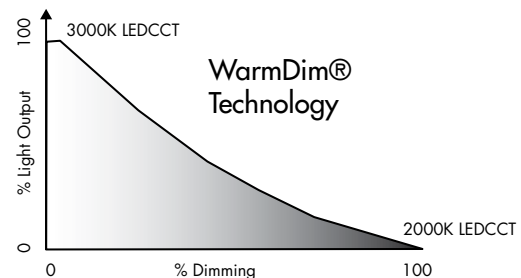


6 7/8" CEILING CUTOUT

ELECTRICAL DATA

Dedicated 120V Only Driver

120V	
Input Power	18.0W (+/- 5%)
Input Current	0.15A
Frequency	50/60 Hz
EMI/RFI	FCC Title 47 CFR, Part 15 Class B (residential)
Minimum starting temp	-25°C



**MAINSTREAM
DYNAMIC**
BY ACUITY BRANDS®

6" IC 900 LUMEN WARMDIM® LED DOWNLIGHT NEW CONSTRUCTION

IC22LED WD (G4 09LM) RECESSED HOUSING
OPEN TRIMS

ORDERING INFORMATION Housing and trim can be ordered together or separate, but will always ship separately.

Example: IC22LED WD G4 09LM 30K 90CRI 120 FRPC

Series	Dynamic Feature	Generation	Lumens	Color Temperature	CRI	Voltage	Driver
IC22LED 6" LED New Construction Downlight	WD Warm Dim	G4 Generation 4	09LM 900 Nominal Lumens	30K 3000K	90CRI 90+ CRI	120 120V	FRPC Forward/Reverse Phase Cut

Trim/Description

	24 BABZ ^{1,2}	Downlight Tapered Black Baffle, Classic Aged Bronze Trim Ring		9024 WWH	White Octagonal w/ White Baffle
	24 BBL ^{1,2}	Downlight Tapered Black Baffle, Black Trim Ring		9324 SC	Luminous Disk (Frosted)
	24 BSC ^{1,2}	Downlight Tapered Black Baffle, Satin Chrome Trim Ring		9524 SC	Chrome Band
	24 BWH ^{1,2}	Downlight Tapered Black Baffle, White Trim Ring		9702	Luminous Collar (Frosted)
	24 WWH	Downlight Tapered White Baffle, White Trim Ring			
	27 BWH ^{1,2}	Downlight Tapered Black Cone, White Trim Ring			
	27 CWH	Downlight Tapered Clear Cone Alzak®, White Ring			
	27 GWH	Downlight Tapered Gold Cone, White Trim Ring			
	27 HZWH	Downlight Tapered Haze Cone, White Trim Ring			
	27 PTSC	Downlight Tapered Pewter Cone, Satin Chrome Trim Ring			
	27 WHZABZ	Downlight Tapered Wheat Haze Cone, Classic Aged Bronze Trim Ring			
	27 WHZWH	Downlight Tapered Wheat Haze Cone, White Trim Ring			
	27 WWH	Downlight Tapered White Cone, White Trim Ring			

Trim Size: 24, 27, 9324, 9524 - 7^{5/8}" O.D.; 9702 - 7^{3/4}" O.D.; 9024 - 8" O.D.

Alzak is a registered trademark of Alcoa Corp.

Note: In Canada when insulation is present, Type IC fixtures must be used.

¹ Not ENERGY STAR® Certified

² Not T24 certified

Accessories

Catalog Number	Description
LEDOPTICG3 MFL	Medium Flood Optic (50°)

To order, specify catalog number.

Catalog Number	Description
TR6 ABZ	6" Trim Ring - Classic Aged Bronze
TR6 BL	6" Trim Ring - Black
TR6 SC	6" Trim Ring - Satin Chrome
TR6 WH	6" Trim Ring - White

To order, specify catalog number.

*TR6 available for 24 and 27 trim series only

6" IC 900 LUMEN WARMDIM® LED DOWNLIGHT NEW CONSTRUCTION

IC22LED WD (G4 09LM) RECESSED HOUSING
OPEN TRIMS

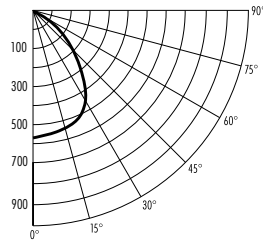
PHOTOMETRICS

PHOTOMETRIC REPORT

Test Report #: PT02140804
Catalog No: IC22LED WD G4 09LM
30K 120 with 24 WWH Trim
and standard wide flood optic

Luminaire Spacing Criterion: 1.18

Luminaire LPW: 54



CANDLEPOWER DISTRIBUTION (Candelas)

Degrees Vertical	0°
0	579
5	576
15	548
25	495
35	393
45	194
55	83
65	40
75	24
85	6
90	0

AVERAGE INITIAL FOOTCANDLES

Multiple Units (Square Array, 60"x60" room)
Ceiling 80% Wall 50% Floor 20%

Spacing	RCR1	RCR3	RCR5
4.0'	67	54	45
5.0'	43	34	29
6.0'	30	24	20
7.0'	24	19	16
8.0'	19	15	13
9.0'	15	12	10
10.0'	11	9	7

ZONAL LUMEN SUMMARY

Zone	Lumens	%Lamp	%Fixture
0-30°	436	N/A	44.6
0-40°	677	N/A	69.2
0-60°	906	N/A	92.6
0-90°	979	N/A	100.0

INITIAL FOOTCANDLES (One Unit, 18W, 80.5° Beam)

Distance to Illuminated Plane (Feet)	Footcandles Beam Center	Beam Diameter
4	61.2	6.8'
6	27.2	10.2'
8	15.3	13.5'
10	9.8	16.9'

LUMINANCE (Average cd/m²)

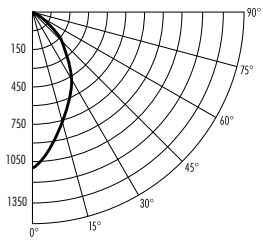
Degrees	Average Luminance
45	15003
55	7925
65	5236
75	4994
85	4022

PHOTOMETRIC REPORT

Test Report #: PT01121403R
Catalog No: IC22LED WD G4 09LM
30K 120 with 27 CWH Trim and
standard wide flood optic

Luminaire Spacing Criterion: 0.76

Luminaire LPW: 57



CANDLEPOWER DISTRIBUTION (Candelas)

Degrees Vertical	0°
0	1077
5	995
15	750
25	590
35	406
45	172
55	49
65	7
75	0
85	0
90	0

AVERAGE INITIAL FOOTCANDLES

Multiple Units (Square Array, 60"x60" room)
Ceiling 80% Wall 50% Floor 20%

Spacing	RCR1	RCR3	RCR5
4.0'	70	59	51
5.0'	45	38	33
6.0'	31	26	23
7.0'	25	21	18
8.0'	20	17	14
9.0'	15	13	11
10.0'	11	9	8

ZONAL LUMEN SUMMARY

Zone	Lumens	%Lamp	%Fixture
0-30°	573	N/A	56.3
0-40°	823	N/A	80.9
0-60°	1009	N/A	99.1
0-90°	1018	N/A	100.0

INITIAL FOOTCANDLES (One Unit, 18W, 56.4° Beam)

Distance to Illuminated Plane (Feet)	Footcandles Beam Center	Beam Diameter
4	67.3	4.3'
6	29.9	6.4'
8	16.8	8.6'
10	10.8	10.7'

LUMINANCE (Average cd/m²)

Degrees	Average Luminance
45	13352
55	4680
65	876
75	0
85	0

Fixtures tested to IES recommended standard for solid state lighting per LM-79-08. Photometric performance on a single unit represents a baseline of performance for the fixture. Results may vary in the field.