



Project: _____

Fixture Type: _____

Location: _____

Contact/Phone: _____



5" IC 600 LUMEN WARMDIM® LED DOWNLIGHT NEW CONSTRUCTION

IC20LED (WD G4N 06LM), RECESSED HOUSING WALL WASH TRIMS

PRODUCT DESCRIPTION

Dedicated LED, Air-Loc® sealed new construction housing with patented WarmDim® technology • LED color temperature warms while dimming to emulate the dimming performance of traditional incandescent light sources • Shallow housing allows for fit in 2 x 6 construction • Can be completely covered with insulation • Fully sealed housing stops infiltration and exfiltration of air, reducing heating and air cooling costs without the use of additional gaskets • LED housing is designed to provide 50,000 hours of life and is compatible with many standard Juno trims • 5 year limited warranty on LED components.

ENVIRONMENTALLY FRIENDLY, ENERGY EFFICIENT

- No harmful ultraviolet or infrared wavelengths
- No lead or mercury
- Comparable light output to 65W BR30 incandescent while consuming 10W

PRODUCT SPECIFICATIONS

LED Light Engine Proprietary patented micro processor controlled light engine emulates dimming performance of incandescent light source • Replaceable light engine integrated to thermally conductive housing provides uninterrupted heat transfer to ensure long life of the LEDs • 3000K color temperature at full lumen output • 90 CRI minimum throughout dimming range • Design covered under Patent US 8,710,754.

Optical System Painted white scoop is designed to work with computer-optimized reflector design to direct light toward wall for uniform illumination on vertical surfaces while concealing LED optic assembly and minimizing glare • LEDs are concealed by high transmission diffusing lens • Retention bar holds scoop assembly to trim • White or black baffle available.

Aesthetic Trim Selections Low profile scoop wall wash trim • Shadow free, knife edge design blends seamlessly into ceiling.

LED Driver Dedicated 120 volt driver • Power factor > 0.9 • Dimmable with the use of most incandescent, magnetic low voltage and electronic low voltage wall box dimmers • For a list of compatible dimmers, see [JUNOICLED-DIM](#) • Mounted between the j-box and housing for easy access and cool operation.

Life Rated for 50,000 hours at 70% lumen maintenance.

Labels UL listed for U.S. and Canada, through-branch wiring and damp locations • Union made • UL and cUL.

Testing All reports are based on published industry procedures; field performance may differ from laboratory performance.

Specifications subject to change without notice.

HOUSING FEATURES

Housing Designed for use in IC (insulated ceiling) or non-IC construction • Aluminum housing sealed for Air-Loc® compliance • Housing is vertically adjustable to accommodate up to a 2" ceiling thickness.

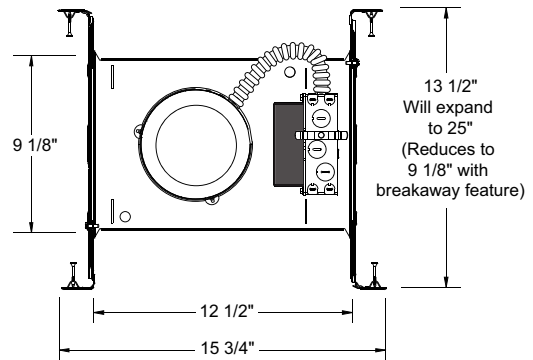
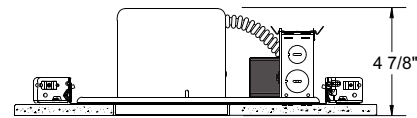
Junction Box Pre-wired junction box provided with (5) ½" and (1) ¾" knockouts, (4) knockouts for 12/2 or 14/2 NM cable and ground wire • UL listed and cUL listed for through-branch wiring, maximum 8 #12 branch circuit conductors • Junction box provided with removable access plates • Knockouts equipped with pryout slots • Quick connect electrical connectors supplied as standard for fast, secure installation.

Mounting Frame 22-gauge die-formed galvanized steel mounting frame • Rough-in section (junction box, mounting frame, housing and bar hangers) fully assembled for ease of installation.

Real Nail 3 Bar Hangers Telescoping Real Nail® 3 system permits quick placement of housing anywhere within 24" O.C. joists or suspended ceilings • Includes removable nail for repositioning of fixture in wood joist construction • Integral T-bar notch and clip for suspended ceilings • Design covered under US Patent D552,969.



DIMENSIONS

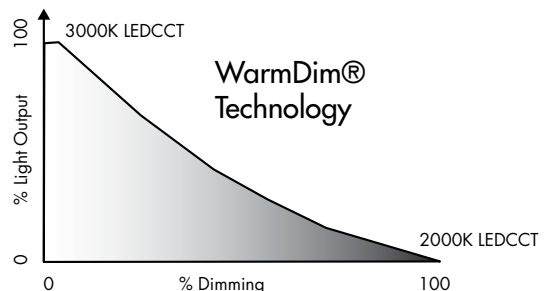


5 5/8" CEILING CUTOUT

ELECTRICAL DATA

Dedicated 120V Only Driver

120V	
Input Power	10W (+/- 5%)
Input Current	0.08A
Frequency	50/60 Hz
EMI/RFI	FCC Title 47 CFR, Part 15, Class B (residential)
Minimum starting temp	-20°C



**MAINSTREAM
DYNAMIC**
BY ACUITY BRANDS®

5" IC 600 LUMEN WARMDIM® LED DOWNLIGHT NEW CONSTRUCTION

IC20LED (WD G4N 06LM), RECESSED HOUSING
WALL WASH TRIMS

ORDERING INFORMATION Housing and trim can be ordered together or separate, but will always ship separately.

Example: IC20LED WD G4N 06LM 30K 90CRI 120 FRPC

Series	Dynamic Feature	Generation	Lumens	Color Temperature	CRI	Voltage	Driver
IC20LED 5" LED IC New Construction Downlight	WD Warm Dim	G4N Generation 4 New	06LM 600 Nominal Lumens	30K 3000K	90CRI 90+ CRI	120 120V	FRPC Forward/ Reverse Phase Cut

Trim/Description



213G3 WWH 5" Wall Wash Scoop Trim - White Baffle, White Trim Ring

213G3 BWH 5" Wall Wash Scoop Trim - Black Baffle, White Trim Ring

Trim Size: 6 1/4" O.D.

Note: In Canada, when insulation is present, Type IC fixtures must be used

PHOTOMETRIC REPORT

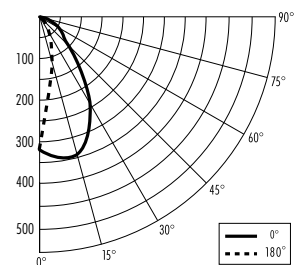
Test Report #: PT09141106

Catalog No: IC20LED WD G4N 06LM 30K 120 FRPC with 213G3 WWH Trim

Luminaire Spacing Criterion @ 90°: 1.16

Luminaire LPW: 40

Luminaire Wattage: 10



CANDLEPOWER DISTRIBUTION (Candelas)

Degrees	0°	180°
Vertical	Wall Wash	Downlight
0	326	326
5	345	277
10	351	191
15	345	118
20	325	83
25	295	66
30	248	53
35	181	43
40	121	35
45	89	29
50	71	24
55	62	21
60	55	16
65	48	11
70	42	7
75	31	3
80	20	0
85	11	0
90	3	0

ZONAL LUMEN SUMMARY

Zone	Lumens	%Lamp	%Fixture
0 - 30°	195	N/A	49.0
0 - 40°	273	N/A	68.5
0 - 60°	356	N/A	89.2
0 - 90°	399	N/A	100.0
90 - 180°	0	N/A	0
0 - 180°	399	N/A	100.0

LUMINANCE (Average cd/m²)

Degrees	Average 180° Downlight Luminance
45	11894
55	10299
65	10725
75	11211
85	11750

FOOTCANDLES ON WALL FROM MULTIPLE FIXTURES

Fixture Distance to Wall	2'						3'					
	2'			3'			3'			4'		
Fixture Centers (spacing)	1'	2'	3'	1'	2'	3'	1'	2'	3'	1'	2'	3'
1'	11	11	11	9	7	9	4	4	4	4	3	4
2'	15	15	15	11	10	11	7	7	7	6	5	6
3'	16	16	16	12	10	12	7	7	7	6	5	6
4'	16	16	16	11	11	11	8	8	8	6	6	6
5'	13	13	13	9	10	9	8	8	8	6	6	6
6'	11	11	11	8	8	8	8	8	8	6	6	6
7'	9	9	9	6	6	6	7	7	7	6	6	6
8'	7	7	7	5	5	5	6	6	6	5	5	5
9'	6	6	6	4	4	4	5	5	5	4	4	4

*For 213G3 BWH trim, use 0.84 multiplier.

*Note: Multipliers are provided for estimating purposes only. Use IES photometric files for precise photometric information.