



Project: \_\_\_\_\_

Fixture Type: \_\_\_\_\_

Location: \_\_\_\_\_

Contact/Phone: \_\_\_\_\_



# 5" IC 600 LUMEN WARMDIM® LED DOWNLIGHT NEW CONSTRUCTION

## IC20LED (WD G4N 06LM), RECESSED HOUSING LENSED TRIMS

### PRODUCT DESCRIPTION

Dedicated LED, Air-Loc® sealed new construction housing with patented WarmDim® technology • LED color temperature warms while dimming to emulate the dimming performance of traditional incandescent light sources • Shallow housing allows for fit in 2 x 6 construction • Can be completely covered with insulation • Fully sealed housing stops infiltration and exfiltration of air, reducing heating and air cooling costs without the use of additional gaskets • LED housing is designed to provide 50,000 hours of life and is compatible with many standard Juno trims • 5 year limited warranty on LED components.

### ENVIRONMENTALLY FRIENDLY, ENERGY EFFICIENT

- No harmful ultraviolet or infrared wavelengths
- No lead or mercury
- Comparable light output to 75W PAR30 incandescent

### PRODUCT SPECIFICATIONS

**LED Light Engine** Proprietary patented micro processor controlled light engine emulates dimming performance of incandescent light source • Replaceable light engine integrated to thermally conductive housing provides uninterrupted heat transfer to ensure long life of the LEDs • 3000K color temperature at full lumen output • 90 CRI minimum throughout dimming range • Design covered under Patent US 8,710,754.

**Optical System** Computer-optimized reflector design with high reflectance white finish coupled with a high transmission diffusing lens conceals the LEDs and produces uniform aperture luminance • Wide flood (>70°) distribution shipped as standard with optional optic accessory available and sold separately.

**Aesthetic Trim Selections** Compatible with wide selection of existing Juno trims • Shadow free, knife edge design blends seamlessly into ceiling • Trims are wet location approved for covered applications.

**LED Driver** Dedicated 120 volt driver • Power factor > 0.9 • Dimmable with the use of most incandescent, magnetic low voltage and electronic low voltage wall box dimmers • For a list of compatible dimmers, see [JUNOICLED-DIM](#) • Mounted between the j-box and housing for easy access and cool operation.

**Life** Rated for 50,000 hours at 70% lumen maintenance.

**Labels** UL listed for U.S. and Canada through-branch wiring, damp locations • Union made • UL and cUL.

**Testing** All reports are based on published industry procedures; field performance may differ from laboratory performance. Specifications subject to change without notice.

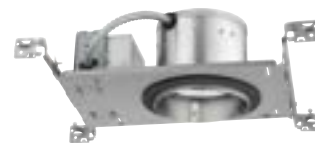
### HOUSING FEATURES

**Housing** Designed for use in IC (insulated ceiling) or non-IC construction • Aluminum housing sealed for Air-Loc® compliance • Housing is vertically adjustable to accommodate up to a 2" ceiling thickness.

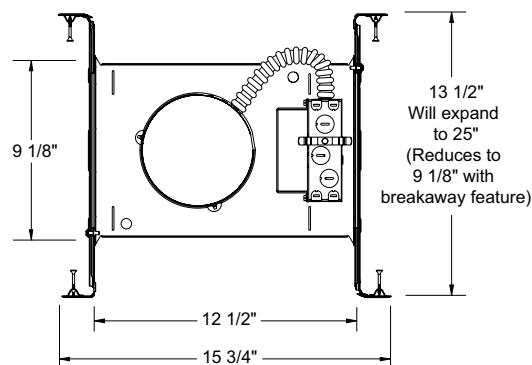
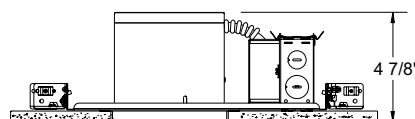
**Junction Box** Pre-wired junction box provided with (5) ½" and (1) ¾" knockouts, (4) knockouts for 12/2 or 14/2 NM cable and ground wire • UL listed and cUL listed for through-branch wiring, maximum 8 #12 branch circuit conductors • Junction box provided with removable access plates • Knockouts equipped with pryout slots • Quick connect electrical connectors supplied as standard for fast, secure installation.

**Mounting Frame** 22-gauge die-formed galvanized steel mounting frame • Rough-in section (junction box, mounting frame, housing and bar hangers) fully assembled for ease of installation.

**Real Nail 3 Bar Hangers** Telescoping Real Nail® 3 system permits quick placement of housing anywhere within 24" O.C. joists or suspended ceilings • Includes removable nail for repositioning of fixture in wood joist construction • Integral T-bar notch and clip for suspended ceilings • Design covered under US Patent D552,969.



### DIMENSIONS

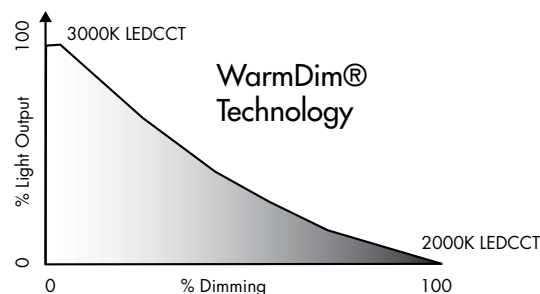


5 5/8" CEILING CUTOUT

### ELECTRICAL DATA

#### Dedicated 120V Only Driver

120V	
Input Power	10W (+/-5%)
Input Current	0.08A
Frequency	50/60 Hz
EMI/RFI	FCC Title 47 CFR, Part 15 Class B (residential)
Minimum starting temp	-25°C



**MAINSTREAM  
DYNAMIC**  
BY ACUITY BRANDS®

# 5" IC 600 LUMEN WARMDIM® LED DOWNLIGHT NEW CONSTRUCTION

IC20LED (WD G4N 06LM), RECESSED HOUSING  
**LENSED TRIMS**

**ORDERING INFORMATION** Housing and trim can be ordered together or separate, but will always ship separately.

Example: IC20LED WD G4N 06LM 30K 90CRI 120 FRPC

Series	Dynamic Feature	Generation	Lumens	Color Temperature	CRI	Voltage	Driver
IC20LED 5" LED IC New Construction Downlight	WD Warm Dim	G4N Generation 4 New	06LM 600 Nominal Lumens	30K 3000K	90CRI 90+ CRI	120 120V	FRPC Forward/ Reverse Phase Cut

## Trim/Description




**210N WH \*** 5" Lensed Flat Glass Shower Trim - White

**210N SC \*** 5" Lensed Flat Glass Shower Trim - Satin Chrome

**210N ABZ \*** 5" Lensed Flat Glass Shower Trim - Classic Aged Bronze




**212N WH \*** 5" Lensed Frosted Lens with Clear Center Trim - White

**212N SC \*** 5" Lensed Frosted Lens with Clear Center Trim - Satin Chrome

**212N ABZ \*** 5" Lensed Frosted Lens with Clear Center Trim - Classic Aged Bronze




**2130 WWH \*** 5" Lensed Baffle with Regressed Frosted Dome Lens Trim - White Baffle, White Trim Ring

**2130 BWH \*** 5" Lensed Baffle with Regressed Frosted Dome Lens Trim - Black Baffle, Black Trim Ring




**5101 ABZ \*** 5" Lensed Beveled Frame with Frosted Dome Lens Trim - Classic Aged Bronze

**5101 SC \*** 5" Lensed Beveled Frame with Frosted Dome Lens Trim - Satin Chrome

**5101 WH \*** 5" Lensed Beveled Frame with Frosted Dome Lens Trim - White

UL Listed for use in wet location.

\* Do not use reflector shipped with trim for LED housing.

Trim Size: 210, 212, 2130 - 6 1/4" O.D.; 5101 - 6 1/2" O.D.

Note: In Canada when insulation is present, Type IC fixtures must be used.

JUNO IC housings meet IECC Energy Code requirements per ASTM E283.



Air-Loc® rated trims are pre-gasketed for minimum air leakage with IC housings.

## Accessories (ordered separately)

Catalog Number	Description
----------------	-------------

LEDOPTICG3 MFL	Medium Flood Optic (50°)
----------------	--------------------------

To order, specify catalog number.

# 5" IC 600 LUMEN WARMDIM® LED DOWNLIGHT NEW CONSTRUCTION

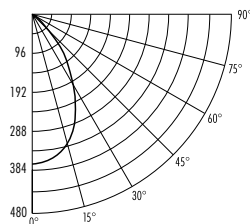
IC20LED (WD G4N 06LM), RECESSED HOUSING  
LENS TRIMS

## PHOTOMETRIC REPORT

Test Report #: PT09141105  
Catalog No: IC20LED WD G4N 06LM 30K  
with 210N WH Trim and  
Standard Wide Flood Optic

Luminaire Spacing Criterion: 0.98

Luminaire LPW: 46



## CANDLEPOWER DISTRIBUTION (Candelas)

Degrees Vertical	0°
0	358
5	354
15	326
25	256
35	146
45	70
55	37
65	21
75	10
85	3
90	0

## AVERAGE INITIAL FOOTCANDLES

Multiple Units (Square Array, 60'x60' room)

Ceiling 80% Wall 50% Floor 20%

Spacing	RCR1	RCR3	RCR5
4.0'	31	26	22
5.0'	20	16	14
6.0'	14	11	10
7.0'	11	9	8
8.0'	9	7	6
9.0'	7	6	5
10.0'	5	4	3

## ZONAL LUMEN SUMMARY

Zone	Lumens	%Lamp	%Fixture
0-30°	241	N/A	52.7
0-40°	333	N/A	72.9
0-60°	422	N/A	92.4
0-90°	456	N/A	100.0

## INITIAL FOOTCANDLES

(One Unit, 10W, 64.1° Beam)

Distance to Illuminated Plane (Feet)	Footcandles Beam Center	Beam Diameter
4	22.4	5.0'
6	9.9	7.5'
8	5.6	10.0'
10	3.6	12.5'

## LUMINANCE (Average cd/m<sup>2</sup>)

Degrees	Average Luminance
45	12465
55	8154
65	6188
75	5004
85	3751

Fixtures tested to IES recommended standard for solid state lighting per LM-79-08. Photometric performance on a single unit represents a baseline of performance for the fixture. Results may vary in the field.