



Project: _____

Fixture Type: _____

Location: _____

Contact/Phone: _____

5" IC 600 LUMEN LED DOWNLIGHT NEW CONSTRUCTION

IC20LED (G4 06LM), RECESSED HOUSING



WALL WASH TRIMS

PRODUCT DESCRIPTION

Dedicated LED, Air-Loc® sealed new construction housing with integral light engine • Shallow housing allows for fit in 2 x 6 construction • Can be completely covered with insulation • Fully sealed housing stops infiltration and exfiltration of air, reducing heating and air cooling costs without the use of additional gaskets • LED housing is designed to provide 50,000 hours of life and is compatible with many standard Juno trims • 5 year limited warranty on LED components.

ENVIRONMENTALLY FRIENDLY, ENERGY EFFICIENT

- No harmful ultraviolet or infrared wavelengths
- No lead or mercury
- Comparable light output to 65W BR30 incandescent

PRODUCT SPECIFICATIONS

LED Light Engine LED array integrated to thermally conductive housing provides uninterrupted heat transfer to ensure long life of the LED

- Replaceable light engine mounts directly to housing and incorporates the latest generation, high lumen output LED array • LEDs are binned within a 3-step MacAdam Ellipse exceeding ENERGY STAR® requirements for superior fixture to fixture color uniformity • 2700K, 3000K, 3500K, or 4000K color temperatures available • 90 CRI minimum.

Optical System Painted white scoop is designed to work with computer-optimized reflector design to direct light toward wall for uniform illumination on vertical surfaces while concealing LED optic assembly and minimizing glare • LEDs are concealed by high transmission diffusing lens • Retention bar holds scoop assembly to trim • White or black baffle available.

Aesthetic Trim Selections Low profile scoop wall wash trim • Shadow free, knife edge design blends seamlessly into ceiling.

LED Driver Choice of dedicated 120 volt (120) driver or universal voltage (MVOLT) drivers that accommodate input voltages from 120-277 volts AC at 50/60Hz • Power factor > 0.9 at 120V input • 120 volt only driver is dimmable with the use of most incandescent, magnetic low voltage and electronic low voltage wall box dimmers • Universal voltage drivers are dimmable with the use of most 0-10V wall box dimmers • For a list of compatible dimmers, see [JUNOICLED-DIM](#) • Mounted between the j-box and housing for easy access and cool operation.

Life Rated for 50,000 hours at 70% lumen maintenance.

Labels UL listed for U.S. and Canada through-branch wiring, damp locations • Union made • UL and cUL.

Testing All reports are based on published industry procedures; field performance may differ from laboratory performance.

Specifications subject to change without notice.

HOUSING FEATURES

Housing Designed for use in IC (insulated ceiling) or non-IC construction • Aluminum housing sealed for Air-Loc® compliance • Housing is vertically adjustable to accommodate up to a 2" ceiling thickness.

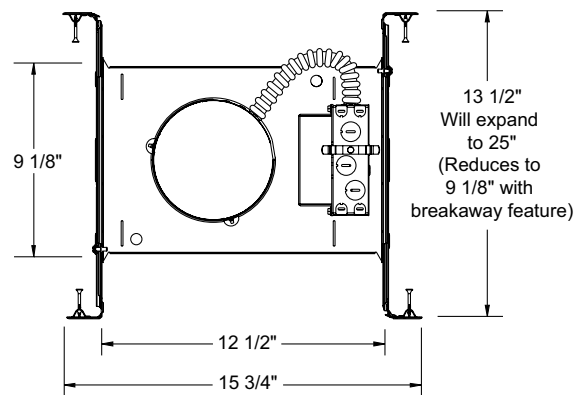
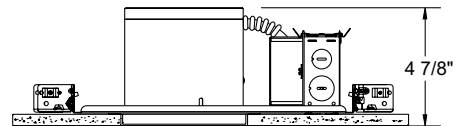
Junction Box Pre-wired junction box provided with (5) ½" knockouts, (4) knockouts for 12/2 or 14/2 NM cable and ground wire • UL listed and cUL listed for through-branch wiring, maximum 8 #12 branch circuit conductors • Junction box provided with removable access plates • Knockouts equipped with pryout slots • Quick connect electrical connectors supplied as standard for fast, secure installation.

Mounting Frame 22-gauge die-formed galvanized steel mounting frame • Rough-in section (junction box, mounting frame, housing and bar hangers) fully assembled for ease of installation.

Real Nail 3 Bar Hangers Telescoping Real Nail® 3 system permits quick placement of housing anywhere within 24" O.C. joists or suspended ceilings • Includes removable nail for repositioning of fixture in wood joist construction • Integral T-bar notch and clip for suspended ceilings • Design covered under US Patent D552,969.



DIMENSIONS



5 5/8" CEILING CUTOUT

5" IC 600 LUMEN LED DOWNLIGHT NEW CONSTRUCTION

IC20LED (G4 06LM), RECESSED HOUSING WALL WASH TRIMS

ELECTRICAL DATA

Dedicated 120V Only Driver Option (120 FRPC)

	120V
Input Power	8.6W (+/-5%)
Input Current	0.07A
Frequency	50/60Hz
EMI/RFI	FCC Title 47 CFR, Part 15, Class B (residential)
Minimum starting temp	-25°C

ELECTRICAL DATA

Universal Voltage

	MVOLT EZ10 and EZ1		MVOLT ZT10 and ZT1	
	120V	277V	120V	277V
Input Power	8.3W (+/-5%)	8.9W (+/-5%)	8.3W (+/-5%)	8.9W (+/-5%)
Input Current	0.07A	0.03A	0.07A	0.03A
Frequency	50/60Hz	50/60Hz	50/60Hz	50/60Hz
EMI/RFI	FCC Title 47 CFR, Part 15, Class B (residential)	FCC Title 47 CFR, Part 15, Class B (residential)	FCC Title 47 CFR, Part 15, Class B (residential)	FCC Title 47 CFR, Part 15, Class B (residential)
Minimum starting temp	-20°C	-20°C	-20°C	-20°C

ORDERING INFORMATION

Housing and trim can be ordered together or separate, but will always ship separately.

Example: IC20LED G4 06LM 30K 90CRI 120 FRPC

Series	Generation	Lumens	Color Temperature	CRI	Voltage/Driver
IC20LED 5" LED IC New Construction Downlight	G4 Generation 4	06LM 600 Nominal Lumens	27K 2700K	90CRI 90+ CRI	120 FRPC 120V Forward/Reverse Phase Cut, 5% dim
			30K 3000K		MVOLT ZT10 Multi-Volt (120-277), 0-10V, 10% dim
			35K 3500K		MVOLT ZT1 Multi-Volt (120-277), 0-10V, 1% dim
			40K 4000K		MVOLT EZ10 Multi-Volt (120-277), eLdoLED 0-10V, 10% dim
					MVOLT EZ1 Multi-Volt (120-277), eLdoLED 0-10V, 1% dim



A+ Capable options indicated by this color background

Trim/Description



213G3 WWH 5" Wall Wash Scoop Trim - White Baffle, White Trim Ring

213G3 BWH 5" Wall Wash Scoop Trim - Black Baffle, White Trim Ring

Trim Size: 6 1/4" O.D.

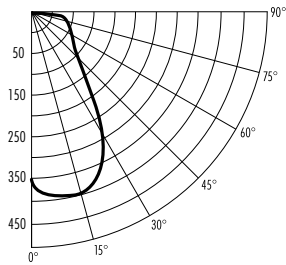
Note: In Canada, when insulation is present, Type IC fixtures must be used

5" IC 600 LUMEN LED DOWNLIGHT NEW CONSTRUCTION

IC20LED (G4 06LM), RECESSED HOUSING WALL WASH TRIMS

PHOTOMETRIC REPORT

Test Report #: PT10112405R
Catalog No: IC20LED G4 06LM 35K
with 213G3 WWH Trim
Luminaire Spacing Criterion @ 90°: 1.00
Luminaire: 5" ICLEDG4 Downlight,
Scoop Type Wall Wash Trim



CANDLEPOWER DISTRIBUTION (Candelas)

Degrees	0°
Vertical	
0	354
5	389
10	396
15	392
20	372
25	338
30	287
35	215
40	147
45	110
50	89
55	75
60	67
65	60
70	53
75	39
80	24
85	14
90	0

Multiplier: 27K - 0.89
30K - 0.94
40K - 1.03

ZONAL LUMEN SUMMARY

Zone	Lumens	%Lamp	%Fixture
0 - 30°	205	N/A	47.6
0 - 40°	288	N/A	66.9
0 - 60°	380	N/A	88.3
0 - 90°	431	N/A	100.0

LUMINANCE (Average cd/m²)

Degrees	Average Luminance
45	12277
55	10523
65	11151
75	11819
85	12332

FOOTCANDLES ON WALL FROM MULTIPLE FIXTURES

Fixture Distance to Wall	2'						3'					
	2'			3'			3'			4'		
Fixture Centers (spacing)	17	15	17	13	8	13	6	5	6	5	3	5
1'	17	16	17	13	9	13	7	7	7	6	5	6
2'	17	17	17	13	9	13	7	7	7	6	5	6
3'	15	15	15	11	9	11	7	7	7	6	5	6
4'	12	12	12	7	8	7	7	7	7	6	5	6
5'	9	9	9	6	6	6	6	6	6	5	5	5
6'	7	7	7	5	4	5	6	6	6	4	4	4
7'	5	5	5	4	4	4	5	5	5	4	4	4
8'	4	4	4	3	3	3	4	4	4	3	3	3
9'												

*For 213G3 BWH trim, use 0.84 multiplier.

*Note: Multipliers are provided for estimating purposes only. Use IES photometric files for precise photometric information.