

JUNO®

Project: _____

Fixture Type: _____

Location: _____

Contact/Phone: _____

5" IC 600 LUMEN LED DOWNLIGHT NEW CONSTRUCTION

IC20LED (G4 06LM), RECESSED HOUSING

HYPERBOLIC TRIMS


PRODUCT DESCRIPTION

Dedicated LED, Air-Loc® sealed new construction housing with integral light engine • Shallow housing allows for fit in 2 x 6 construction • Can be completely covered with insulation • Fully sealed housing stops infiltration and exfiltration of air, reducing heating and air cooling costs without the use of additional gaskets • LED housing is designed to provide 50,000 hours of life and is compatible with many standard Juno trims • 5 year limited warranty on LED components.

ENVIRONMENTALLY FRIENDLY, ENERGY EFFICIENT

- No harmful ultraviolet or infrared wavelengths
- No lead or mercury
- Comparable light output to 65W BR30 incandescent

PRODUCT SPECIFICATIONS

LED Light Engine LED array integrated to thermally conductive housing provides uninterrupted heat transfer to ensure long life of the LED

- Replaceable light engine mounts directly to housing and incorporates the latest generation, high lumen output LED array • LEDs are binned within a 3-step MacAdam Ellipse exceeding ENERGY STAR® requirements for superior fixture to fixture color uniformity • 2700K, 3000K, 3500K, or 4000K color temperatures available • 90 CRI minimum.

Hyperbolic Optical System Patent pending unique hyperbolic reflector shape optimized for small, directional LED source provides unique aperture appearance with reduced brightness • NMCT™ nano mixing chamber (provided with trim) with high reflectance white finish coupled with a high transmission diffusing lens conceals the LED and integrates with the hyperbolic trim to create a low glare, efficient system producing over 600 lumens using less than 9W*.

Aesthetic Trim Selections Patent pending hyperbolic reflector available in clear Alzak®, wheat haze, black Alzak® and white • Shadow free, knife edge design blends seamlessly into ceiling • Installs with torsion springs.

LED Driver Choice of dedicated 120 volt (120) driver or universal voltage (MVOLT) drivers that accommodate input voltages from 120-277 volts AC at 50/60Hz • Power factor > 0.9 at 120V input • 120 volt only driver is dimmable with the use of most incandescent, magnetic low voltage and electronic low voltage wall box dimmers • Universal voltage drivers are dimmable with the use of most 0-10V wall box dimmers • For a list of compatible dimmers, see [JUNOICLED-DIM](#) • Mounted between the j-box and housing for easy access and cool operation.

Life Rated for 50,000 hours at 70% lumen maintenance.

Labels ENERGY STAR® Certified when used with select trims • Certified to the high efficacy requirements of California T24 JA8-2016 with select trims • UL listed for U.S and Canada through-branch wiring, damp locations • Union made • UL and cUL.

Testing All reports are based on published industry procedures; field performance may differ from laboratory performance.

Specifications subject to change without notice.

HOUSING FEATURES

Housing Designed for use in IC (insulated ceiling) or non-IC construction • Aluminum housing sealed for Air-Loc® compliance • Housing is vertically adjustable to accommodate up to a 2" ceiling thickness.

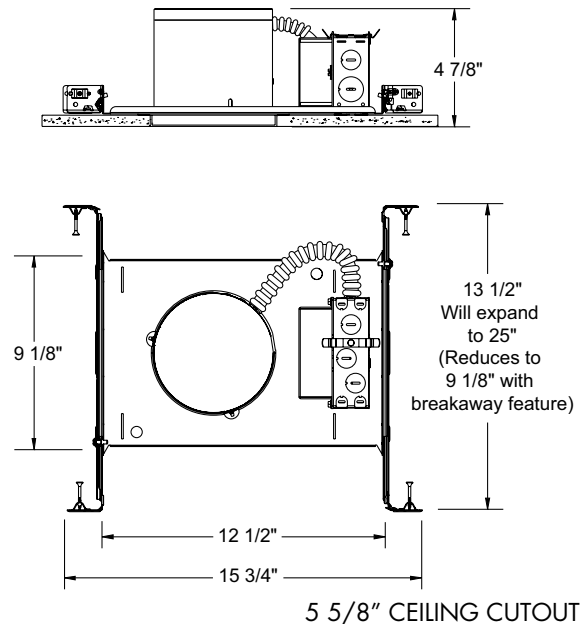
Junction Box Pre-wired junction box provided with (5) ½" and (1) ¾" knockouts, (4) knockouts for 12/2 or 14/2 NM cable and ground wire • UL listed and cUL listed for through-branch wiring, maximum 8 #12 branch circuit conductors • Junction box provided with removable access plates • Knockouts equipped with pryout slots • Quick connect electrical connectors supplied as standard for fast, secure installation.

Mounting Frame 22-gauge die-formed galvanized steel mounting frame • Rough-in section (junction box, mounting frame, housing and bar hangers) fully assembled for ease of installation.

Real Nail 3 Bar Hangers Telescoping Real Nail® 3 system permits quick placement of housing anywhere within 24" O.C. joists or suspended ceilings • Includes removable nail for repositioning of fixture in wood joist construction • Integral T-bar notch and clip for suspended ceilings • Design covered under US Patent D552,969.



DIMENSIONS



5 5/8" CEILING CUTOUT

5" IC 600 LUMEN LED DOWNLIGHT NEW CONSTRUCTION

IC20LED (G4 06LM), RECESSED HOUSING HYPERBOLIC TRIMS

ELECTRICAL DATA

Dedicated 120V Only Driver Option (120 FRPC)

	120V
Input Power	8.6W (+/-5%)
Input Current	0.07A
Frequency	50/60Hz
EMI/RFI	FCC Title 47 CFR, Part 15, Class B (residential)
Minimum starting temp	-25°C

ELECTRICAL DATA

Universal Voltage

	MVOLT EZ10 and EZ1		MVOLT ZT10 and ZT1	
	120V	277V	120V	277V
Input Power	8.3W (+/-5%)	8.9W (+/-5%)	8.3W (+/-5%)	8.9W (+/-5%)
Input Current	0.07A	0.03A	0.07A	0.03A
Frequency	50/60Hz	50/60Hz	50/60Hz	50/60Hz
EMI/RFI	FCC Title 47 CFR, Part 15, Class B (residential)	FCC Title 47 CFR, Part 15, Class B (residential)	FCC Title 47 CFR, Part 15, Class B (residential)	FCC Title 47 CFR, Part 15, Class B (residential)
Minimum starting temp	-20°C	-20°C	-20°C	-20°C

ORDERING INFORMATION

Housing and trim can be ordered together or separate, but will always ship separately.

Example: IC20LED G4 06LM 30K 90CRI 120 FRPC

Series	Generation	Lumens	Color Temperature	CRI	Voltage/Driver
IC20LED 5" LED IC New Construction Downlight	G4 Generation 4	06LM 600 Nominal Lumens	27K 2700K 30K 3000K 35K 3500K 40K 4000K	90CRI 90+ CRI	120 FRPC 120V Forward/Reverse Phase Cut, 5% dim MVOLT ZT10 Multi-Volt (120-277), 0-10V, 10% dim MVOLT ZT1 Multi-Volt (120-277), 0-10V, 1% dim MVOLT EZ10 Multi-Volt (120-277), eldoLED 0-10V, 10% dim MVOLT EZ1 Multi-Volt (120-277), eldoLED 0-10V, 1% dim



A+ Capable options indicated by this color background

Trim/Description



204HYP2 BWH ¹	5" Hyperbolic Cone Trim - Black Alzak® Cone, White Trim Ring	¹ Not ENERGY STAR® Certified or T24 Certified
204HYP2 CWH	5" Hyperbolic Cone Trim - Clear Alzak® Cone, White Trim Ring	
204HYP2 HZWH	5" Hyperbolic Cone Trim - Haze Cone, White Trim Ring	
204HYP2 WHZABZ ¹	5" Hyperbolic Cone Trim - Wheat Haze Cone, Classic Aged Bronze Trim Ring	
204HYP2 WHZWH ¹	5" Hyperbolic Cone Trim - Wheat Haze Cone, White Trim Ring	
204HYP2 WWH	5" Hyperbolic Cone Trim - White Cone, White Trim Ring	

Trim Size: 6¼" O.D.

Alzak® is a registered trademark of Alcoa Corp.

Note: In Canada when insulation is present, Type IC fixtures must be used.

Accessories (ordered separately)

Catalog Number	Description
TR5 ABZ	5" Trim Ring - Classic Aged Bronze
TR5 BL	5" Trim Ring - Black
TR5 SC	5" Trim Ring - Satin Chrome
TR5 WH	5" Trim Ring - White

To order, specify catalog number.

5" IC 600 LUMEN LED DOWNLIGHT NEW CONSTRUCTION

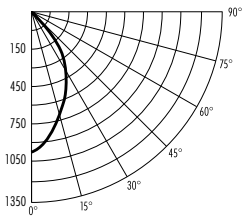
IC20LED (G4 06LM), RECESSED HOUSING
HYPERBOLIC TRIMS

PHOTOMETRIC REPORT

Test Report #: PT02141405
Catalog No: IC20LED G4 06LM 30K
with 204HYP2 HZWH Trim
and standard nano mixing
chamber

Luminaire Spacing Criterion: 0.76

Luminaire LPW: 82



CANDLEPOWER DISTRIBUTION (Candelas)

Degrees	0°
Vertical	0°
0	976
5	933
15	722
25	498
35	240
45	43
55	0
65	0
75	0
85	0
90	0

Multiplier: 27K - 0.89
30K - 0.94
40K - 1.03

AVERAGE INITIAL FOOTCANDLES

Multiple Units (Square Array, 60'x60' room)
Ceiling 80% Wall 50% Floor 20%

Spacing	RCR1	RCR3	RCR5
4.0'	49	43	37
5.0'	31	27	24
6.0'	22	19	17
7.0'	18	15	13
8.0'	14	12	11
9.0'	11	9	8
10.0'	8	7	6

ZONAL LUMEN SUMMARY

Zone	Lumens	%Lamp	%Fixture
0-30°	516	N/A	73.4
0-40°	665	N/A	94.6
0-60°	703	N/A	100.0
0-90°	703	N/A	100.0

INITIAL FOOTCANDLES (One Unit, 8.6W , 51.1° Beam)

Distance to Illuminated Plane (Feet)	Footcandles Beam Center	Beam Diameter
4	61.0	3.8'
6	27.1	5.7'
8	15.2	7.6'
10	9.8	9.6'

LUMINANCE (Average cd/m²)

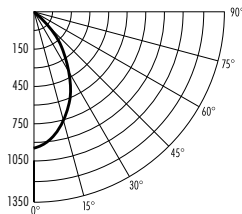
Degrees	Average Luminance
45	5726
55	0
65	0
75	0
85	0

PHOTOMETRIC REPORT

Test Report #: PT02141411
Catalog No: IC20LED G4 06LM 30K
with 204HYP2 CWH Trim
and standard nano mixing
chamber

Luminaire Spacing Criterion: 0.80

Luminaire LPW: 84



CANDLEPOWER DISTRIBUTION (Candelas)

Degrees	0°
Vertical	0°
0	964
5	937
15	765
25	512
35	245
45	43
55	0
65	0
75	0
85	0
90	0

Multiplier: 27K - 0.89
30K - 0.94
40K - 1.03

AVERAGE INITIAL FOOTCANDLES

Multiple Units (Square Array, 60'x60' room)
Ceiling 80% Wall 50% Floor 20%

Spacing	RCR1	RCR3	RCR5
4.0'	50	44	38
5.0'	32	28	25
6.0'	22	19	17
7.0'	18	16	14
8.0'	14	12	11
9.0'	11	10	8
10.0'	8	7	6

ZONAL LUMEN SUMMARY

Zone	Lumens	%Lamp	%Fixture
0-30°	534	N/A	73.9
0-40°	686	N/A	94.9
0-60°	723	N/A	100.0
0-90°	723	N/A	100.0

INITIAL FOOTCANDLES (One Unit, 8.6W , 52.8° Beam)

Distance to Illuminated Plane (Feet)	Footcandles Beam Center	Beam Diameter
4	60.3	4.0'
6	26.8	6.0'
8	15.1	7.9'
10	9.6	9.9'

LUMINANCE (Average cd/m²)

Degrees	Average Luminance
45	5726
55	0
65	0
75	0
85	0

Fixtures tested to IES recommended standard for solid state lighting per LM-79-08. Photometric performance on a single unit represents a baseline of performance for the fixture. Results may vary in the field.