

JUNO

Project: _____

Fixture Type: _____

Location: _____

Contact/Phone: _____

4" IC 700 LUMEN INTERNALLY ADJUSTABLE LED DOWNLIGHT NEW CONSTRUCTION

IC4AL (07LM) RECESSED HOUSING


DOWNLIGHT TRIMS


PRODUCT DESCRIPTION

Patent pending dedicated LED, Air-Loc® sealed new construction housing with integral internally adjustable light engine • Double wall, shallow housing construction • Can be completely covered with insulation and installs in 2 x 6 construction • Fully sealed housing stops infiltration and exfiltration of air, reducing heating and cooling costs without the use of additional gaskets • LED housing is designed to provide 50,000 hours of life • 5 year limited warranty on LED components.

ENVIRONMENTALLY FRIENDLY, ENERGY EFFICIENT

- No harmful ultraviolet or infrared wavelengths
- No lead or mercury, RoHS compliant
- Comparable light output to 65W incandescent

PRODUCT SPECIFICATIONS

LED Light Engine LED array attached to cast aluminum sliding heatsink integrated directly with housing provides superior heat transfer to ensure long life of the LED • Replaceable light engine mounts directly to inner housing assembly and incorporates the latest generation, high lumen output LED array • LEDs are binned within a 3-step MacAdam Ellipse exceeding ENERGY STAR® requirements for superior fixture to fixture color uniformity • 2700K, 3000K, 3500K, or 4000K color temperatures available • 90 CRI minimum.

Optics Three field interchangeable, TIR optics available in 18°, 30° and 40° beam angles • Module can accommodate one 2-inch diameter beam control lens or filter.

Aesthetic Trim Selections Aluminum downlight reflector in clear, black, pewter, white, haze and wheat haze • Shadow free, knife edge design blends seamlessly into ceiling.

LED Driver Choice of dedicated 120 volt (120) driver or universal voltage (MVOLT) driver that accommodates input voltages from 120-277 volts AC at 50/60Hz • Power factor > 0.9 at 120V input • 120 volt only driver is dimmable with the use of most incandescent, magnetic low voltage and electronic low voltage wall box dimmers • Universal voltage driver is dimmable with the use of most 0-10V wall box dimmers • For a list of compatible dimmers, see [JUNOICLED-DIM](#).

Life Rated for 50,000 hours at 70% lumen maintenance.

Labels ENERGY STAR® Certified • Certified to the high efficacy requirements of California T24 JA8-2016 • UL listed for U.S. and Canada for through-branch wiring, damp locations • Union made • UL and cUL.

Testing All reports are based on published industry procedures; field performance may differ from laboratory performance.

Specifications subject to change without notice.

HOUSING FEATURES

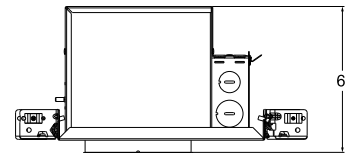
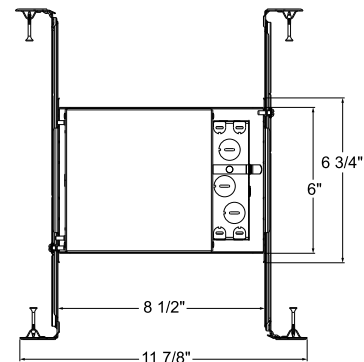
Housing Designed for use in IC (insulated ceiling) or non-IC construction • Aluminum housing sealed for Air-Loc® compliance • Housing is vertically adjustable to accommodate up to a 1 1/2" ceiling thickness.

Junction Box Pre-wired junction box provided with (6) 1/2" and (1) 3/4" knockouts, (4) knockouts for 12/2 or 14/2 NM cable and ground wire • UL listed and cUL listed for through-branch wiring, maximum 4 #12 branch circuit conductors • Junction box provided with removable access plates • Knockouts equipped with pryout slots • Quick connect electrical connectors supplied as standard for fast, secure installation.

Mounting Frame 22-gauge die-formed galvanized steel mounting frame • Rough-in section (junction box, mounting frame, housing and bar hangers) fully assembled for ease of installation.

Real Nail 3 Bar Hangers Patented (US Patent D552,969) Real Nail® 3 bar hangers: telescoping system permits quick placement of housing anywhere within 24" O.C. joists or suspended ceilings • Includes removable nail for repositioning of fixture in wood joist construction • Integral T-bar notch and clip for suspended ceilings.

DIMENSIONS



4 1/2" CEILING CUTOUT

ELECTRICAL DATA

Dedicated 120V Only Driver Option (120) 120V

Input Power	10.5W (+/-5%)	
Input Current	0.10A	
Frequency	50/60Hz	
EMI/RFI	FCC Title 47 CFR, Part 15, Class B (Residential)	
Minimum starting temp	-25°C (-13°F)	

Universal Voltage Driver (MVOLT ZT)

	120V	277V
Input Power	10.0W (+/-5%)	10.0W (+/-5%)
Input Current	0.09A	0.04A
Frequency	50/60Hz	50/60Hz
EMI/RFI	FCC Title 47 CFR, Part 15, Class A (Commercial)	FCC Title 47 CFR, Part 15, Class A (Commercial)
Minimum starting temp	-20°C (-4°F)	-20°C (-4°F)

Lutron Hi-Lume® LED Driver (MVOLT ECOS3)

	120V	277V
Input Power	11.1W (+/-5%)	11.3W (+/-5%)
Input Current	0.10A	0.05A
Frequency	50/60Hz	50/60Hz
EMI/RFI	FCC Title 47 CFR, Part 15, Class A (Commercial)	FCC Title 47 CFR, Part 15, Class A (Commercial)
Minimum starting temp	0°C (32°F)	0°C (32°F)

4" IC 700 LUMEN INTERNALLY ADJUSTABLE LED DOWNLIGHT NEW CONSTRUCTION

IC4AL (07M) RECESSED HOUSING DOWNLIGHT TRIMS

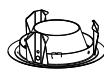
ORDERING INFORMATION Housing and trim can be ordered together or separate, but will always ship separately.

Example: IC4AL 07LM 27K 90CRI FL 120 FRPC

Series	Lumens	Color Temperature	CRI	Distribution	Voltage	Driver
IC4AL 4" LED Internally Adjustable New Const. IC Downlight	07LM 700 Nominal Lumens	27K 2700K 30K 3000K 35K 3500K 40K 4000K	90CRI 90+ CRI	FL Flood NFL Narrow Flood SP Spot	120 120V MVOLT Multi-Volt (120-277V)	ECOS3 Lumen Hi - Lume A Series, 3-wire fluorescent controls & Lutron Ecosystem FRPC Forward/ Reverse Phase Cut ZT 0 - 10V Dimming Driver

Notes: 120 must be ordered with FRPC. MVOLT can be ordered with either ZT or ECOS3

Trim/Description



42L BWH	4" Downlight Cone Trim - Black Alzak® Cone, White Trim Ring
42L CWH	4" Downlight Cone Trim - Clear Alzak® Cone, White Trim Ring
42L HZWH	4" Downlight Cone Trim - Haze Cone, White Trim Ring
42L PTSC	4" Downlight Cone Trim - Pewter Alzak® Cone, Satin Chrome Trim Ring
42L WHZABZ	4" Downlight Cone Trim - Wheat Haze Cone, Classic Aged Bronze Trim Ring
42L WHZWH	4" Downlight Cone Trim - Wheat Haze Cone, White Trim Ring
42L WWH	4" Downlight Cone Trim - Glass White Cone, White Trim Ring

Trim Size: 5" O.D.

Alzak is a registered trademark of Alcoa Corp.

Note: In Canada when insulation is present, Type IC fixtures must be used.

Accessories (ordered separately)

Catalog Number	Description
CGF 200 MPINK	Color Glass Filter - 2" Diameter - Medium Pink
CGF 200 WRED	Color Glass Filter - 2" Diameter - Warm Red
CGF 200 DLTBLUE	Color Glass Filter - 2" Diameter - Daylight Blue
CGF 200 MBLU	Color Glass Filter - 2" Diameter - Medium Blue
CGF 200 MAMB	Color Glass Filter - 2" Diameter - Medium Amber
CGF 200 MGRN	Color Glass Filter - 2" Diameter - Medium Green
DGF 200 DRED	Dichroic Glass Filter - 2" Diameter Red
DGF 200 MGRN	Dichroic Glass Filter - 2" Diameter Medium Green
DGF 200 MBLU	Dichroic Glass Filter - 2" Diameter Medium Blue
DGF 200 DYEL	Dichroic Glass Filter - 2" Diameter Yellow (Dichroic)
DGF 200 MAGEN	Dichroic Glass Filter - 2" Diameter Magenta
DGF 200 CYAN	Dichroic Glass Filter - 2" Diameter Cyan
DCCF 200 HL4250	Dichroic Color Correction Filter - 2" Diameter - Halogen - to - Daylight
DIFF 200	Diffusion Glass Lens - 2" Diameter
UVF 200	UV Filter Lens - 2" Diameter
HCLBL 200	Hexagonal Cell Louver - Black - 2" Diameter
LSPREAD 200	Linear Spread Glass Lens - 2" Diameter
PRISM 200	Prismatic Glass Lens - 2" Diameter
TIR2 SPT	TIR Optic - Spot
TIR2 NFLD	TIR Optic - Narrow Flood
TIR2 FLD	TIR Optic - Flood

4" IC 700 LUMEN INTERNALLY ADJUSTABLE LED DOWNLIGHT NEW CONSTRUCTION

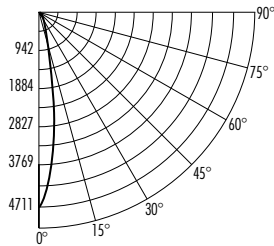
IC4AL (07M) RECESSED HOUSING

DOWNLIGHT TRIMS

PHOTOMETRICS

PHOTOMETRIC REPORT

Test Report#: PT09152801R
Catalog No: IC4AL 07LM 35K 90CRI SP 120
FRPC with 42L HZWH, Downlight Cone Haze
Finish Trim and Spot Optic
Luminaire Spacing Criteria: 0.30
Luminaire LPW: 74



CANDLEPOWER DISTRIBUTION (Candelas)

Degrees Vertical	0°
0	4711
5	3582
15	935
25	312
35	78
45	10
55	0
65	0
75	0
85	0
90	0

Multipliers:
27K - 0.93 35K - 1.00
30K - 0.96 40K - 1.03

AVERAGE INITIAL FOOTCANDLES Multiple Units (Square Array, 60'x60' room)

Ceiling 80%, Wall 50%, Floor 20%

Spacing	RCR1	RCR3	RCR5
4.0'	55	50	46
5.0'	35	32	29
6.0'	24	22	20
7.0'	20	18	16
8.0'	16	14	13
9.0'	12	11	10
10.0'	9	8	7

ZONAL LUMEN SUMMARY

Zone	Lumens	%Lamp	%Fixture
0-30°	709	N/A	91.3
0-40°	765	N/A	98.5
0-60°	776	N/A	100.0
0-90°	776	N/A	100.0

INITIAL FOOTCANDLES

(One Unit, 10.5W, 16.9° Beam)

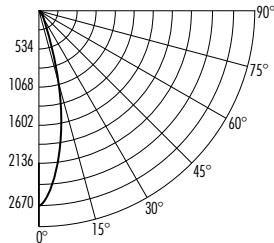
Distance to Illuminated Plane (Feet)	Footcandles Beam Center	Beam Diameter
4	294.4	1.2
6	130.9	1.8
8	73.6	2.4
10	47.1	3.0

LUMINANCE (Average cd/m²)

Degrees	Average 0° Luminance
45	2752
55	78
65	0
75	0
85	0

PHOTOMETRIC REPORT

Test Report#: PT09152803R
Catalog No: IC4AL 07LM 35K 90CRI NFL 120
FRPC with 42L HZWH, Downlight Cone Haze
Finish Trim and Narrow Flood Optic
Luminaire Spacing Criteria: 0.46
Luminaire LPW: 72



CANDLEPOWER DISTRIBUTION (Candelas)

Degrees Vertical	0°
0	2670
5	2462
15	1110
25	314
35	85
45	18
55	1
65	0
75	0
85	0
90	0

Multipliers:
27K - 0.93 35K - 1.00
30K - 0.96 40K - 1.03

AVERAGE INITIAL FOOTCANDLES Multiple Units (Square Array, 60'x60' room)

Ceiling 80%, Wall 50%, Floor 20%

Spacing	RCR1	RCR3	RCR5
4.0'	53	48	44
5.0'	34	30	28
6.0'	23	21	19
7.0'	19	17	16
8.0'	15	14	12
9.0'	11	10	10
10.0'	8	8	7

ZONAL LUMEN SUMMARY

Zone	Lumens	%Lamp	%Fixture
0-30°	675	N/A	89.5
0-40°	737	N/A	97.7
0-60°	754	N/A	100.0
0-90°	754	N/A	100.0

INITIAL FOOTCANDLES

(One Unit, 10.5W, 27.0° Beam)

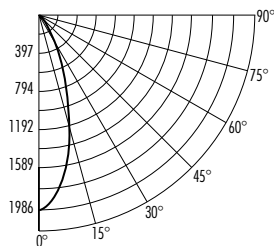
Distance to Illuminated Plane (Feet)	Footcandles Beam Center	Beam Diameter
4	166.9	1.9
6	74.2	2.9
8	41.7	3.8
10	26.7	4.8

LUMINANCE (Average cd/m²)

Degrees	Average 0° Luminance
45	4895
55	181
65	0
75	0
85	0

PHOTOMETRIC REPORT

Test Report#: PT09152805R
Catalog No: IC4AL 07LM 35K 90CRI FL 120
FRPC with 42L HZWH, Downlight Cone Haze
Finish Trim and Flood Optic
Luminaire Spacing Criteria: 0.58
Luminaire LPW: 79



CANDLEPOWER DISTRIBUTION (Candelas)

Degrees Vertical	0°
0	1986
5	1894
15	1206
25	489
35	116
45	22
55	0
65	0
75	0
85	0
90	0

Multipliers:
27K - 0.93 35K - 1.00
30K - 0.96 40K - 1.03

AVERAGE INITIAL FOOTCANDLES Multiple Units (Square Array, 60'x60' room)

Ceiling 80%, Wall 50%, Floor 20%

Spacing	RCR1	RCR3	RCR5
4.0'	58	52	47
5.0'	37	33	30
6.0'	26	23	21
7.0'	21	19	17
8.0'	17	15	13
9.0'	13	11	10
10.0'	9	8	7

ZONAL LUMEN SUMMARY

Zone	Lumens	%Lamp	%Fixture
0-30°	727	N/A	87.5
0-40°	810	N/A	97.4
0-60°	831	N/A	100.0
0-90°	831	N/A	100.0

INITIAL FOOTCANDLES

(One Unit, 10.5W, 35.0° Beam)

Distance to Illuminated Plane (Feet)	Footcandles Beam Center	Beam Diameter
4	124.1	2.5
6	55.2	3.8
8	31.0	5.0
10	19.9	6.3

LUMINANCE (Average cd/m²)

Degrees	Average 0° Luminance
45	5967
55	26
65	0
75	0
85	0

Fixtures tested to IES recommended standard for solid state lighting per LM-79-08. Photometric performance on a single unit represents a baseline of performance for the fixture. Results may vary in the field.