



2x2 LED LOW-PROFILE RECESSED LUMINAIRE WITH BASKET DIFFUSER S2X2BL SERIES



Type: _____

Catalog No.: _____

Project: _____

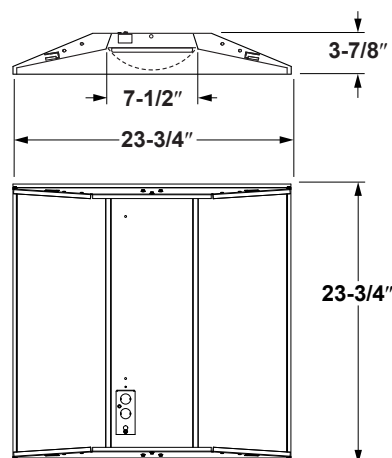
Notes: _____

ENVIRONMENTALLY FRIENDLY, ENERGY EFFICIENT

- The Indy 2x2 Architectural Basket Series delivers up to 3900 lumens and efficacies as high as 122 lumens per watt
- Direct/Indirect distribution of soft light creates superior brightness control and balanced light
- 3 Shielding options; textured opal, round pattern or square pattern high performance acrylic
- Available in wide range of color temperatures with 0-10V dimming
- No harmful ultraviolet or infrared wavelengths
- Contains no lead or mercury



DIMENSIONS



PRODUCT SPECIFICATIONS

Basket Style Optics

Shielding: Specially formulated high transmission optic features a textured opal, patterned round or patterned square surface on one side specifically designed for lighting lenses • Unique combination of high light diffusion and high light transmission through a combination of optimized surface texture and advanced diffuser technology enhance fixture aesthetics while maximizing performance • Easily removable for access to LED boards and driver.

Reflector

High reflectance white paint provides soft, uniformed indirect light distribution.

Electrical

LED Light Engine: High-performance LEDs deliver consistent high-quality white light and uniform illumination without pixilation • Consistent fixture-to-fixture color temperature within 3 MacAdam ellipses • Light engine/reflector system produces 2600 to 3900 lumens at 80 CRI, and 2100 to 3200 lumens at 90 CRI while using only 28-36 watts of energy • 3000K, 3500K, 4000K and 5000K color temperatures • 80 and 90 CRI options available • Easily replaceable array boards allow for easy maintenance or updating technology.

LED Driver: Accommodates 120- 277V and 347V input volts AC at 50/60Hz • Power factor >0.9 • Dimming standard to 10% with 0-10V DC control protocol • Easy access to driver for maintenance and new technology • Dimmable to 33% and 66% with optional step dimming • Easy access to driver from below ceiling • For list of compatible dimmers see [LED-DIM](#).

Life: Rated for 50,000 hours at 70% lumen maintenance, 8-12 years commercial use expectancy.

Housing

Enclosed LED chamber with removable lens • Cold rolled steel or electro galvanized substrate • Highly reflective white finish on phosphate-free, multi-staged pretreated metal • Built-in earth quake clips • Air handling has slots along the sides.

Mounting

Lightweight and easy to install in any standard T-Bar or screw slot grids • Drywall frame available for plaster/drywall ceilings, see accessories. • Ideal for new construction and remodel applications • Recommended to use LFC clips on all 9/16" grids.

Packaging

For large jobs, order with Bulk Pack option to reduce labor and packaging waste • 2x2 units are packed 22 per pallet.

Listings

- Tested and certified to UL and CSA standards using ETL laboratories.
- CSA certified. Damp listed.
- DesignLights Consortium® (DLC) qualified product. Not all versions of this product may be DLC qualified. Please check the DLC Qualified Products List at www.designlights.org/QPL to confirm which versions are qualified.
- Union made • Assembled in the U.S.A.
- Type IC rated.

Warranty 5-year limited warranty. Complete warranty terms located at: www.acuitybrands.com/CustomResources/Terms_and_conditions.aspx.

Specifications subject to change without notice.

ENGINEERING DATA

Voltage	120V-277V	
Light Engine Lumens	2600/2100/1700	2900/3200/3100/2600
CCT	30K/35K/40K/50K	30K/35K/40K/50K
Input Wattage	28W	36W
Input Frequency	50/60Hz	50/60Hz
Power Factor	0.9	0.9

Consult factory for 347V



2x2 LED LOW-PROFILE RECESSED LUMINAIRE WITH BASKET DIFFUSER S2X2BL SERIES

ORDERING INFORMATION: Accessories ordered separately

Example: **S2X2BL-3930U-WH3, S2X2BL-3230U-WH3-90**

Cat. #	Shielding	Lumens	Color Temp.	Voltage	Finish	Generation	Options	Accessories
S2X2					WH	3		
S2X2 2' x 2' Solid State, Low Profile LED	BL Textured Opal	80 CRI ONLY 26 2600 Lumens 39 3900 Lumens 90 CRI ONLY *21 2100 Lumens *32 3200 Lumens	30 3000K 35 3500K 40 4100K 50 5000K	U 120-277V 3 347V	WH White	3 Gen3	CP Chicago Plenum BR Emergency Battery pack w/ Remote Test Switch, non-CEC compliant LDI Lumen Depreciation Indicator (Cannot be used w/ BR Option or 347V) G Gasket (Contamination Deterrent gasket) AM Anti-Microbial Paint (Provides mildew and odor resistance to product) AH Air Handling BP Bulk Pack S Step Dimming 33/66/100% (Not Available for 347V) 90 90 CRI	DGA22 2' X 2' Drywall Frame Adapter 2X2EC Additional Earth Quake Clips, Set of 2 LFC Fixture Clips for Armstrong 9/16" T 2X2SMK 2' X 2' Surface Mount Troffer Kit
	BLPR Pattern-Round	80 CRI ONLY 21 2100 Lumens 31 3100 Lumens						
	BLPS Pattern-Square	90 CRI ONLY *17 1700 Lumens *26 2600 Lumens						

*Must add -90 suffix to catalog number for 90 CRI option

PHOTOMETRICS

PHOTOMETRIC REPORT

Catalog Number: **S2X2BL-2635U-WH**

Test Number: PT08142101P

Total Lumen Output: 2678 Lumens

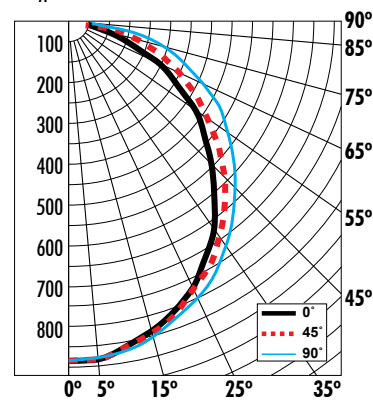
Luminaire Efficacy: 96 lm/w

Luminaire Spacing Criteria: END = 1.24

ACROSS = 1.30

Luminaire: 2' X 2' Troffer with Opal Basket Diffuser.

CIE-Type: Direct



Luminance Data (Candela/M)

Angle in Degrees	Avg. 0°	Avg. 45°	Avg. 90°
45°	2285	2423	2598
55°	2158	2388	2682
65°	1997	2417	2865
75°	1791	2579	3326
85°	1465	3066	3710

Zonal Lumen Summary

Zone	Lumens	%fixture
0-30°	686	25.60
0-40°	1123	41.90
0-60°	2001	74.70
0-90°	2678	100.0
90-180°	0	0.0
0-180°	2678	100.0

Candlepower Distribution (Candelas)

Angle	Candela			Lumens
	0.0	45.0	90.0	
0°	884	884	884	
5°	882	879	881	84
15°	844	846	855	239
25°	773	785	804	363
35°	674	696	727	437
45°	554	587	630	455
55°	424	470	527	423
65°	289	350	415	347
75°	159	229	295	239
85°	44	92	111	90

AVERAGE INITIAL FOOTCANDLES

Reflectances: 80% Ceiling, 50% Walls, 30% Floors

Luminaire Spacing	Room Cavity Ratio		
	RCR1	RCR4	RCR8
5' x 5'	109	73	48
6' x 6'	76	51	33
7' x 7'	56	37	25
8' x 8'	43	28	19
9' x 9'	34	22	15
10' x 10'	27	18	12
11' x 11'	23	15	10
12' x 12'	19	13	8

COEFFICIENTS OF UTILIZATION - % (Zonal Cavity Method)

Effective Floor Reflectance 20%

PCC	80		70		50		30		10		0	
	70	50	30	10	70	50	30	10	50	30	10	0
0	119	119	119	119	116	116	116	116	111	111	111	106
1	108	102	98	94	105	100	96	92	96	92	89	86
2	97	89	81	75	95	87	80	74	83	77	73	80
3	89	77	69	62	86	76	68	61	73	66	60	70
4	81	68	59	52	79	67	58	52	64	57	51	62
5	74	61	52	45	72	60	51	44	58	50	44	56
6	69	55	46	39	67	54	45	39	52	44	38	50
7	64	50	41	34	62	49	40	34	47	40	34	46
8	59	45	37	31	58	45	36	30	43	36	30	42
9	55	42	33	27	54	41	33	27	40	32	27	39
10	52	38	30	25	50	38	30	25	37	30	25	36

Fixtures tested to IES recommended standard for solid state lighting per LM-79-08. Photometric performance on a single unit represents a baseline of performance for the fixture. Results may vary in the field.

SHIELDING MULTIPLIER:
S2X4BLPR X 0.80
S2X4BLPS X 0.80
CCT MULTIPLIER:
30K X 0.977
40K X 1.021
50K X 1.075



2x2 LED LOW-PROFILE RECESSED LUMINAIRE WITH BASKET DIFFUSER

S2X2BL SERIES

PHOTOMETRICS

PHOTOMETRIC REPORT

Catalog Number: S2X2BL-3935U-WH

Test Number: PT08142101P

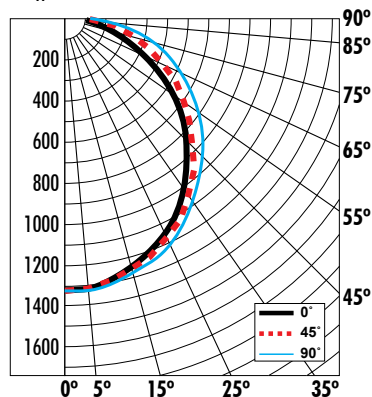
Total Lumen Output: 4015 Lumens

Luminaire Efficacy: 113 lm/w

Luminaire Spacing Criteria: END = 1.24
ACROSS = 1.30

Luminaire: 2' X 2' Troffer with Opal Basket Diffuser.

CIE-Type: Direct



Luminance Data (Candela/M)

Angle in Degrees	Avg. 0°	Avg. 45°	Avg. 90°
45°	3426	3633	3895
55°	3235	3580	4021
65°	2993	3624	4296
75°	2686	3866	4986
85°	2197	4596	5563

Zonal Lumen Summary

Zone	Lumens	%fixture
0-30°	1028	25.60
0-40°	1683	41.90
0-60°	3000	74.70
0-90°	4015	100.0
90-180°	0	0.0
0-180°	4015	100.0

Candlepower Distribution (Candelas)

Angle	Candela			Lumens
	0.0	45.0	90.0	
0°	1325	1325	1325	
5°	1322	1318	1321	125
15°	1265	1269	1282	359
25°	1159	1177	1205	544
35°	1011	1044	1090	655
45°	830	881	944	683
55°	636	704	791	634
65°	434	525	622	521
75°	238	343	442	359
85°	66	137	166	135

AVERAGE INITIAL FOOTCANDLES

Reflectances: 80% Ceiling, 50% Walls, 30% Floors

Luminaire Spacing	Room Cavity Ratio		
	RCR1	RCR4	RCR8
5' x 5'	164	109	72
6' x 6'	114	76	50
7' x 7'	84	56	37
8' x 8'	64	43	28
9' x 9'	51	34	22
10' x 10'	41	27	18
11' x 11'	34	23	15
12' x 12'	28	19	13

COEFFICIENTS OF UTILIZATION - % (Zonal Cavity Method)

Effective Floor Reflectance 20%

PCC	80										70										50										30										10										0									
	PW	70	50	30	10	70	50	30	10	50	30	10	50	30	10	50	30	10	50	30	10	50	30	10	50	30	10	50	30	10	50	30	10																											
0	119	119	119	119	119	116	116	116	116	116	111	111	111	111	111	106	106	106	106	106	102	102	102	102	102	100	100	100	100	100	100	100	100	100	100																									
1	108	102	98	94	94	105	100	96	92	92	96	92	89	86	86	92	89	86	86	86	88	86	84	82	82	87	86	84	82	82	87	86	84	82	82																									
2	97	89	81	75	75	95	87	80	74	74	83	77	73	70	71	80	75	71	71	71	77	73	69	67	67	77	73	69	67	67	77	73	69	67	67																									
3	89	77	69	62	62	86	76	68	61	61	73	66	60	56	57	70	64	59	56	56	67	62	58	56	56	67	62	58	56	56	67	62	58	56	56																									
4	81	68	59	52	52	79	67	58	52	52	64	57	51	48	49	62	56	50	48	48	60	54	50	47	47	60	54	50	47	47	60	54	50	47	47																									
5	74	61	52	45	45	72	60	51	44	44	58	50	44	41	42	56	49	43	41	41	54	48	43	41	41	54	48	43	41	41	54	48	43	41	41																									
6	69	55	46	39	39	67	54	45	39	39	52	44	38	35	36	50	43	38	36	36	49	43	38	36	36	49	43	38	36	36	49	43	38	36	36																									
7	64	50	41	34	34	62	49	40	34	34	47	40	34	31	32	46	39	34	32	32	44	38	33	31	31	44	38	33	31	31	44	38	33	31	31																									
8	59	45	37	31	31	58	45	36	30	30	43	36	30	27	28	42	35	30	28	28	41	35	30	28	28	41	35	30	28	28	41	35	30	28	28																									
9	55	42	33	27	27	54	41	33	27	27	40	32	27	24	25	39	32	27	25	25	38	31	27	25	25	38	31	27	25	25	38	31	27	25	25																									
10	52	38	30	25	25	50	38	30	25	25	37	30	25	22	23	36	29	25	23	23	35	29	24	23	23	35	29	24	23	23	35	29	24	23	23																									

PHOTOMETRIC REPORT

Catalog Number: S2X2BL-2135U-WH-90

Test Number: PT08150604P

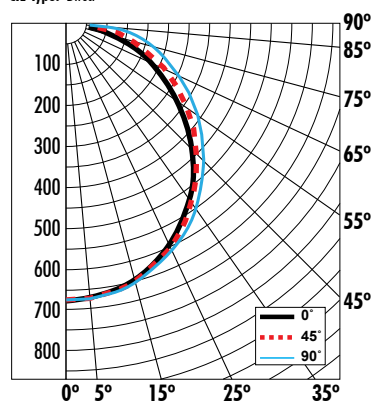
Total Lumen Output: 2039 Lumens

Luminaire Efficacy: 73 lm/w

Luminaire Spacing Criteria: END = 1.24
ACROSS = 1.28

Luminaire: 2' X 2' Troffer with Opal Basket Diffuser.

CIE-Type: Direct



Luminance Data (Candela/M)

Angle in Degrees	Avg. 0°	Avg. 45°	Avg. 90°
45°	1793	1860	1953
55°	1704	1818	1982
65°	1592	1810	2108
75°	1414	1925	2511
85°	1098	2128	2585

Zonal Lumen Summary

Zone	Lumens	%fixture
0-30°	861	25.8
0-40°	851	42.2
0-60°	1532	75.1
0-90°	2039	100.0
90-180°	0	0.0
0-180°	2039	100.0

Candlepower Distribution (Candelas)

Angle	Candela			Lumens
	0.0	45.0	90.0	
0°	677	677	677	
5°	677	674	675	64
15°	650	650	655	184
25°	597	603	612	278
35°	524	535	550	335
45°	435	451	473	349
55°	335	357	390	322
65°	231	262	305	262
75°	125	171	223	181
85°	33	64	77	64

AVERAGE INITIAL FOOTCANDLES

Reflectances: 80% Ceiling, 50% Walls, 30% Floors

Luminaire Spacing	Room Cavity Ratio		
	RCR1	RCR4	RCR8
5' x 5'	84	56	37
6' x 6'	58	39	25
7' x 7'	43	29	19
8' x 8'	33	22	14
9' x 9'	26	17	11
10' x 10'	21	14	9
11' x 11'	17	12	8
12' x 12'	15	10	6

COEFFICIENTS OF UTILIZATION - % (Zonal Cavity Method)

Effective Floor Reflectance 20%

PCC	80										70										50										30										10										0									
	PW	70	50	30	10	70	50	30	10	50	30	10	50	30	10	50	30	10	50	30	10	50	30	10	50	30	10	50	30	10	50	30	10																											
0	119	119	119	119	119	116	116	116	116	116	111	111	111	111	111	106	106	106	106	106	102	102	102	102	102	100	100	100	100	100	100	100	100	100	100																									
1	108	103	98	94	94	105	100	96	92	92	96	93	89	86	86	92	89	87	87	87	88	86	84	82	82	87	86	84	82	82	87	86	84	82	82																									
2	98	89	82	75	75	95	87	80	75	75	83	78	73	70	71	80	75	71	71	71	77	73	70	67	67	77	73	70	67	67	77	73	70	67	67																									
3	89	78	69	62	62	86	76	68	62	62	73	66	61	56	57	70	64	59	56	56	68	63	58	56	56	67	62	58	56	56	67	62	58	56	56																									
4	81	69	59	52	52	79	67	58	52	52	65	57	51	48	49	62	56	51	48	48	60	55	50	47	47	60	55	50	47	47	60	55	50	47	47																									
5	74	61	52	45	45	72	60	51	44	44	58	50	44	41	42	56	49	43	41	41	54	48	43	41	41	54	48	43	41	41	54	48	43	41	41																									
6	69	55	46	39	39	67	54	45	39	39	52	44	39	35	36	50	43	38	36	36	49	43	38	36	36	49	43	38	36	36	49	43	38	36	36																									
7	64	50	41	35	35	62	49	40	34	34	47	40	34	31	32	46	39	34	32	32	44	38	33	31	31	44	38	33	31	31	44	38	33	31	31																									
8	59	45	37	31	31	58	45	36	30	30	43	36	30	27	28	42	35	30	28	28	41	35	30	28	28	41	35	30	28	28	41	35	30	28	28																									
9	55	42	33	27	27	54	41	33	27	27	40	33	27	24	25	39	32	27	25	25	38	32	27	25	25	38	32	27	25	25	38	32	27	25	25																									
10	52	38	30	25	25	51	38	30	25	25	37	30	25	22	23	36	29	25	23	23	35	29	24	23	23	35	29	24	23	23	35	29	24	23	23																									

Fixtures tested to IES recommended standard for solid state lighting per LM-79-08. Photometric performance on a single unit represents a baseline of performance for the fixture. Results may vary in the field.

SHIELDING MULTIPLIER:
S2X4BLPR X 0.80
S2X4BLPS X 0.80
CCT MULTIPLIER:
30K X 0.977

