

ENVIRONMENTALLY FRIENDLY, ENERGY EFFICIENT

- Lumen packages suitable for ceiling heights ranging from 8' to over 50'
- Efficacies up to 123 lm/w
- Superior-quality white LED light output using Chip on Board technology
- No harmful ultraviolet or infrared wavelengths • No lead or mercury

PRODUCT SPECIFICATIONS

Enabled with Atrius™: These products are enabled with Atrius, making them part of the Atrius Sensory Network and ready to deliver valuable data and connectivity to the Atrius Platform. For more information concerning Atrius solutions, please refer to www.acuitybrands.com/Atrius.

OPTICS

Hyperbolic Reflector: Unique hyperbolic shape optimized for small, directional LED source, maximizes fixture efficiency while reducing lamp image and aperture brightness

- Geometry of hyperbolic curve provides unique aperture appearance and smoother light distribution

Parabolic Cone/Lens: Computer-optimized parabolic cone with frosted convex lens regressed into cone provides uniform distribution with no striations

Baffle: White or black painted deep multi-groove aluminum baffle insert with integral white painted flange and frosted convex glass lens

Wallwash Cone/Lens: Computer-optimized trim with integral wall wash kicker and frosted convex lens regressed into cone provides uniform distribution with no striations

ELECTRICAL

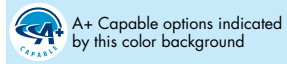
LED Light Engine: Compact light source delivers uniform illumination without pixilation, enabling excellent beam control • 2SDCM (5000K within 3SDCM) • 80, 90 & 97 CRI

- Light engine mounts directly to heat sink and is easily replaceable

Passive Cooling: Cast aluminum heat sink integrated directly with housing provides superior thermal management to ensure the long life of LED

LED Driver: Power factor >0.9

Dimming: Dimmable via 0-10V protocol standard • Optional drivers available for use with eldoLED, Lutron EcoSystem, 2-wire dimmers, DMX, or DALI • For a list of compatible dimmers, see [LED-DIM](#).



SURFACE MOUNT



PENDANT MOUNT



WALL MOUNT



CABLE MOUNT

ORDERING INFORMATION Complete Catalog# Example Includes (Rough-In, option, reflector, accessory) Ordering Example: LC8P 08LM 27K MVOLT B G4 80CRI ZT LDI HW CS PF

ROUGH-IN

Series	Mounting Options	Lumen Package	Color Temperature	Voltage	Cylinder Color	Generation	CRI	Driver	Rough-In Options
LC8 8" L-Series Cylinder	Surface	08LM 800 Lumens	27K 2700K	120 120 Volt	B Black	G4 Gen 4	80CRI 80+ CRI	DALI DALI Control Dimming DMXR⁶ DMX/RDM Driver EDAB^{3,7} eldoLED SOLOdrive DALI. Logarithmic dimming to <1% EDXB^{2,3,6,10} eldoLED POWERdrive DMX/RDM w/ Phoenix Connectors. Logarithmic dimming to <1% EZ10^{3,7} eldoLED 0-10V ECOdrive. Linear dimming to 10% min. EZ1^{3,7} eldoLED 0-10V ECOdrive. Linear dimming to 1% min. EZB^{3,7} eldoLED 0-10V SOLOdrive. Logarithmic dimming to <1% FD^{4,9} Forward or Reverse Phase Dimming Driver FDL^{4,16} Forward Phase Dimming Lutron Driver PD^{8,16} Lutron Ecosystem Dimming Driver ZT 0-10V Dimming	F^{2,5} Fuse and Fuse Holder LDI Lumen Depreciation Indicator BR^{2,12} Emergency Battery Pack w/Remote Test Switch HBR^{2,6} High Lumen Emergency Battery Pack w/Remote Test Switch NL¹¹ nLight® Dimming Pack Controls NLER¹¹ nLight® dimming pack controls. nLER controls fixtures on emergency circuit AE1BN¹⁷ Atrius™ enabled, Bluetooth® beacons, network and in fixture power supply
		13LM 1300 Lumens	30K 3000K	277 277 Volt	W White		90CRI 90+ CRI		
	Pendant	15LM 1500 Lumens	35K 3500K	347 ⁷ 347 Volt	S Silver	97CRI ¹ 97+ CRI			
		17LM 1700 Lumens	40K 4000K	MVOLT Multi-Volt (120-277)					
	Wall	23LM 2300 Lumens	50K 5000K						
		28LM 2800 Lumens							
	Cable	33LM 3300 Lumens							
		40LM 4000 Lumens							
		45LM 4500 Lumens							
		50LM 5000 Lumens							
	55LM 5500 Lumens								

REFLECTOR To order reflector separately, use "L8" prefix before reflector option values. Ex: L8 HW CS PF

Trim Style	Finish	Trim Options
BAF¹³ Baffle	P Parabolic	BD Black Diffuse
HM Hyperbolic Medium	WC Corner Wall Wash	BL Black (Baffle)
HN Hyperbolic Narrow	WD Double Wall Wash	BS Black Specular
HW Hyperbolic Wide	WS Single Wall Wash	WD White
HWS Hyperbolic Single Wall Wash		BZD Bronze Diffuse
		BZS Bronze Specular
		CD Clear Diffuse
		CS Clear Specular
		CSS Clear Semi-Specular
		GD Gold Diffuse
		GS Gold Specular
		PTD Pewter Diffuse
		PTS Pewter Specular
		WH White
		WTD Wheat Diffuse
		WTS Wheat Specular
		PF¹⁵ White Flange



J7.2.2G4



800 TO 5500 LUMEN
 8" LED CYLINDER
 HYPERBOLIC / PARABOLIC / WALLWASH / OPEN APERTURE
 LC8 SERIES

Type	Cat. No.
_____	_____
Project:	_____
Notes:	_____

Life: Rated for 60,000 hours at 70% lumen maintenance
 • Available with optional Lumen Depreciation Indicator (LDI)
Emergency Battery Pack (Optional) output: Provides a minimum of 600 (BR), or 1000 (HBR) lumens for a minimum duration of 90 minutes • BR option is CEC Title 20 compliant
Warranty: 5 years when used in accordance with manufacturing guidelines.
 Specifications subject to change without notice.

Mounting Type	Length	Color	Options
PSTEM Pendant Stem	18IN 18"	WPEN White	PBR Battery Pack
	24IN 24"	BLPEN Black	PHBR High Lumen Battery Pack
	36IN 36"	SPEN Silver	PDMXR DMX/RDM Driver
CSTEM Cable Stem	18IN 18"	WCAB White with White Cord	
	48IN 48"	BLCAB Black with Black Cord	
	120IN 120"	SCAB Silver with Black Cord	

Add mounting hardware to the end of the complete catalog #.
 EX: LC8P 08LM MVOLT B G4 80CRI BR ZT HW CS PF PSTEM 18IN BLPEN PBR

Ordering Notes

- 1 2700K & 3000K only.
- 2 Not available with 347V.
- 3 Not compatible with LDI.
- 4 120V only.
- 5 Specify voltage.
- 6 Not compatible with cable mount.
- 7 Not available for 4500 lumens and up.
- 8 Not available for 3300 lumens and up.
- 9 Not available for 5500 lumens.
- 10 Not available for 4000 lumens and up.
- 11 Only compatible with EZ10, EZ1 & EZB (nPS 80 EZ) drivers.
- 12 Can not be dimmed when used with cable mount (CSTEM).
- 13 Only available with BL or WH trim finish.
- 14 Not compatible with BR or HBR.
- 15 Not required when specifying WH finish.
- 16 Not compatible with BR, HBR, or LDI.
- 17 See AE1BN notes in following table for compatibility with other options.

AE1BN Notes

Not available with 347.
 Only compatible with ZT, EZ1, EZB, EZ10 drivers.
 BR, HBR, NL, NLER not compatible with AE1BN.
 Recommended ceiling height of 30' and under; not intended for use on ceilings greater than 40'.

The Bluetooth® word mark and logos are registered trademarks owned by Bluetooth SIG, Inc. and any use of such marks by Acuity Brands Lighting is under license.

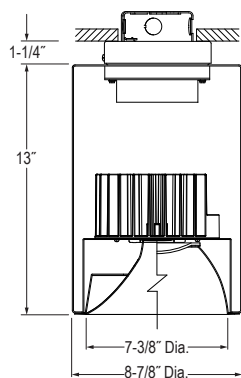
PRODUCT SPECIFICATIONS (cont.)

MECHANICAL

Housing: One piece heavy gauge aluminum with white, black or silver baked textured powder coat finish.

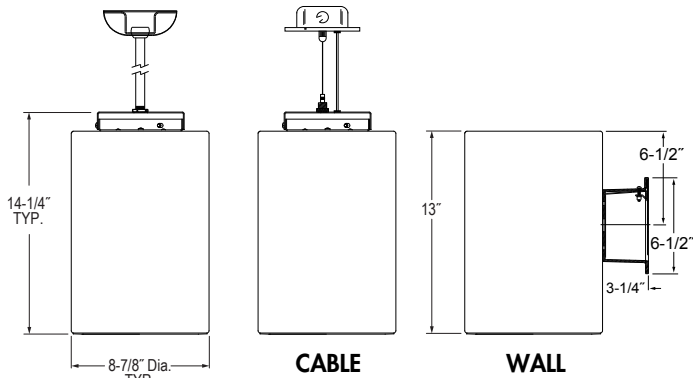
Mounting: Available for surface, pendant, cable or wall mounting • Pendant mounting features hang straight pendant mounting kits that allows for mounting on to sloped ceilings with an angle up to 35°

DIMENSIONS



SURFACE MOUNT

MOUNTING DETAIL:

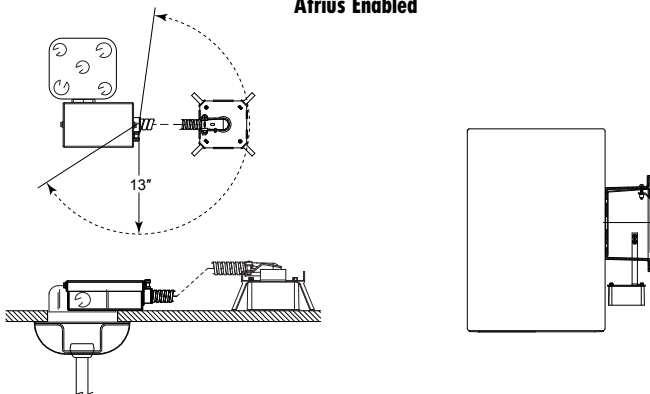


PENDANT

CABLE

WALL

Atrius Enabled



ENERGY STAR® certified

PRODUCT#		FIXTURE CONFIGURATIONS = ENERGY STAR	
	MVOLT (120V-277V), 80 CRI LC8(M) (WW)LM (XX)K MVOLT G4 (YY)CRI (ZZ) (CC) ¹	Mounting Option: M = S, P, W, C Lumen Package: WW = 08 ² , 13 ² , 15, 17, 23, 28, 33, 40, 45, 50, 55 CCT: XX = 27, 30, 35, 40, 50 Voltage: MVOLT (120V-277V) CRI: YY = 80, 90, 97 Trim Type: ZZ = HN, HM, HW, P Trim Color/Finish: CC = CS, CSS, CD	

1 EDAB, EDXB, PD and FDL options are not ENERGY STAR® certified.
 2 Indicated lumen packages are not ENERGY STAR® certified with -DMXR or -DALI options when used with 277 volts.

LABELS AND LISTINGS

• UL & cUL listed for damp locations • RoHS compliant • EMI complies with FCC 47, Part 15, Class A • ENERGY STAR® certified, see table above for designated products • I.B.E.W. Union made • ARRA Compliant

ENGINEERING DATA											*Consult Factory
VOLTAGE											
120											
LIGHT ENGINE LUMENS	800	1300	1500	1700	2300	2800	3300	4000	4500	5000	5500
CCT											
2700K/3000K/3500K/4000K/5000K											
INPUT CURRENT	0.063	0.098	0.115	0.132	0.180	0.221	0.263	0.334	0.328	0.364	0.410
INPUT WATTAGE	7.53	11.74	13.66	15.82	21.52	26.46	31.62	40.14	39.41	43.54	49.08
INPUT FREQUENCY	50/60Hz	50/60Hz	50/60Hz	50/60Hz	50/60Hz	50/60Hz	50/60Hz	50/60Hz	50/60Hz	50/60Hz	50/60Hz
THD%	6.42	5.19	4.61	3.86	5.09	5.46	4.43	4.53	6.03	6.03	6.23
POWER FACTOR	0.993	0.993	0.992	0.994	0.994	0.995	0.997	0.998	0.996	0.996	0.996
VOLTAGE											
277											
LIGHT ENGINE LUMENS	800	1300	1500	1700	2300	2800	3300	4000	4500	5000	5500
CCT											
2700K/3000K/3500K/4000K/5000K											
INPUT CURRENT	0.031	0.048	0.056	0.063	0.085	0.100	0.123	0.150	0.153	0.167	0.187
INPUT WATTAGE	7.87	11.84	13.81	15.89	21.65	26.19	31.83	39.68	39.74	43.80	49.02
INPUT FREQUENCY	50/60Hz	50/60Hz	50/60Hz	50/60Hz	50/60Hz	50/60Hz	50/60Hz	50/60Hz	50/60Hz	50/60Hz	50/60Hz
THD%	12.00	11.62	11.31	11.34	9.93	9.04	10.48	8.79	9.15	8.07	9.85
POWER FACTOR	0.904	0.885	0.887	0.907	0.918	0.943	0.932	0.953	0.934	0.943	0.944
VOLTAGE											
347											
LIGHT ENGINE LUMENS	800	1300	1500	1700	2300	2800	3300	4000	4500	5000	5500
CCT											
2700K/3000K/3500K/4000K/5000K											
INPUT CURRENT	0.025	0.038	0.043	0.050	0.067	0.083	0.099	0.128	*	*	*
INPUT WATTAGE	8.59	12.99	14.91	17.15	23.20	28.54	34.05	44.12	*	*	*
INPUT FREQUENCY	50/60Hz	50/60Hz	50/60Hz	50/60Hz	50/60Hz	50/60Hz	50/60Hz	50/60Hz	*	*	*
THD%	13.05	11.53	10.41	9.69	7.79	7.26	6.54	5.77	*	*	*
POWER FACTOR	0.987	0.992	0.990	0.991	0.992	0.995	0.993	0.996	*	*	*

HYPERBOLIC																						
DELIVERED LUMENS/LUMENS PER WATT (35K 80CRI)																						
	800 35K		1300 35K		1500 35K		1700 35K		2300 35K		2800 35K		3300 35K		4000 35K		4500 35K		5000 35K		5500 35K	
TRIM	Lumens	LPW	Lumens	LPW	Lumens	LPW	Lumens	LPW	Lumens	LPW	Lumens	LPW	Lumens	LPW	Lumens	LPW	Lumens	LPW	Lumens	LPW	Lumens	LPW
L8 HN CS	801	106.4	1336	113.8	1544	113.0	1758	111.1	2366	109.9	2853	107.8	3320	105.0	4037	100.6	4425	112.3	4843	111.2	5363	109.3
L8 HN CSS	729	96.8	1216	103.6	1405	102.9	1600	101.1	2153	100.1	2596	98.1	3021	95.6	3674	91.5	4126	104.7	4516	103.7	5001	101.9
L8 HN CD	678	90.1	1131	96.4	1307	95.7	1488	94.1	2004	93.1	2416	91.3	2812	88.9	3418	85.2	3715	94.3	4066	93.4	4502	91.7
L8 HM CS	827	109.8	1379	117.4	1593	116.6	1814	114.6	2442	113.5	2944	111.3	3426	108.4	4166	103.8	4521	114.7	4948	113.6	5479	111.6
L8 HM CSS	798	106.0	1331	113.4	1538	112.6	1751	110.7	2358	109.6	2843	107.4	3308	104.6	4022	100.2	4463	113.2	4884	112.2	5408	110.2
L8 HM CD	741	98.5	1236	105.3	1429	104.6	1627	102.8	2190	101.7	2640	99.8	3072	97.2	3736	93.1	4052	102.8	4434	101.8	4910	100.0
L8 HW CS	833	110.7	1390	118.4	1606	117.6	1828	115.6	2461	114.4	2968	112.2	3454	109.2	4199	104.6	4596	116.6	5030	115.5	5570	113.5
L8 HW CSS	813	108.0	1356	115.5	1568	114.8	1785	112.8	2402	111.6	2897	109.5	3371	106.6	4099	102.1	4399	111.6	4814	110.6	5330	108.6
L8 HW CD	724	96.2	1208	102.9	1396	102.2	1589	100.5	2139	99.4	2579	97.5	3002	94.9	3650	90.9	3875	98.3	4241	97.4	4696	95.7

PARABOLIC																						
DELIVERED LUMENS/LUMENS PER WATT (35K 80CRI)																						
	800 35K		1300 35K		1500 35K		1700 35K		2300 35K		2800 35K		3300 35K		4000 35K		4500 35K		5000 35K		5500 35K	
TRIM	Lumens	LPW	Lumens	LPW	Lumens	LPW	Lumens	LPW	Lumens	LPW	Lumens	LPW	Lumens	LPW	Lumens	LPW	Lumens	LPW	Lumens	LPW	Lumens	LPW
L8 P CS	615	81.7	1026	87.4	1186	86.8	1350	85.3	1817	84.4	2191	82.8	2550	80.6	3100	77.2	3608	91.6	3949	90.7	4373	89.1
L8 P CSS	656	87.1	1094	93.2	1264	92.6	1439	91.0	1938	90.0	2336	88.3	2719	86.0	3306	82.4	3747	95.1	4101	94.2	4541	92.5
L8 P CD	614	81.6	1024	87.3	1184	86.7	1348	85.2	1814	84.3	2188	82.7	2546	80.5	3095	77.1	3443	87.4	3768	86.5	4173	85.0

BEAM SPREAD	
TRIM	DEGREE
L8 HN CS	16°
L8 HN CSS	21°
L8 HN CD	45°
L8 HM CS	51°
L8 HM CSS	51°
L8 HM CD	55°
L8 HW CS	71°
L8 HW CSS	71°
L8 HW CD	71°
L8 P CS	35°
L8 P CSS	35°
L8 P CD	55°
L8 BAF BL	77°

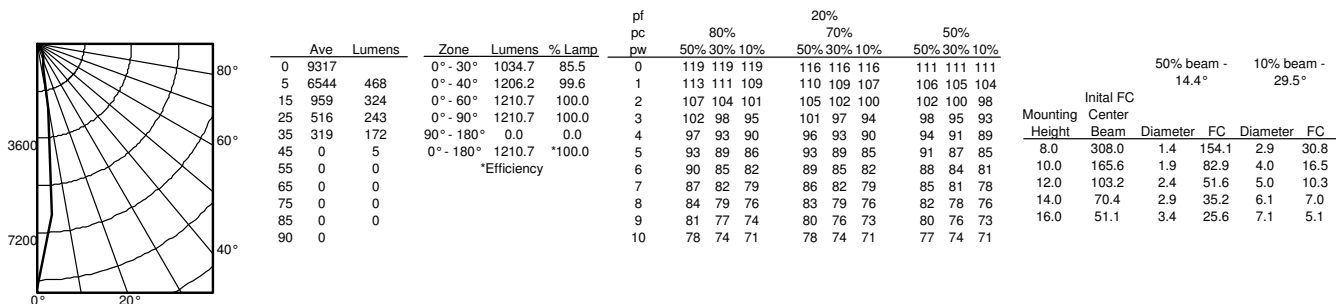
CCT MULTIPLIERS		
CCT	08LM-40LM	45LM-55LM
2700K	0.9	0.92
3000K	0.96	0.97
3500K	1	1
4000K	1.02	1.01
5000K	1.04	1.05

CRI MULTIPLIERS		
CRI	08LM-40LM	45LM-55LM
80CRI	1	1
90CRI	0.83	0.85
97CRI	0.80	0.77

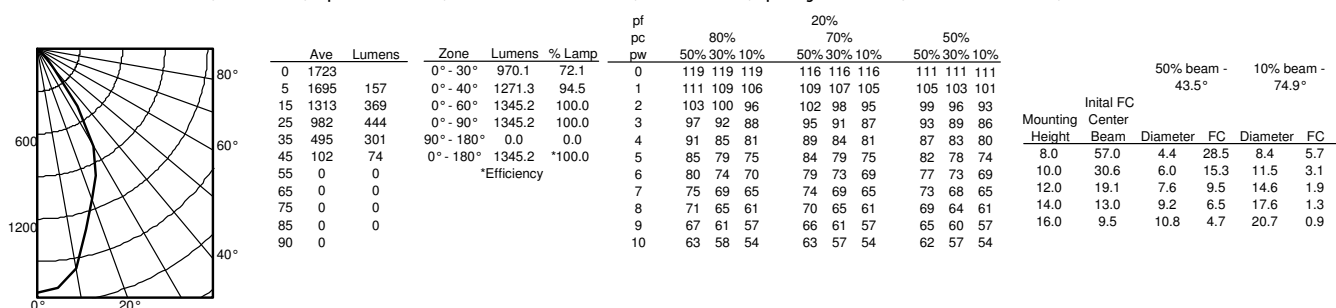
PHOTOMETRICS

Distribution Curve Distribution Data Output Data Coefficient of Utilization Illuminance Data at 30" Above Floor for a Single Luminaire

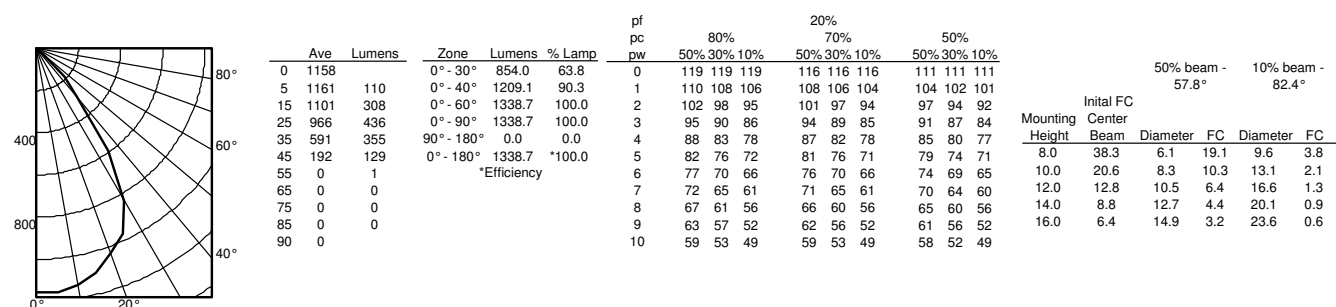
LC8S 13LM 35K + L8 HN CS, 3500K LEDs, input watts: 11.74, delivered lumens: 1210.7, LM/W = 103.1, Spacing Criteria: 0.2, test no. PR07171886, tested in accordance to IESNA LM-79.



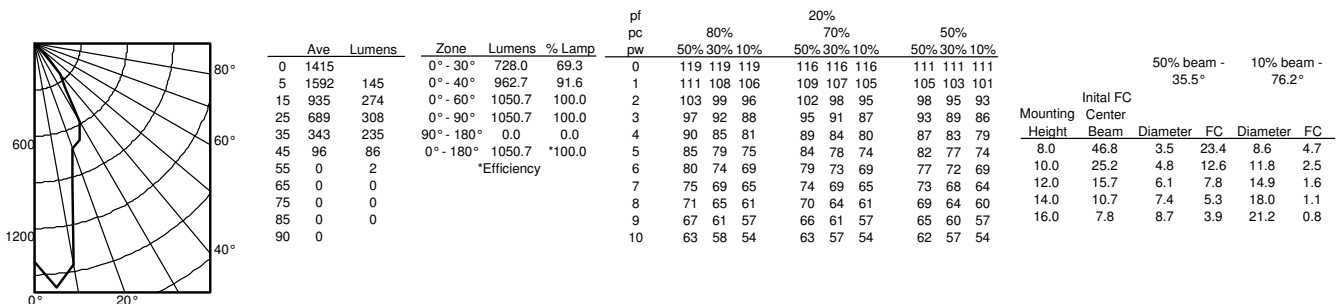
LC8S 13LM 35K + L8 HM CS, 3500K LEDs, input watts: 11.74, delivered lumens: 1345.2, LM/W = 114.6, Spacing Criteria: 0.8, test no. PR07171881, tested in accordance to IESNA LM-79.



LC8S 13LM 35K + L8 HW CS, 3500K LEDs, input watts: 11.74, delivered lumens: 1338.7, LM/W = 114.0, Spacing Criteria: 1.1, test no. PR07171884, tested in accordance to IESNA LM-79.



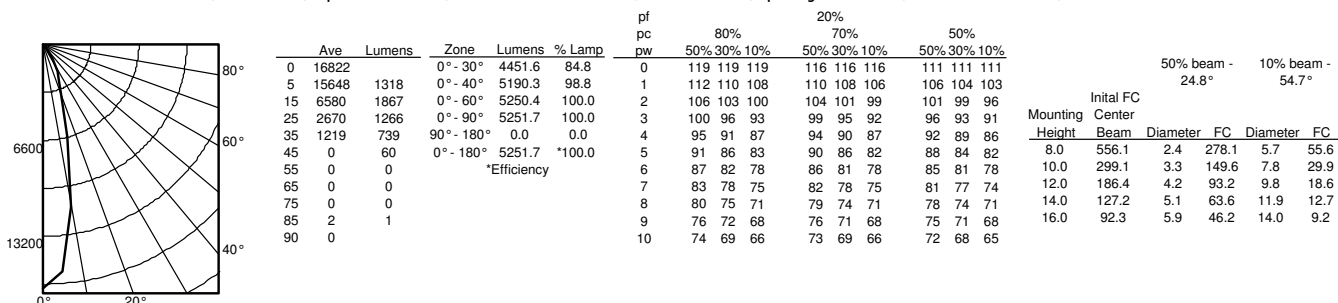
LC8S 13LM 35K + L8 P CS, 3500K LEDs, input watts: 11.74, delivered lumens: 1050.7, LM/W = 89.5, Spacing Criteria: 0.6, test no. PR07171887, tested in accordance to IESNA LM-79.



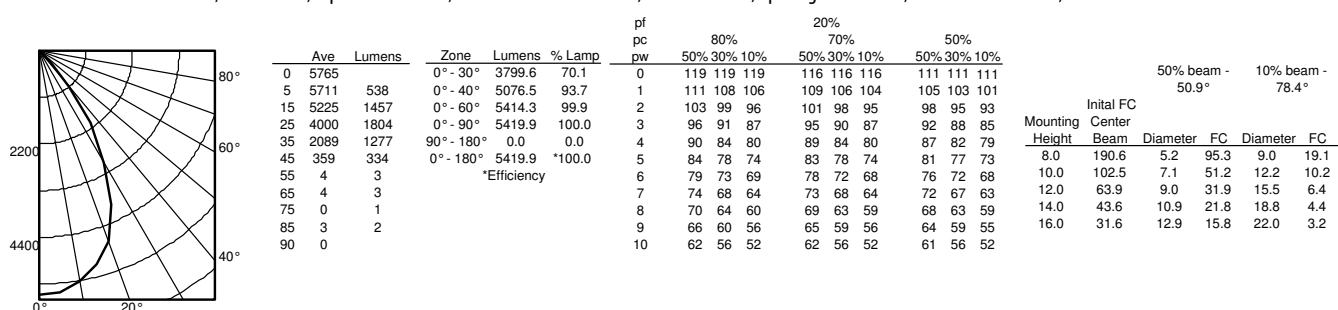
PHOTOMETRICS

Distribution Curve Distribution Data Output Data Coefficient of Utilization Illuminance Data at 30" Above Floor for a Single Luminaire

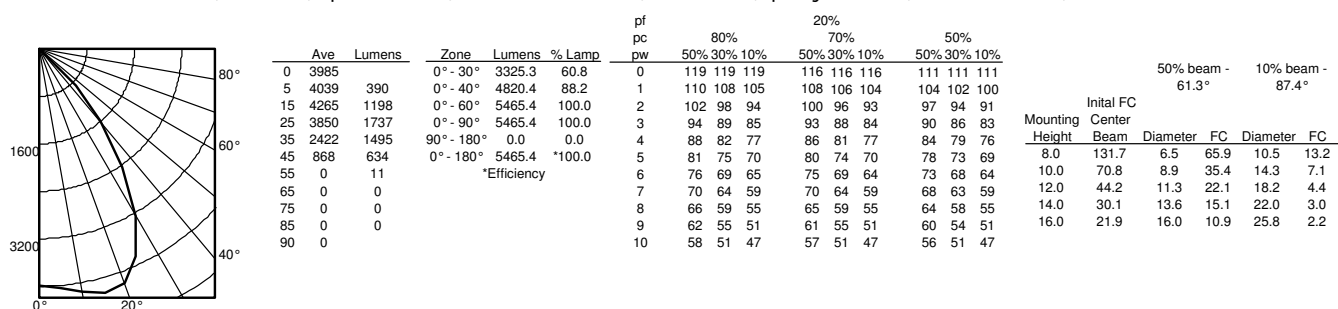
LC8S 55LM 35K + L8 HN CS, 3500K LEDs, input watts: 51.08, delivered lumens: 5251.7, LM/W = 102.8, Spacing Criteria: 0.4, test no. PR07171373, tested in accordance to IESNA LM-79.



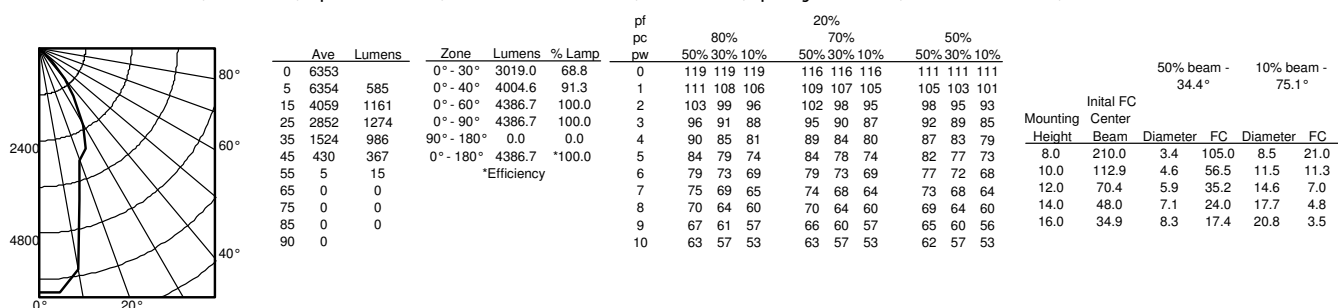
LC8S 55LM 35K + L8 HM CS, 3500K LEDs, input watts: 51.08, delivered lumens: 5419.9, LM/W = 106.1, Spacing Criteria: 1.0, test no. PR07171274, tested in accordance to IESNA LM-79.



LC8S 55LM 35K + L8 HW CS, 3500K LEDs, input watts: 51.08, delivered lumens: 5465.4, LM/W = 107.0, Spacing Criteria: 1.2, test no. PR07171291, tested in accordance to IESNA LM-79.



LC8S 55LM 35K + L8 P CS, 3500K LEDs, input watts: 51.08, delivered lumens: 4386.7, LM/W = 85.9, Spacing Criteria: 0.6, test no. PR07171771, tested in accordance to IESNA LM-79.



PERFORMANCE DATA

LUMINAIRES SPACED 2' FROM WALL

Catalog Number: LC8(X) 55LM 35K MVOLT G4 80CRI ZT; L8 HWS CSS Spread: Single Wall Test #: PR07152391P

Single Unit						Lamp	Multiple Units On 2' Centers*			Multiple Units On 3' Centers*			Multiple Units On 4' Centers*		
Lateral Distance From Fixture 2' From Wall						BXRA N4000 4000K	Spaced 2' From Wall			Spaced 2' From Wall			Spaced 2' From Wall		
0'	1'	2'	3'	4'	5'	Distance From Ceiling	CL	CL	CL	CL	CL	CL	CL	CL	CL
76	52	22	8	4	4	1'	121	117	121	91	73	91	82	43	82
66	51	26	11	6	4	2'	120	119	120	86	79	86	74	52	74
58	44	24	12	7	5	3'	108	107	108	80	71	80	68	48	68
47	39	25	14	8	6	4'	102	102	102	72	71	72	59	50	59
32	30	22	14	9	7	5'	84	86	84	58	61	58	45	46	45
21	22	18	14	9	7	6'	67	71	67	47	52	47	36	39	36
16	17	15	12	9	8	7'	56	60	56	40	45	40	31	33	31
13	14	12	10	8	7	8'	47	51	47	34	38	34	27	28	27
10	11	10	8	7	6	9'	37	40	37	28	31	28	21	22	21
7	8	7	6	6	4	10'	27	29	27	21	24	21	16	18	16

LUMINAIRES SPACED 3' FROM WALL

Catalog Number: LC8(X) 55LM 35K MVOLT G4 80CRI ZT; L8 HWS CSS Spread: Single Wall Test #: PR07152391P

Single Unit						Lamp	Multiple Units On 3' Centers*			Multiple Units On 4' Centers*			Multiple Units On 6' Centers*		
Lateral Distance From Fixture 3' From Wall						BXRA N4000 4000K	Spaced 3' From Wall			Spaced 3' From Wall			Spaced 3' From Wall		
0'	1'	2'	3'	4'	5'	Distance From Ceiling	CL	CL	CL	CL	CL	CL	CL	CL	CL
31	26	17	10	6	4	1'	49	47	49	40	35	40	33	17	33
41	36	24	14	9	6	2'	69	69	69	56	51	56	44	25	44
29	27	20	14	9	7	3'	56	56	56	44	42	44	33	23	33
29	26	19	13	9	7	4'	54	54	54	43	40	43	33	23	33
28	25	19	14	10	7	5'	54	54	54	43	41	43	32	25	32
24	22	18	14	10	8	6'	51	52	51	40	41	40	29	25	29
19	19	16	13	10	9	7'	46	48	46	36	37	36	25	24	25
14	15	14	12	9	8	8'	39	43	39	31	34	31	21	22	21
11	12	11	10	8	7	9'	32	36	32	25	28	25	17	18	17
8	9	9	7	7	6	10'	26	28	26	20	23	20	13	15	13

LUMINAIRES SPACED 4' FROM WALL

Catalog Number: LC8(X) 55LM 35K MVOLT G4 80CRI ZT; L8 HWS CSS Spread: Single Wall Test #: PR07152391P

Single Unit						Lamp	Multiple Units On 3' Centers*			Multiple Units On 4' Centers*			Multiple Units On 6' Centers*		
Lateral Distance From Fixture 4' From Wall						BXRA N4000 4000K	Spaced 4' From Wall			Spaced 4' From Wall			Spaced 4' From Wall		
0'	1'	2'	3'	4'	5'	Distance From Ceiling	CL	CL	CL	CL	CL	CL	CL	CL	CL
17	15	12	8	6	5	1'	33	33	33	26	25	26	20	15	20
28	25	19	13	10	7	2'	55	55	55	43	42	43	33	25	33
24	22	18	14	11	8	3'	52	53	52	41	41	41	30	26	30
20	18	15	12	10	8	4'	44	44	44	35	35	35	25	23	25
20	18	15	12	10	8	5'	43	44	43	35	34	35	25	22	25
19	18	15	12	10	8	6'	44	44	44	35	35	35	26	23	26
18	17	15	12	10	9	7'	43	44	43	34	35	34	25	23	25
16	15	14	11	10	9	8'	41	43	41	32	33	32	23	22	23
13	12	11	10	9	8	9'	35	37	35	28	29	28	20	19	20
9	9	9	8	7	6	10'	28	29	28	22	23	22	15	16	15

*Based on minimum of five luminaires. Reflectances: 80, 50, 20. Values are rounded to nearest whole footcandle.

Fixtures tested to IES recommended standard for solid state lighting per LM-79-08. Photometric performance on a single unit represents a baseline of performance for the fixture. Results may vary in the field.

PERFORMANCE DATA

LUMINAIRES SPACED 2' FROM WALL

Catalog Number: LC8(X) 55LM 35K MVOLT G4 80CRI ZT; L8 WS CD Spread: Single Wall Test #: PR06151993P

Single Unit						Lamp	Multiple Units On 2' Centers*			Multiple Units On 3' Centers*			Multiple Units On 4' Centers*		
Lateral Distance From Fixture 2' From Wall						BXRA N4000 4000K	Spaced 2' From Wall			Spaced 2' From Wall			Spaced 2' From Wall		
0'	1'	2'	3'	4'	5'	Distance From Ceiling	CL	CL	CL	CL	CL	CL	CL	CL	CL
91	63	25	9	5	4	1'	142	137	142	106	85	106	97	49	97
116	89	43	17	8	6	2'	205	206	205	146	133	146	127	85	127
84	66	35	17	9	7	3'	160	161	160	114	106	114	97	70	97
55	49	34	18	9	7	4'	129	128	129	88	93	88	69	69	69
34	33	28	19	11	8	5'	99	103	99	70	71	70	51	57	51
22	25	21	17	12	9	6'	78	83	78	56	60	56	42	45	42
17	19	17	14	12	9	7'	66	70	66	47	52	47	36	39	36
14	16	14	12	11	9	8'	55	59	55	41	45	41	32	32	32
10	12	11	10	9	8	9'	43	46	43	33	37	33	25	26	25
7	9	8	7	7	5	10'	31	33	31	25	28	25	19	21	19

LUMINAIRES SPACED 3' FROM WALL

Catalog Number: LC8(X) 55LM 35K MVOLT G4 80CRI ZT; L8 WS CD Spread: Single Wall Test #: PR06151993P

Single Unit						Lamp	Multiple Units On 3' Centers*			Multiple Units On 4' Centers*			Multiple Units On 6' Centers*		
Lateral Distance From Fixture 3' From Wall						BXRA N4000 4000K	Spaced 3' From Wall			Spaced 3' From Wall			Spaced 3' From Wall		
0'	1'	2'	3'	4'	5'	Distance From Ceiling	CL	CL	CL	CL	CL	CL	CL	CL	CL
30	26	16	10	6	5	1'	48	47	48	40	35	40	33	16	33
63	55	35	20	11	7	2'	102	101	102	82	74	82	67	36	67
51	47	34	22	13	9	3'	94	96	94	74	72	74	56	38	56
43	39	29	19	13	9	4'	81	80	81	64	61	64	48	34	48
35	33	26	19	13	9	5'	71	72	71	55	57	55	39	34	39
27	26	23	18	14	10	6'	63	63	63	49	51	49	33	34	33
21	21	19	17	14	11	7'	55	57	55	43	44	43	28	30	28
16	17	15	14	12	11	8'	46	50	46	36	39	36	25	25	25
12	13	12	11	10	9	9'	37	42	37	29	33	29	21	21	21
8	9	10	8	8	8	10'	30	32	30	23	26	23	16	16	16

LUMINAIRES SPACED 4' FROM WALL

Catalog Number: LC8(X) 55LM 35K MVOLT G4 80CRI ZT; L8 WS CD Spread: Single Wall Test #: PR06151993P

Single Unit						Lamp	Multiple Units On 3' Centers*			Multiple Units On 4' Centers*			Multiple Units On 6' Centers*		
Lateral Distance From Fixture 4' From Wall						BXRA N4000 4000K	Spaced 4' From Wall			Spaced 4' From Wall			Spaced 4' From Wall		
0'	1'	2'	3'	4'	5'	Distance From Ceiling	CL	CL	CL	CL	CL	CL	CL	CL	CL
16	14	11	8	6	5	1'	30	30	30	24	24	24	19	19	19
35	31	24	17	12	9	2'	68	69	68	54	52	54	41	31	41
40	37	30	21	15	11	3'	83	85	83	65	65	65	48	41	48
32	30	25	20	15	11	4'	72	74	72	57	57	57	40	37	40
29	27	22	17	14	11	5'	64	65	64	51	51	51	37	33	37
26	24	21	17	13	11	6'	61	61	61	47	48	47	34	32	34
22	21	19	16	13	11	7'	55	57	55	45	45	45	30	30	30
18	17	16	14	12	11	8'	50	52	50	40	40	40	28	27	28
14	14	13	12	11	10	9'	42	44	42	33	34	33	24	22	24
10	10	10	9	9	8	10'	33	34	33	25	27	25	18	19	18

*Based on minimum of five luminaires. Reflectances: 80, 50, 20. Values are rounded to nearest whole footcandle.

Fixtures tested to IES recommended standard for solid state lighting per LM-79-08. Photometric performance on a single unit represents a baseline of performance for the fixture. Results may vary in the field.

CONTROLS

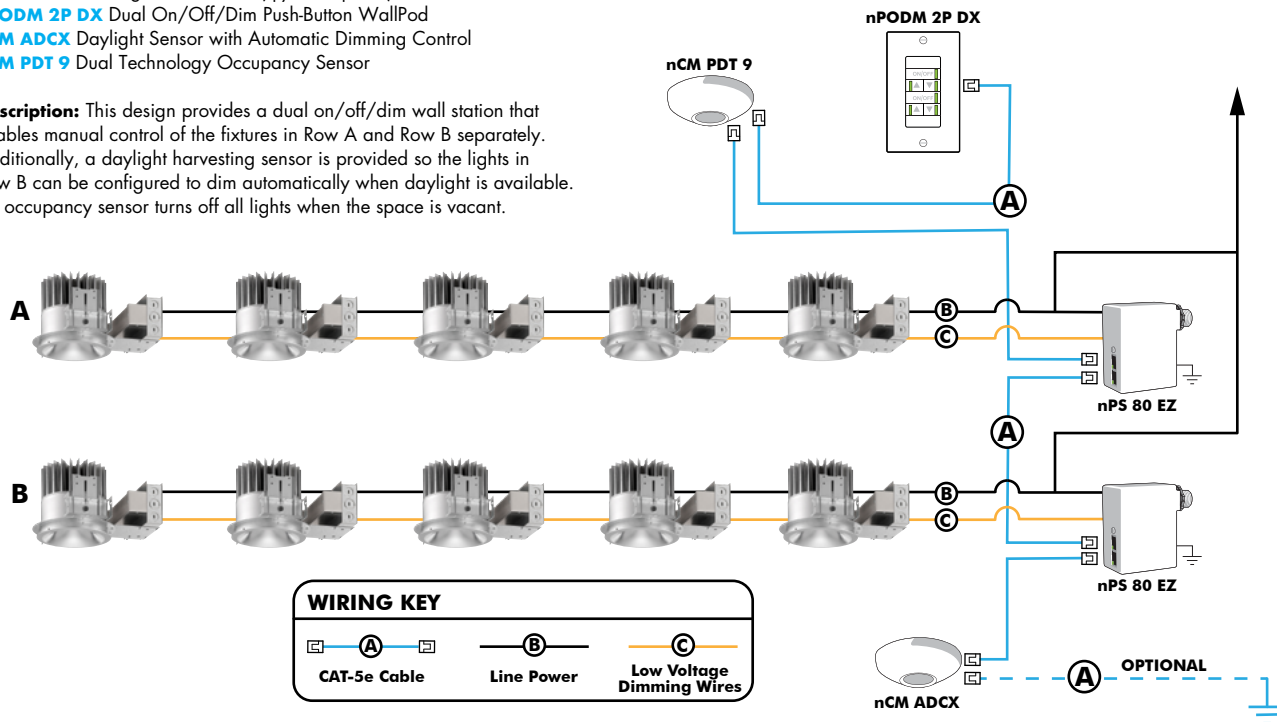
EXAMPLE

Group Fixture Control*

*Application diagram applies for fixtures with eldoLED drivers only.

- nPS 80 EZ** Dimming/Control Pack (qty: 2 required)
- nPODM 2P DX** Dual On/Off/Dim Push-Button WallPod
- nCM ADCX** Daylight Sensor with Automatic Dimming Control
- nCM PDT 9** Dual Technology Occupancy Sensor

Description: This design provides a dual on/off/dim wall station that enables manual control of the fixtures in Row A and Row B separately. Additionally, a daylight harvesting sensor is provided so the lights in Row B can be configured to dim automatically when daylight is available. An occupancy sensor turns off all lights when the space is vacant.



Choose Wall Controls

nLight offers multiple styles of wall controls - each with varying features and user experience.



Push-Button Wallpod
Traditional tactile buttons and LED user feedback

Graphic Wallpod
Full color touch screen provides a sophisticated look and feel

nLight® Controls Accessories:			
Order as separate catalog number. Visit www.sencorswitch.com/nLight for complete listing of nLight controls.			
WallPod Stations	Model number	Occupancy sensors	Model Number
On/Off	nPODM (Color)	Small motion 360°, ceiling (PIR/dual Tech)	nCM 9 / nCM PDT 9
On/Off & Raise/Lower	nPOD DX (Color)	Large motion 360°, ceiling (PIR/dual tech)	nCM 10 / nCM PDT 10
Graphic Touchscreen	nPOD GFX (Color)	Wide View (PIR/dual tech)	nWV 16 / nWV PDT 16
Photocell controls	Model Number	Wall Switch w/ Raise/Lower (PIR/dual tech)	nWSX LV DX / nWSX PDT LV DX
Dimming	nCM ADCX	Cat-5 cables (plenum rated)	Model Number
		10', CAT5 10FT	CAT5 10FT J1
		15, CAT5 15FT	CAT5 15FT J1



Capable Luminaire

This item is an A+ capable luminaire, which has been designed and tested to provide consistent color appearance and out-of-the-box control compatibility with simple commissioning.

- All configurations of this luminaire meet the Acuity Brand's specification for chromatic consistency.
- This luminaire is part of an A+ Certified solution for nLight control networks when ordered with drivers marked by a Shaded background*
- This luminaire is part of an A+ Certified solution for nLight control networks, providing advanced control functionality at the luminaire level, when selection includes driver and control options marked by a shaded background*

To learn more about A+, visit www.acuitybrands.com/aplus.

*See ordering tree for details