



SURFACE MOUNT INSTRUCTIONS FOR DMXR CYLINDER

IMPORTANT SAFETY INSTRUCTIONS

This fixture must be installed in accordance with local, federal codes and the NEC.

1. Read all instructions completely before beginning. Keep these instructions in safe place for future reference.
2. To reduce risk of fire and over-heating, make sure all connections are tight.
3. Turn off the electrical power before proceeding.



CAUTION: Risk of Fire or Electric Shock

LED Surface, Pendant & Cable Mounted Cylinder installation requires knowledge of luminaires electrical systems. If not qualified, do not attempt installation. Contact a qualified person.

For Surface Mounting:

Step ❶: Prior to installing cylinder, remove reveal by loosening screws (3) and unhook safety cable from eyelet basket.

Step ❷: Place reveal over junction box while pulling electrical wiring thru center hole while aligning screws with keyholes slot on face of reveal. Turn reveal and tighten screws to secure in place.

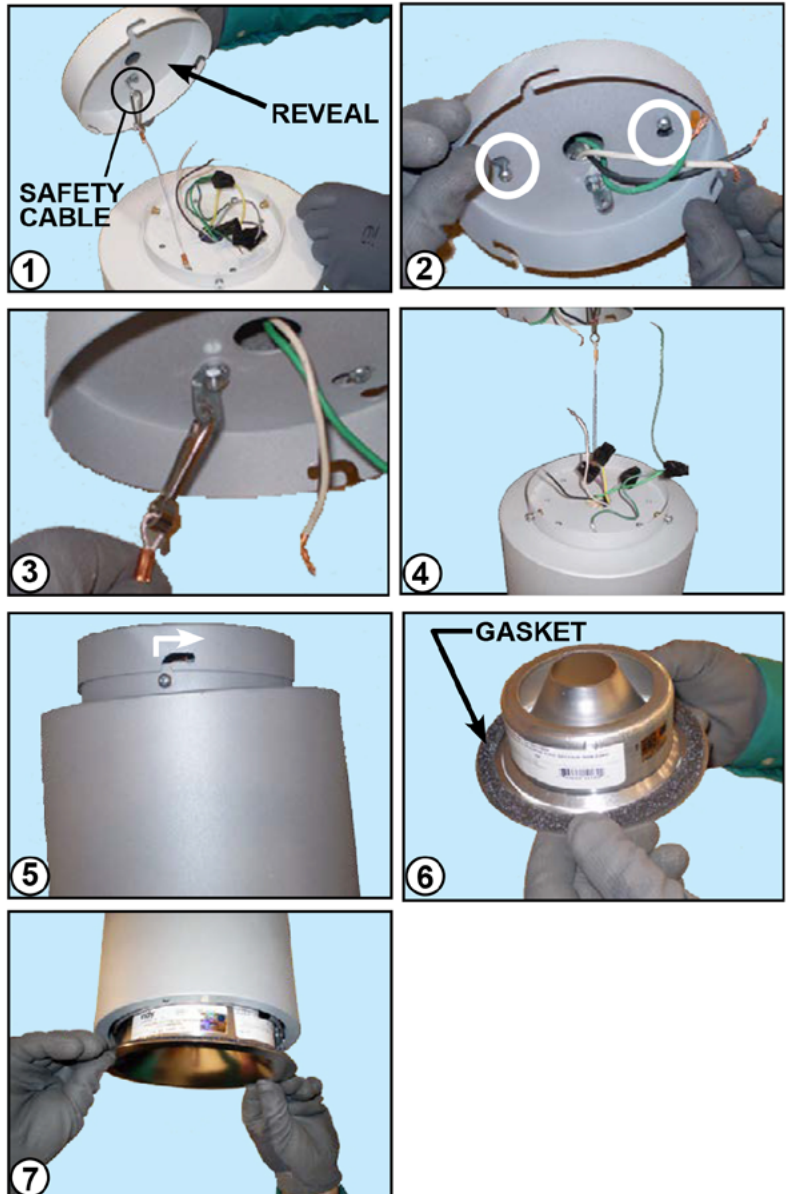
Step ❸: Attach safety cable to eyelet basket within the reveal.

Step ❹: With safety cable attached to reveal, make wiring connects. To ensure proper wiring, see wiring diagrams on next page.

Step ❺: Attach cylinder housing to reveal by aligning screws to slots in reveal, pushing housing up and twisting slightly. Tighten screws to secure in place.

Step ❻: Trim gasket provided separately and must be installed on to trim flange.

Step ❼: Insert trim into housing until trim flange seats firmly against housing. Installation is complete.



Technical Services Phone (888) 387-2212



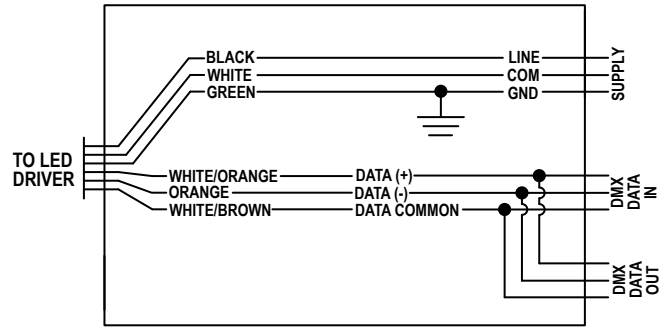
1300 S. Wolf Road • Des Plaines, IL 60018 • Phone 800-323-5068 • Visit us at www.acuitybrands.com/Indy
©2017 Acuity Brands Lighting, Inc. Rev 8/17 065-1234

WIRING DIAGRAM

Step 4: Wiring:

- Fixture is pre-wired and requires only the connection of the supply and data wires as follows:
 - ◆ Splice incoming line voltage lead to Black Thermal Protector lead
 - ◆ Splice incoming common lead to White Thermal Protector/White Driver jumper lead
 - ◆ Splice incoming ground lead to green fixture ground lead
 - ◆ A terminating resistor has been provided with the fixture. Remove (if necessary) to wire fixtures in the middle of run, ensure it is in place for end of run.
 - ◆ Splice incoming Data (+) lead to White/Orange lead from driver with provided 3 position terminal.
 - ◆ Splice incoming Data (-) lead to Orange lead from driver with provided 3 position terminal.
 - ◆ Splice incoming Data Common lead to White/Brown lead from driver with provided 3 position terminal.
- Wire nut any open splices and replace J-Box cover.

120, 277 or 347 VOLT J-BOX WIRING

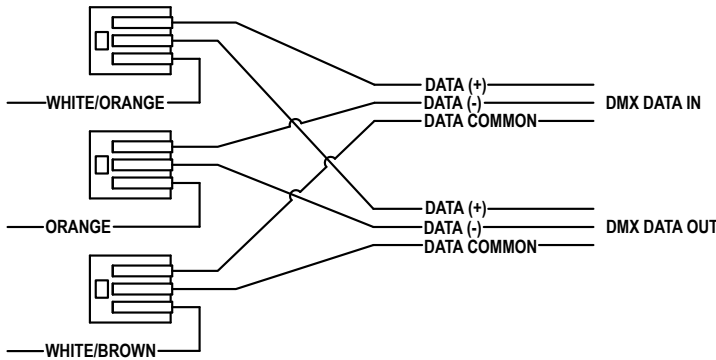


DMX Cat-5 / Cat-5e / Cat-6 Wiring

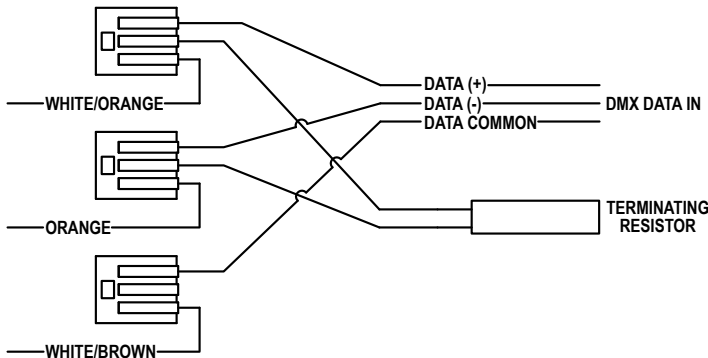
Pin (wire) #	Wire Color	DMX512 Function
1	White/Orange	Data (+)
2	Orange	Data (-)
7	White/Brown	Common

DATA SPLICE DETAIL

INTERMEDIATE FIXTURES



END OF LINE FIXTURES



◆◆ Important: To reduce risk of fire and over-heating, make sure all connections are tight. ◆◆

Technical Services Phone (888) 387-2212