



JUNO® TASK LINEAR ACCENT



FlexConnect™

Architectural Linear Lighting System

SLW212 and SLW412 Series, Wet Location (IP67)

Indoor/Outdoor

Project: _____

Fixture Type: _____

Location: _____

Contact/Phone: _____

PRODUCT DESCRIPTION

Juno FlexConnect linear lighting is a flexible architectural luminaire system featuring onboard current regulation for consistent light output from start to end of run. Delivering up to 400 lumens per foot, this system is ideal for coves, cabinetry, accent lighting, and other indoor architectural applications. Juno FlexConnect luminaires feature silicone encapsulation for durability, reliability, and ease of installation. Patent-pending optical pigment provides industry leading color quality.

PRODUCT SPECIFICATIONS

Construction Flexible, silicone encapsulated LED light engine is equipped with 3M adhesive • Twelve (12) LEDs per foot • LEDs are evenly spaced every 1" • Onboard current regulation maintains consistent light output from start to end of run • Rated for indoor or outdoor use when used with appropriate accessories.

Field-Cuttable Features integrated connectors every six (6) inches, allowing luminaire to be field cut and reconnected in six (6) inch increments. NOTE: MUST USE SLWCUTTER FOR CUTTING LUMINAIRE - see instructions.

Color Quality Features patent-pending optical pigment resulting in industry leading color consistency within 3 SDCM • Available in 2200K, 2700K, 3000K, 3500K, and 4000K in 80 CRI • 2700K and 3000K are also available in 95 CRI • Pigmented silicone is UV resistant for excellent color consistency over life.

Drivers Compatible with Juno Class 2, 24VDC remote mount drivers (ordered separately) • Dimmable drivers are available in 60W or 96W, 120-277V input, and are compatible with 0-10V, ELV, or Triac dimmers • Lutron Hi-Lume A-series 24VDC, 2-wire and 3-wire/EcoSystem compatible drivers are also available • For a list of compatible dimmers, refer to [JUNOLINEARLED-DIM](#)

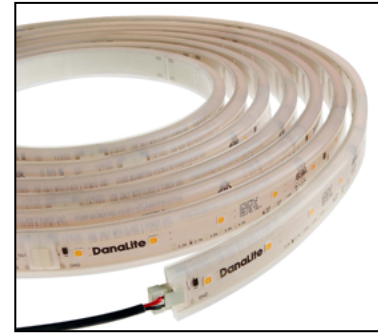
Run Length Supplied in 20' spools • Beginning of spool features 12" of 22AWG wire which can be removed if longer starter cable is required • Minimum run length of 1' • Maximum run length of 40' for SLW212 series and 20' for SLW412 series.

Operating Environment -30°C to 50°C, 95% humidity (non-condensing)

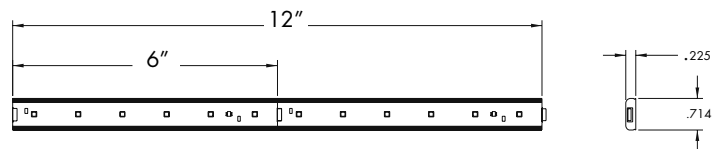
Life Rated for L70 50,000 hours.

Labels ETL/cETL listed for wet locations • IP67 Rated • CE certified.

Warranty 5-year limited warranty. Complete warranty terms located at: http://www.acuitybrands.com/CustomerResources/Terms_and_Conditions.aspx
Specifications subject to change without notice.



DIMENSIONS



PRODUCT CODES

24V Standard Output Flexible LED Strips - IP67 Wet Location

Cat. #	CCT	CRI Min	R9	Watts per Foot	Lumens per Foot
SLW212 20FT 27K 80CRI	2700K	80	35	2.2	175
SLW212 20FT 30K 80CRI	3000K	80	34	2.2	175
SLW212 20FT 35K 80CRI	3500K	80	20	2.2	205
SLW212 20FT 40K 80CRI	4000K	80	20	2.2	205
SLW212 20FT 27K 95CRI	2700K	95	78	2.2	140
SLW212 20FT 30K 95CRI	3000K	95	75	2.2	140

24V High Output Flexible LED Strips - IP67 Wet Location

SLW412 20FT 27K 80CRI	2700K	80	32	4.4	340
SLW412 20FT 30K 80CRI	3000K	80	28	4.4	340
SLW412 20FT 35K 80CRI	3500K	80	18	4.4	400
SLW412 20FT 40K 80CRI	4000K	80	16	4.4	400
SLW412 20FT 27K 95CRI	2700K	95	77	4.4	270
SLW412 20FT 30K 95CRI	3000K	95	74	4.4	270

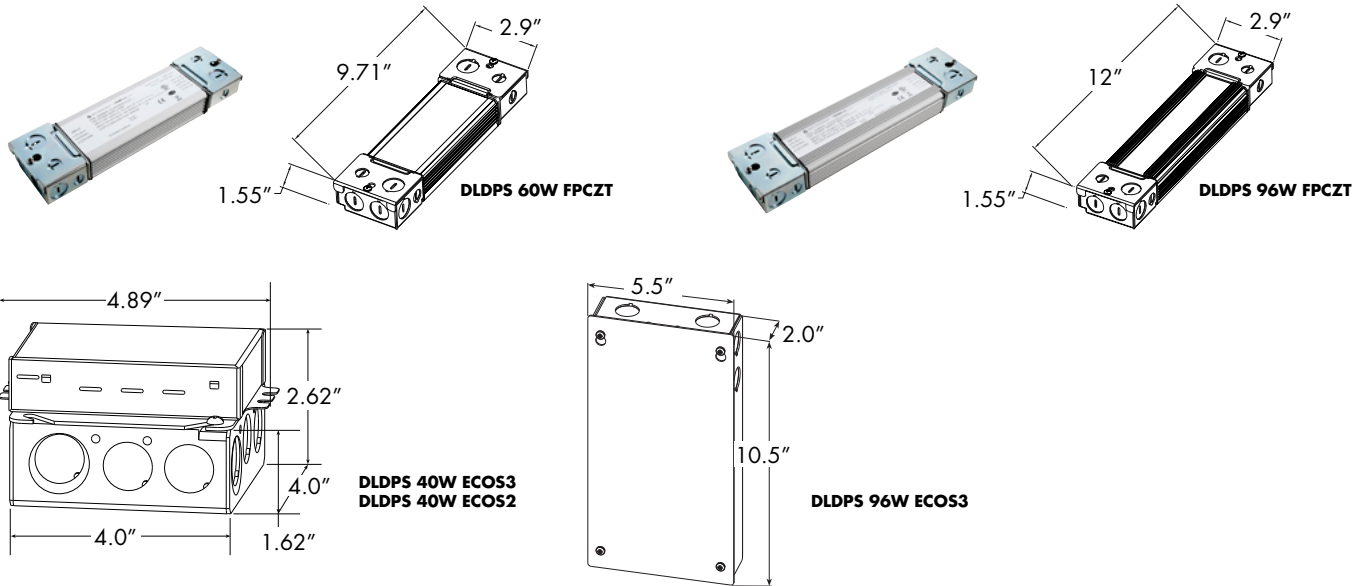
Order in 20' spools.

JUNO® TASK LINEAR ACCENT

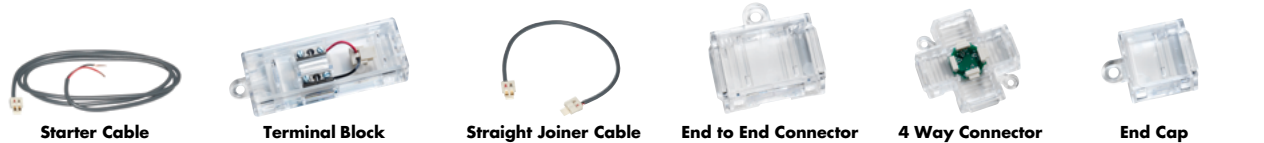
FlexConnect™

Architectural Linear Lighting System

SLW212 and SLW412 Series, Wet Location (IP67) Indoor/Outdoor



Class 2 Remote LED Driver	Catalog #	Input Voltage	Output Voltage	Max Voltage	Dimming	Min. Dim %
Remote 24VDC Driver	DLDPS 60W FPCZT	120-277 VAC	24VDC	60W	0-10V, ELV, Triac	5%
	DLDPS 96W FPCZT	120-277 VAC	24VDC	96W	0-10V, ELV, Triac	5%
Lutron Hi-Lume, A-series, 3-wire	DLDPS 40W ECOS3	120-277 VAC	24VDC	40W	3-wire & EcoSystem	1%
	DLDPS 96W ECOS3	120-277 VAC	24VDC	96W	3-wire & EcoSystem	0.1%
Lutron Hi-Lume, A-series, 2-wire	DLDPS 40W ECOS2	120 VAC	24VDC	40W	2-wire Forward Phase	1%



Electrical Feeds	Catalog #	Description	Length
Starter Cable	SL101P 36IN	22 AWG, CL2 rated starter cable, rated for in-wall use	36"
	SL101P 144IN	22 AWG, CL2 rated starter cable, rated for in-wall use	144"
Terminal Block, IP67	SLW101TB	One end connects to strip. Accepts 14 to 20 AWG solid/stranded wire, including non-metallic sheathed cable. IP67 Rated.	
Straight Joiner Cables	SL102FLX 2IN	22 AWG cable, 2"	2"
	SL102FLX 6IN	22 AWG, CL2 rated cable, rated for in-wall use	6"
	SL102FLX 12IN	22 AWG, CL2 rated cable, rated for in-wall use	12"
	SL102FLX 36IN	22 AWG, CL2 rated cable, rated for in-wall use	36"
	SL102FLX 72IN	22 AWG, CL2 rated cable, rated for in-wall use	72"
End to End Connector, IP67	SLW102EE	End to End Connector for continuous lit run, IP67	
4-way Connector, IP67	SLW102X	4-way connector, accepts up to 4 strips or 1 feed and 3 strips, IP67	
End Cap, IP67	SLW101EC	End Cap for sealing field cut end of luminaire, IP67	

JUNO® TASK LINEAR ACCENT

FlexConnect™

Architectural Linear Lighting System

SLW212 and SLW412 Series, Wet Location (IP67)

Indoor/Outdoor

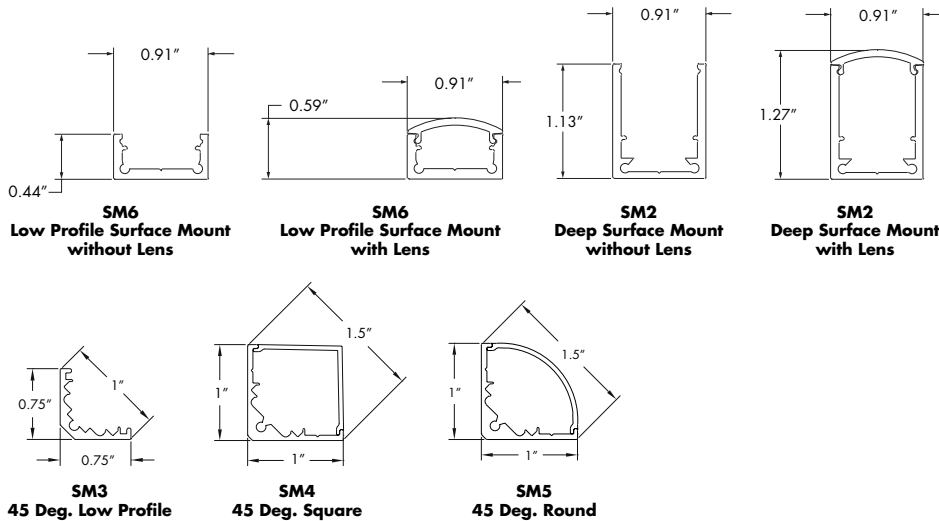


Cutting Tool



Mounting Clips

Mounting Accessories	Catalog #	Description
Cutting Tool	SLWCUTTER	SLW Series Cutting Tool - REQUIRED TO FIELD CUT LUMINAIRE
Mounting Clips	SLWCLIP	SLW Series Mounting Clips, Qty: 20



Aluminum Channels Ordering Example: **SM6 48IN FR SA**

Channel Type	Length	Lens	Finish
SM6 Low Profile Surface Mount	48IN	NL No Lens	SA Satin Aluminum
SM2 Deep Surface Mount		CL Clear Lens	BL Black
SM3* 45 Degree Low Profile		FR Frosted Lens	WH White
SM4 45 Degree Square			
SM5 45 Degree Round			

* Only available with 'NL' lens option
Endcaps included with lensed options