

Project		Catalog #		Type	
Prepared by		Notes		Date	



Metalux

NWS Selectable Wrap

LED Wraparound with Selectable Lumens and CCT

Typical Applications

• Offices • Education • Healthcare • Retail

Interactive Menu

- Order Information [page 2](#)
- Product Specifications [page 3](#)
- Product Warranty

Product Certification



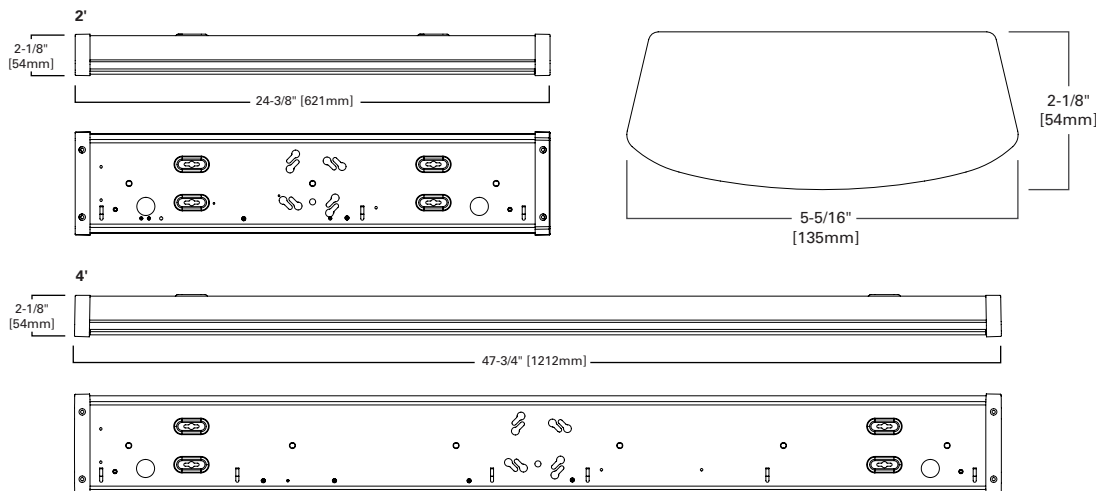
Product Features



Top Product Features

- Selectable CCT 3500K, 4000K, 5000K and selectable lumens up from 2,000-5,200 lumens
- Up to 143 lm/w efficiency, ideal for replacing two or three lamp fluorescent wraparounds (up to 96W equivalent)
- 0-10V dimming standard with 120-277V UNV
- Phase cut 120V triac dimming with "R" ordering option
- Suitable for ceiling, wall, or suspension mounting and row mounting
- DLC 5.1 Compliant
- Optional integrated microwave motion sensor (MS) available for 4' type

Dimensional and Mounting Details



Order Information and Performance Data

Size	Catalog Number	UPC	Volt	Sensor	Lumen Setting	Nominal CCT	CRI	Delivered Nominal Lumens	Watts	Efficacy (lm/W)	Wt.	Units per Pallet
2 ft	2NWS3C3-UNV	080083257485	120-277V	NO	High	3500K	82	2,522	21.8	116	3.1 lbs.	224
						4000K	82	2,679	21.0	128		
						5000K	82	2,574	21.7	119		
					Medium	3500K	82	2,266	18.0	126		
						4000K	82	2,366	17.5	135		
						5000K	82	2,294	18.1	127		
					Low	3500K	82	2,009	15.8	127		
						4000K	82	2,087	15.3	136		
						5000K	82	2,032	15.8	128		
4ft	4NWS3C3-UNV	080083257522	120-277V	NO	High	3500K	82	4,937	40.6	122	4.6 lbs.	112
						4000K	82	5,272	38.9	136		
						5000K	82	5,010	40.7	123		
					Medium	3500K	82	4,324	33.1	130		
						4000K	82	4,498	31.8	141		
						5000K	82	4,357	33.2	131		
					Low	3500K	82	3,800	28.5	133		
						4000K	82	3,930	27.5	143		
						5000K	82	3,822	28.5	134		
4ft	4NWS3C3MS-UNV	080083257607	120-277V	YES	High	3500K	82	4,851	38.9	125	4.6 lbs.	112
						4000K	82	5,016	37.7	133		
						5000K	82	4,872	38.8	126		
					Medium	3500K	82	4,145	32.7	127		
						4000K	82	4,285	31.7	135		
						5000K	82	4,216	32.5	130		
					Low	3500K	82	3,675	28.7	128		
						4000K	82	3,766	27.8	135		
						5000K	82	3,729	28.5	131		
4ft	4NW35C3R	080083257447	120V	NO	3500L	3000K	82	3,830	35.8	107	4.6 lbs.	112
						3500K	82	4,124	34.0	121		
						4000K	82	3,954	35.5	111		

Accessories

Accessories (Order Separately)

EBPLED7W=User Installed, Remote Mount, 7 Watt LED Emergency Battery Pack
EBPLED14W=User Installed, Remote Mount, 14 Watt LED Emergency Battery Pack
Y-TOGGLE-10 2PK=(2) Y-Toggle Cable Kits at 10FT long

Load Data

	2'	4'
PF	>=0.98	>=0.98
THD%	<20%	<20%
Low Temp Start	-20	-20

Shipping Data

Catalog Base	Wt.	Units per Pallet
2NW	3.1 lbs.	224
4NW	4.6 lbs.	112

Product Specifications

Construction

- Cold rolled steel die form housing with finished ends
- Post painted with high gloss white powder coating
- High-impact plastic end caps

Shielding

- Smooth white lens provides glare-free performance
- Standard LED blended for wide area coverage
- Replaces 2 or 3-lamp fluorescents up to 96W

Installation

- Surface (wall or ceiling) mount via junction box or direct to surface
- Suspension mount capable using standard V-hook or Y-toggle mounting kits

Electrical

- Projected life of L70 at 50,000 hours
- Efficacy up to 143 lm/W
- Phase cut dimming down to 10% (120V)
- 0-10V dimming down to 10% for UNV skus (120-277V)
- User installed, remote mount, 7 & 14 Watt LED emergency battery pack options are available

Compliance

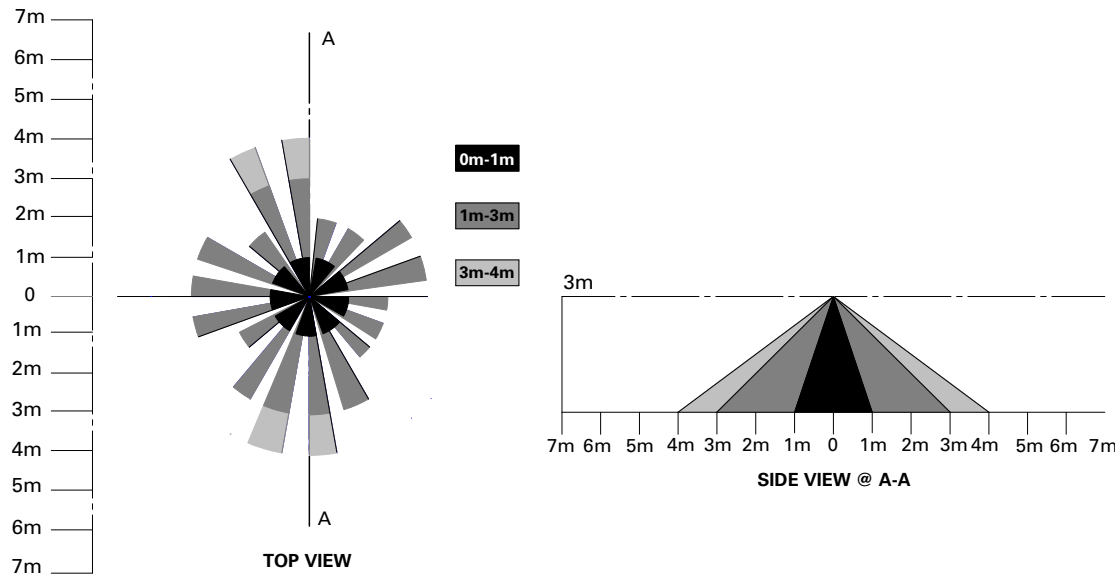
- UL/cUL listed for damp location
- Rated for -4F (-20C) to 104F (40C) ambient operating temperatures
- Meets FCC Part 15 Class B requirements
- RoHS compliant
- LED complies with IESNA LM-79 and LM-80
- ENERGY STAR® Certified luminaire (For 120V sku only) - consult ENERGY STAR® Certified Product List
- DLC 5.1 Standard Qualified

Limited Warranty

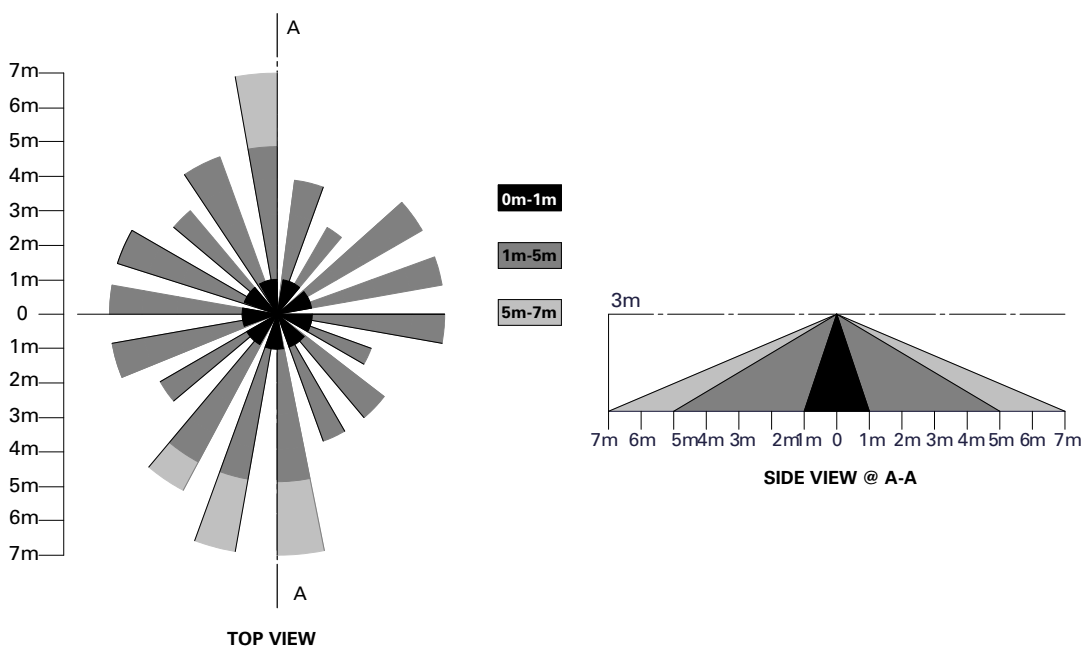
- Five year limited warranty

Sensor Coverage ("MS" SKU Designation)

NWS SENSOR DETECTION 50% COVERAGE



NWS SENSOR DETECTION 100% COVERAGE



Photometric Data

[View IES files](#)

