

| | | | | | |
|-------------|--|-----------|--|------|--|
| Project | | Catalog # | | Type | |
| Prepared by | | Notes | | Date | |



Metalux

UHBS Selectable High Bay

LED Round High Bay with Selectable CCT and Lumen

Typical Applications

Industrial • Commercial • Retail • Manufacturing • Warehouse • Gymnasium ⁽¹⁾
• Multi-purpose • Grocery • High Bay / Low Bay Applications

Note: (1) Rigid Stem mount not recommended for use in gymnasiums.

Interactive Menu

- Energy and Performance Data [page 2](#)
- Accessories [page 2](#)
- Photometric Data [page 3](#)
- Sensor Coverage [page 4](#)
- Product Warranty

Product Certification



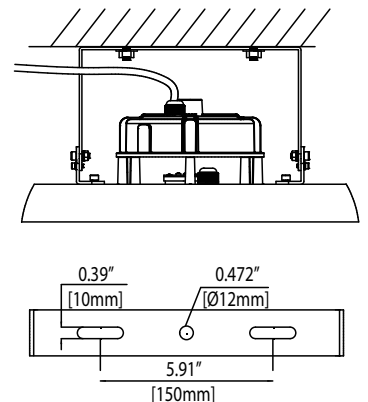
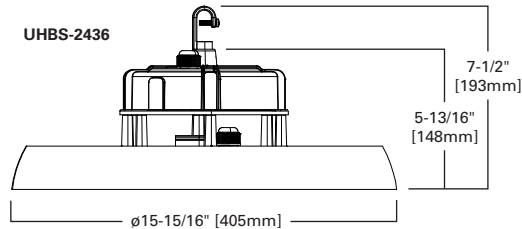
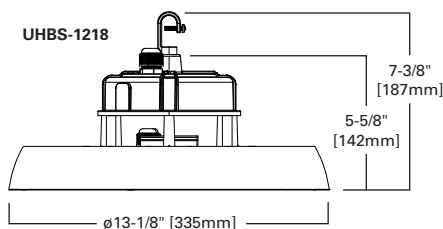
Product Features



Top Product Features

- Selectable Lumen/Power performance packages
- 4000K/5000K Selectable CCT color
- Sensor ready port for quick plug and play install
- Compact, 13" and 15" round die cast aluminum housing
- 120-347 volt operating range
- 0-10V dimming control down to 10%
- IK08 lens with IP65 rated lens and driver enclosure

Dimensional and Mounting Details



Energy and Performance Data

Default CCT/Lumen Setting: 4000K / High Power

| Catalog# | UPC | Voltage | Lumen Setting | Nominal CCT | CRI | 120V | | | 277V | | | 347V | | |
|-------------------------|--------------|----------|---------------|-------------|-----|----------------|-------|-----------------|----------------|-------|-----------------|----------------|-------|-----------------|
| | | | | | | Nominal Lumens | Watts | Efficacy (lm/W) | Nominal Lumens | Watts | Efficacy (lm/W) | Nominal Lumens | Watts | Efficacy (lm/W) |
| UHBS-1218-MV-L84050-U | 080083256471 | 120-347V | Low | 4000K | 82 | 13134 | 82.0 | 160 | 12966 | 81.3 | 159 | 12896 | 81.3 | 159 |
| | | | | 5000K | 82 | 13264 | 82.4 | 161 | 13053 | 81.6 | 160 | 13037 | 81.7 | 160 |
| | | | Medium | 4000K | 82 | 16168 | 105.1 | 154 | 15952 | 102.1 | 156 | 15886 | 101.9 | 156 |
| | | | | 5000K | 82 | 16265 | 105.5 | 154 | 16045 | 102.6 | 156 | 15976 | 102.4 | 156 |
| | | | High | 4000K | 82 | 18353 | 120.1 | 153 | 18567 | 122.0 | 152 | 18550 | 122.0 | 152 |
| | | | | 5000K | 82 | 18402 | 120.7 | 152 | 18728 | 123.0 | 152 | 18669 | 122.6 | 152 |
| UHBS-2436-MV-L84050-U | 080083256488 | 120-347V | Low | 4000K | 82 | 24825 | 152.8 | 162 | 24765 | 149.8 | 165 | 24617 | 149.4 | 165 |
| | | | | 5000K | 82 | 24998 | 153.8 | 163 | 24867 | 150.3 | 165 | 24827 | 150.4 | 165 |
| | | | Medium | 4000K | 82 | 31056 | 202.3 | 154 | 31275 | 196.2 | 159 | 30998 | 194.2 | 160 |
| | | | | 5000K | 82 | 31162 | 201.6 | 155 | 31313 | 195.4 | 160 | 31011 | 195.1 | 159 |
| | | | High | 4000K | 82 | 36952 | 244.2 | 151 | 36216 | 235.0 | 154 | 36117 | 234.5 | 154 |
| | | | | 5000K | 82 | 37167 | 245.5 | 151 | 36462 | 236.6 | 154 | 36189 | 235.5 | 154 |
| UHBS-1218-MV-L84050-BLK | 080083272341 | 120-347V | Low | 4000K | 82 | 13031 | 84.2 | 155 | 12965 | 84.2 | 154 | 12905 | 84.2 | 153 |
| | | | | 5000K | 82 | 13064 | 84.0 | 156 | 12997 | 84.0 | 155 | 12937 | 84.0 | 154 |
| | | | Medium | 4000K | 82 | 15487 | 103.3 | 150 | 15408 | 103.3 | 149 | 15337 | 103.3 | 148 |
| | | | | 5000K | 82 | 15512 | 103.1 | 150 | 15433 | 103.1 | 150 | 15362 | 103.1 | 149 |
| | | | High | 4000K | 82 | 17914 | 123.9 | 145 | 17823 | 123.9 | 144 | 17740 | 123.9 | 143 |
| | | | | 5000K | 82 | 17938 | 123.4 | 145 | 17847 | 123.4 | 145 | 17764 | 123.4 | 144 |
| UHBS-2436-MV-L84050-BLK | 080083272365 | 120-347V | Low | 4000K | 82 | 23607 | 147.1 | 160 | 23487 | 147.1 | 160 | 23378 | 147.1 | 159 |
| | | | | 5000K | 82 | 23468 | 146.9 | 160 | 23348 | 146.9 | 159 | 23240 | 146.9 | 158 |
| | | | Medium | 4000K | 82 | 29800 | 194.8 | 153 | 29648 | 194.8 | 152 | 29511 | 194.8 | 152 |
| | | | | 5000K | 82 | 29619 | 194.5 | 152 | 29468 | 194.5 | 152 | 29332 | 194.5 | 151 |
| | | | High | 4000K | 82 | 35098 | 239.8 | 146 | 34919 | 239.8 | 146 | 34758 | 239.8 | 145 |
| | | | | 5000K | 82 | 34931 | 239.5 | 146 | 34753 | 239.5 | 145 | 34592 | 239.5 | 144 |

Notes: Color correction factor for black fixture is 0.96

Lumen Maintenance

| Ambient Temperature | TM-21 Lumen Maintenance (60,000 hours) | Theoretical L70 (hours) |
|---------------------|--|-------------------------|
| 25°C | > 91% | > 218,000 |

Ambient Ratings

| Lumen Package | Ambient Rating |
|---------------|----------------|
| UHBS-1218 | 50C |
| UHBS-2436 | 50C |

Energy Data

| Input Watts: |
|--------------------------|
| UHBS-1218 = 80/100/120W |
| UHBS-2436 = 150/200/240W |

Shipping Data

| Catalog No. | Wt. |
|-------------|-----------|
| UHBS-1218 | 8 lbs. |
| UHBS-2436 | 11.3 lbs. |

Operating Temp. -40 to 50C

Product Specifications

Construction

- Diecast aluminum housing and heatsink for durability
- Polycarbonate lens seals LED for IP65 rating
- Lens is IK08 rated

Electrical

- Long-life LED system with electronic driver for optimal performance
- Selectable power switch for 3 levels of lumen output per model
- Selectable color switch provides 4000 or 5000K CCT at CRI >82
- Multi-volt 120 through 347V operation
- 0-10V dimming, 10% standard
- 7ft (86") long power and dimming cord provided for easier installation
- Integral 4K surge protector
- Operating temperature of -40°C to 50°C
- Default CCT/Lumen setting is 4000K and High Power

Optics

- Medium distribution standard

Mounting

- Mounting hook included
- Designed for suspension mounting with 1/2" threaded hub
- Available ADAPTHUB accessory for 3/4" NPS threaded stem

Compliance

- cULus listed for wet location
- NEMA 4X, IP65 rated
- IESNA LM-79 and LM-80 standards compliant
- Qualifies as State of California Title 24 non-residential high efficiency luminaire
- FCC part 15 class A compliant
- DesignLights Consortium® Qualified and classified for DLC Premium, refer to www.designlights.org for details.
- Only the UHBS with Black Finish is NSF rated; Splash, Non-Food Zone - Typical rating for lighting equipment not subjected to direct food contact.

Sensor

- Plug and play low-voltage sensor accessory available
- Sensor installs directly to integral fixture port
- PIR motion sensor with 0-10V control
- Wet location and IP65 rated
- Up to 50ft mounting height
- Sensor remote control must be ordered separately

Emergency Pack Option

- 120-347V universal input remote emergency driver accessory available
- Field installed EM driver wires directly to fixture
- 90-minute batteries provide constant power to the LED system
- Test switch/indicator button can be tested safely from the ground using remote control
- EM remote control included with accessory
- Accessory comes with grommets and mounting hardware, see EM driver spec sheet.

Finish

- White or black polyester powder coat finish painted after fabrication

Warranty

- Five year limited warranty

Accessories List

| Catalog Number | Description | Unit Carton UPC |
|-------------------------------|--|-----------------|
| UHBS-SMB | UHBS Surf Mnt Brkt for 13"/15" Model | 080083273263 |
| UHBS-SMB-BLK | UHBS Surf Mnt Black Finish | coming soon |
| UHBS-CLR13 | UHBS 13 Clear PC Reflector | 080083273300 |
| UHBS-CLR15 | UHBS 15 Clear PC Reflector | 080083273317 |
| UHBS-ALR13 | UHBS 13 Aluminum Reflector | 080083273324 |
| UHBS-ALR15 | UHBS 15 Aluminum Reflector | 080083273331 |
| UHBS-WG13 ⁽²⁾ | UHBS 13 dia. Wire Guard | 080083273348 |
| UHBS-WG15 ⁽²⁾ | UHBS 15 dia. Wire Guard | 080083273355 |
| UHBS-CDL13 ⁽³⁾ | UHBS 13 Clear Lens Cover & Clamp | 080083273362 |
| UHBS-CDL15 ⁽³⁾ | UHBS 15 Clear Lens Cover & Clamp | 080083273379 |
| EBP-RM40R ⁽⁶⁾ | 40W Emergency Driver, Remote Mount 120-347V White w/ remote included | 080083259496 |
| UHBS-SENSOR PK ⁽⁶⁾ | PIR Sensor 360 Lens 60FT MH Kit | 080083257898 |
| UHBS SENSOR REMOTE | UHBS Sensor Remote Control | 080083260249 |
| UHBS-ADAPHUB ⁽⁴⁾ | UHBS Adapter HUB-3/4NPS | 080083259830 |
| UHBS-ADAPHUB-BLK | UHBS Adapter Hub Black Finish | coming soon |
| UHBS-SC7 ⁽⁵⁾ | UHBS Safety Cable 7FT long with Clip | 080083259854 |
| UHBS RING | UHBS Ring Mount Accessory | 080083260225 |

Notes: (2) Installs directly to fixture only. (3) Fits onto clear PC reflector only. Do not attach directly to the fixture. (4) Rigid mount not for use in gymnasiums. (5) The Safety Cable accessory shall be utilized only as a secondary safety and not the primary means of mounting. (6) To meet state and local codes, EBP cannot be used with UHBS with sensor or with UHBS sensor accessory. (7) Also available in black finish.



ALR
Aluminum Reflector



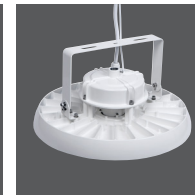
CLR
Clear Reflector



CDL
Clear Lens Cover



WG
Wireguard



SMB ⁽⁷⁾
Surface Mount Bracket



ADAPHUB ⁽⁷⁾
3/4 NPS Hub adapter



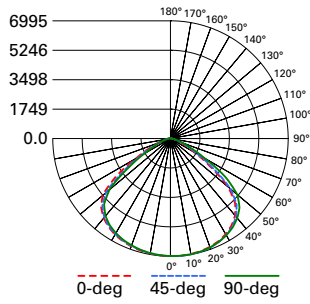
SENSOR ⁽⁶⁾
Plug in sensor



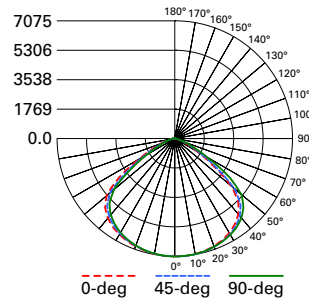
EBP-RM40R ⁽⁶⁾
Field installed Remote EM

Photometric Data

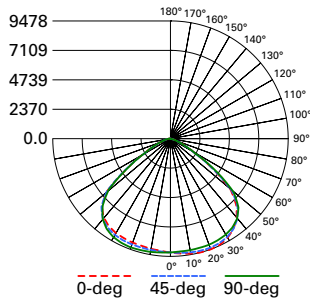
[View IES files](#)



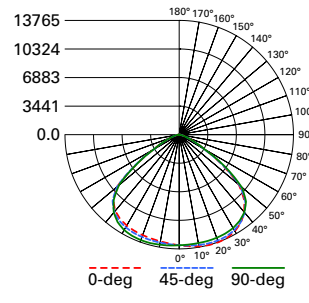
UHBS-18-MV-L840-U-277
 Electronic Driver
 Round Select LED 4000K
 Spacing criterion: (H) 1.4 x mounting height, (L) 1.4 x mounting height
 Lumens: 18567
 Input Watts: 122W
 Efficacy: 152.2 LPW
 Test Report: UHBS-18-MV-L840-U-277.IES



UHBS-18-MV-L850-U-277
 Electronic Driver
 Round Select LED 5000K
 Spacing criterion: (H) 1.4 x mounting height, (L) 1.4 x mounting height
 Lumens: 18728
 Input Watts: 123W
 Efficacy: 152.3 LPW
 Test Report: UHBS-18-MV-L850-U-277.IES

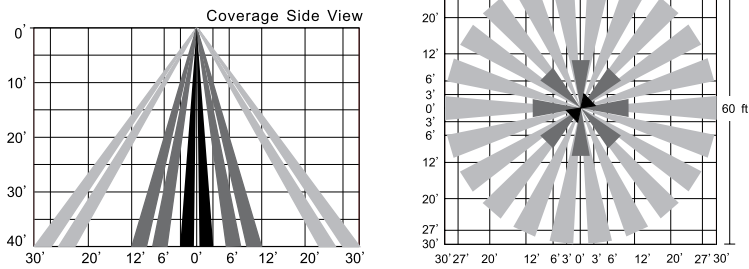


UHBS-24-MV-L840-U-277
 Electronic Driver
 Round Select LED 4000K
 Spacing criterion: (H) 1.45 x mounting height, (L) 1.46 x mounting height
 Lumens: 24765
 Input Watts: 149.8W
 Efficacy: 165.3 LPW
 Test Report: UHBS-24-MV-L840-U-277.IES



UHBS-36-MV-L840-U-277
 Electronic Driver
 Round Select LED 4000K
 Spacing criterion: (H) 1.45 x mounting height, (L) 1.46 x mounting height
 Lumens: 36216
 Input Watts: 235W
 Efficacy: 154.1 LPW
 Test Report: UHBS-36-MV-L840-U-277.IES

Sensor Coverage



Sensor Specifications

| | |
|------------------------|--|
| Power supply | 12V-24V DC, >30mA |
| Dim control output | 0-10V, max. 25mA sinking current |
| Remote range | 50ft. (15m) indoor, no backlight |
| Dim control output | 0-10V |
| Detection radius | 20% / 50% / 75% / 100% (1-8m) |
| Mounting height | Up to 50ft (15.25 m) |
| Time setting | 10s / 1 min / 5 min / 10 min / 15 min / 20 min / 30 min / 60 min |
| Light-control | 24H / 10 LUX / 30 LUX / 50 LUX |
| Sensor Operating Temp. | -40°F ~+ 158°F (-40°C ~+ 70°C) |
| IP rating | IP65 |

Notes: Warm up time 40 sec after sensor first receives input power. Fixture will stay on 40 seconds then work move to default mode.

Any setting changed by sensor remote control (order remote separately), will led lights on remote to turn on and off to confirm. See sensor instruction sheet on UHBS product page found on www.cooperlighting.com

Sensor Modes

| | Brightness | Sensitivity | Hold Time | Daylight Sensor | Stand-by Dim | Stand-by Period |
|-------------------------|------------|-------------|-----------|-----------------|--------------|-----------------|
| MODE 1 (Default) | 100% | 75% | 5 min | Disabled | 30% | 30 min |
| MODE 2 | 100% | 75% | 1 min | Disabled | 30% | ∞ |
| MODE 3 | 100% | 75% | 5 min | 30LUX | 30% | 30 min |
| MODE 4 | 100% | 75% | 1 min | (30LUX/300LUX) | 30% | ∞ |