

Project		Catalog #		Type	
Prepared by		Notes		Date	



Metalux

OHBL

LED High Bay Efficiency Luminaire
4 ft. Length

Typical Applications

Industrial • Commercial • Manufacturing • Food Processing • Sports / Multi-Purpose

Interactive Menu

- Order Information [page 2](#)
- Photometric Data [page 3](#)
- Connected Systems [page 5](#)
- Product Warranty

Product Certification



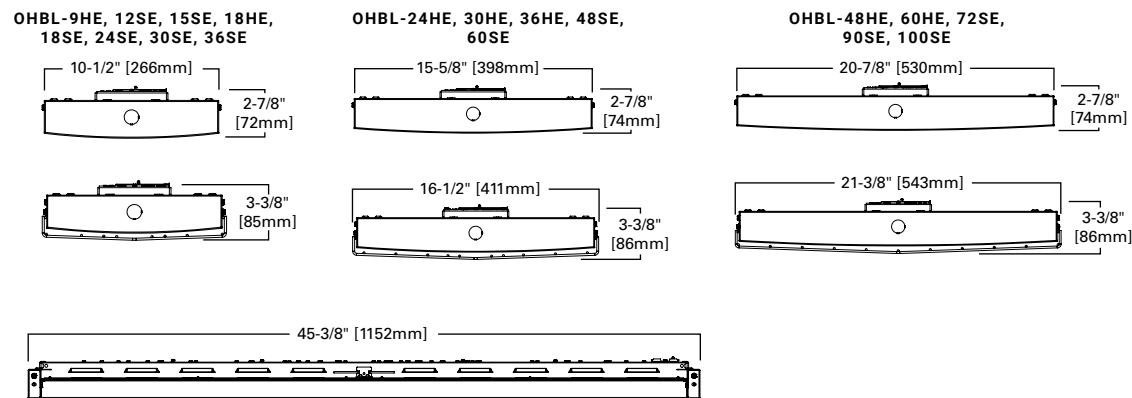
Product Features



Top Product Features

- Precision designed optical performance
- Offered in both standard and high efficacy versions
- High performance efficacy up to 205 lm/W
- Efficient 1-for-1 replacement of linear fluorescent & HID fixtures
- Lumen packages – 9K, 12K, 15K, 18K, 24K, 30K, 36K, 48K, 60K, 72K, 90K, 100K
- Narrow, medium, and wide distribution
- Options to meet Buy American and other domestic preference requirements

Dimensional and Mounting Details



[additional product diagrams](#)

Order Information

SAMPLE ORDER NUMBER: **OHBL-24SE-MFL-UNV-L840-CD-U** Includes V Hangers for rapid installation

Domestic Preferences	Series	Lumen Package	Efficacy	Distribution/Shielding	Voltage	CCT/CRI
Domestic Preferences ⁽¹⁾	Series ^{(1),(2)}	Lumen Package	Efficacy	Distribution/Shielding	Voltage ^{(6),(7),(8)}	CCT/CRI
[Blank] =Standard BAA =Buy American Act TAA =Trade Agreements Act	OHBL =Optimized High Bay, 4 ft.	9=9,000 Lumens 12=12,000 Lumens 15=15,000 Lumens 18=18,000 Lumens 24=24,000 Lumens 30=30,000 Lumens 36=36,000 Lumens 48=48,000 Lumens 60=60,000 Lumens ⁽³⁾ 72=72,000 lumens ⁽³⁾ 90=90,000 lumens ⁽³⁾ 100=100,000 lumens ⁽³⁾	SE =Standard Efficacy ⁽⁴⁾ HE =High Efficacy ⁽⁵⁾	N =Narrow MFL =Medium Frosted MCL =Medium Clear W =Wide	120V =120 Volt 277V =277 Volt 347V =347 Volt 480V =480 Volt UNV =Universal Voltage 120-277 UNC =Universal Voltage 347/480	L730 =70CRI / 3000K L735 =70CRI / 3500K L740 =70CRI / 4000K L750 =70CRI / 5000K L830 =80CRI / 3000K L835 =80CRI / 3500K L840 =80CRI / 4000K L850 =80CRI / 5000K L930 =90CRI / 3000K L935 =90CRI / 3500K L940 =90CRI / 4000K L950 =90CRI / 5000K
Notes (1) Only product configurations with these designated prefixes are built to be compliant with the Buy American Act of 1933 (BAA) or Trade Agreements Act of 1979 (TAA), respectively. Please refer to DOMESTIC PREFERENCES website for more information. Components shipped separately may be separately analyzed under domestic preference requirements.	Notes (2) DesignLights Consortium® Qualified and classified for both DLC Standard and DLC Premium, refer to www.designlights.org for details.	Notes (3) 60HE, 72SE, 90SE, and 100SE configuration not available with the combination of sensors or EBP plus 347V, 480V, or UNC.	Notes (4) SE not available in 9 lumen packages. (5) HE not available in 12K, 15K, 72K, 90K, and 100K.		Notes (6) Voltage must be specified when ordered with plugs, GTR or emergency drivers. (7) When ordering sensor or EBP/TD option, specify as UNV (for 120V or 277V), 347V or 480V. (8) Ambient temperatures limited to 40C when using emergency, sensors, or SLTD in conjunction with 347V or 480V.	

Options	Driver Type	Wiring	Options	Packaging
Options	Driver Type	Wiring	Options	Packaging
EBP/TD * EL20W =20-watt 120V-277V emergency battery pack installed ^{(9),(10),(12),(13),(14)} EL20-W-REM =20-watt 120V-277V emergency battery pack remote mounted ^{(9),(10),(13),(14)} GTR2 =Bodine Generator Transfer Device ⁽¹¹⁾ ETRD =Emergency Transfer Relay with dimming control ^{(11),(12)}	CD =0-10V Dimming Driver 5LTD =Fifth Light DALI ⁽¹⁵⁾	C3 (1)=1 Circuit, 3' Cord with no Plug C3 (2)=2 Circuits, 3' Cord with no Plug C6 (1)=1 Circuit, 6' Cord with no Plug C6 (2)=2 Circuits, 6' Cord with no Plug C10 (1)=1 Circuit, 10' Cord with no Plug C10 (2)=2 Circuits, 10' Cord with no Plug PC3/120 =(NEMA L5-15P) 3' Cord with NEMA Plug PC3/277 =(NEMA L7-15P) 3' Cord with NEMA Plug PC3/347 =(NEMA L24-20P) 3' Cord with NEMA Plug PC3/480 =(NEMA L8-20P) 3' Cord with NEMA Plug PC6/120 =(NEMA L5-15P) 6' Cord with NEMA Plug PC6/277 =(NEMA L7-15P) 6' Cord with NEMA Plug PC6/347 =(NEMA L24-20P) 6' Cord with NEMA Plug PC6/480 =(NEMA L8-20P) 6' Cord with NEMA Plug	MP =Modular Plug ⁽¹⁷⁾ PAF =Painted After Fabrication HA =High Ambient ⁽¹⁸⁾ Motion Sensors MS =360° or 180° Motion Sensor Installed, (specify voltage) ⁽¹⁶⁾ SVPD3 =Integrated Occupancy and Daylight Dimming Sensor, 1200 sq. ft. coverage ⁽¹⁶⁾ OEPF010VMV =Occupancy Sensor with Integrated Photocell ⁽¹⁶⁾ FSP-211/L7-U =PIR Occupancy Sensor with integral 0-10V Dimming ^{(16),(19)} FSP-321/L7-U =PIR Occupancy Sensor with Integral 0-10V dimming ^{(16),(20)} LWR =Enlighted Wireless Sensor system ⁽¹⁶⁾ ZW-SWPD3 =Integrated Wavelinx Wireless Sensor, 1200 sq ft. coverage ⁽¹⁶⁾ ZLD1Z =Leviton 120-277V PIR Occupancy Sensor with integral 0-10V Dimming ^{(16),(21)} WLS4 =Wavelinx Lite Wireless Integrated Sensor, 15°-40° Mounting Height ⁽¹⁶⁾ ZLDUZ =Leviton 347-480V PIR Occupancy Sensor with integral 0-10V Dimming ^{(16),(20),(21)}	U =Unit Pack PALC =Job Pack, in carton
Notes * Emergency and transfer devices are UL924 listed. (9) For approximate delivered lumens multiply the lumens per watt of the desired fixture by the wattage of the emergency battery pack. (10) EM options available in 0°C - 45°C ambient. (11) Used to transfer fixture to secondary power during outage. Must be used in conjunction with UL 1008 device (provided by others). These options require 2 relays on fixtures with dimming drivers. ETRD option only requires one relay when used on a dimming fixture. A maximum of two devices can be used on one product. Must specify 120 or 277V when ordering GTR option. (12) OHB-SPM mounting not available with EL20W or ETRD options. (13) Refer to Ambient Chart for temperature ratings. (14) Ambient temperatures limited to 40C when using emergency, sensors, or SLTD in conjunction with 347V or 480V. (26) GTR2- Not available with 72SE, 90SE, 100SE.	Notes (15) Sensor or UNC not available in conjunction with SLTD driver.		Notes (16) When ordering sensor or EBP/TD option, specify as UNV (for 120V or 277V), 347V or 480V. (17) Requires use of MC or MPC cord accessories, specify voltage for plugs (MP). (18) High Ambient not available with integrated emergency. (19) Available for UNV (for 120V or 277V) only. (20) Available for UNC (for 347V or 480V) only. (21) Configuration of basic and advanced features using the Leviton Smart Sensor App on any Bluetooth-enabled Android or iOS device.	

Accessories

Accessories (order separately) ⁽²⁴⁾
OHBL-WG114 =Wire guard for 9HE, 12SE, 15SE, 18HE, 18SE, 24SE, 30SE, and 36SE OHBL-WG164 =Wire guard for 24HE, 30HE, 36HE, 48SE, and 60SE OHBL-WG224 =Wire guard for 48HE, 60HE, 72SE, 90SE and 100SE Y-TOGGLE --- 2PK =(2) Y-Toggle Cable Kits (Specify 10 or 30 for length in feet) FH-1 =Fixture Hook ⁽²³⁾ FL-1 =Fixture Loop ⁽²³⁾ OHB-SPM =Single Point Mounting Hub ⁽²²⁾ MPC3 =3' Modular Power Cord & Plug (Specify Voltage) MPC6 =6' Modular Power Cord & Plug (Specify Voltage) MC3 =3' Modular Power Cord MC6 =6' Modular Power Cord
Notes (22) Single Point Mount not available with integrated emergency. (23) Must be used in conjunction with OHB-SPM accessory for proper installation. (24) Accessories sold separately will be separately analyzed under domestic preference requirements. Consult factory for further information.

Product Specifications

Construction

- Rugged and durable scalable design with rigid, steel center channel
- Mechanically attached end caps provide strength and durability
- Suspension mounting with optional wire hook and chain set or cable; Single monopoint mounting with SPM tong hanger

Electrical

- Long-Life LED system coupled with electrical driver for optimal performance
- LED's available in 3000K, 3500K, 4000K and 5000K with 70 CRI, 80 CRI and 90 CRI options
- Electronic drivers are available for 120-277V, 347V and 480V applications
- 0-10V dimming control (standard)
- Operating temperature of -40°C to 55°C (refer to chart)

Emergency Battery Pack Option

- 20-watt, 120-277V integral emergency battery pack available to meet critical life-safety lighting requirements
- 90-minute batteries provide constant power to the LED system, ensuring code-compliance
- Emergency/generator transfer options available (see ordering information for details)

Optics

- Precision designed optics deliver even illumination
- Offered in narrow, medium and wide distributions

Shielding

- Standard lensing provides additional LED protection and optical control
- Optional wire guards available for more complex environments

Controls

- Wavelinx Lite Wireless sensor suitable for High bay applications up to 40ft (45ft major motion). Dual purpose, out of the box functionality with Occupied to Full, Unoccupied to 10%, and daylighting disabled.

Finish

- White enamel finish preceded by a multistage cleaning cycle
- Iron phosphate coating with rust inhibitor protects against contaminants and oxidation

Compliance

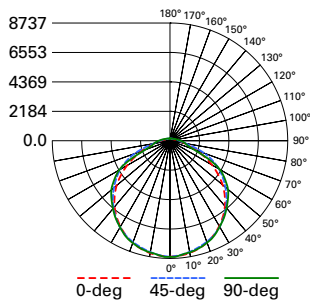
- cULus listed for damp locations
- LED modules comply with IESNA LM-79 and LM-80 standards
- DesignLights Consortium® Qualified and classified for both DLC Standard and DLC Premium (refer to www.designlights.org for details)

Warranty

- Five year warranty standard.

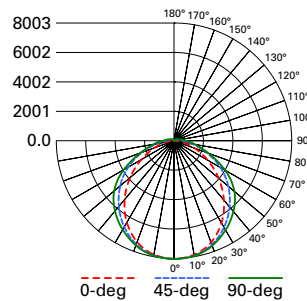
Photometric Data

[View IES files](#)



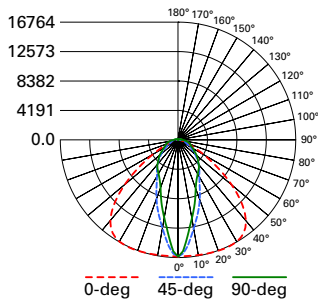
OHBL-24SE-MCL-UNV-L850-CD-U

Electronic Driver
 Linear LED 5000K
 Spacing criterion: (II) 1.26 x mounting height, (⊥) 1.27 x mounting height
 Lumens: 24644
 Input Watts: 138W
 Efficacy: 179.2 LPW
 Test Report: OHB-24SE-MCL-UNV-L850-CD-U.IES



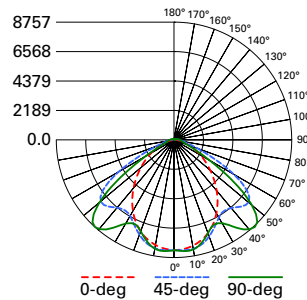
OHBL-24SE-MFL-UNV-L850-CD-U

Electronic Driver
 Linear LED 5000K
 Spacing criterion: (II) 1.19 x mounting height, (⊥) 1.3 x mounting height
 Lumens: 24051
 Input Watts: 138W
 Efficacy: 174.9 LPW
 Test Report: OHB-24SE-MFL-UNV-L850-CD-U.IES



OHBL-24SE-N-UNV-L850-CD-U

Electronic Driver
 Linear LED 5000K
 Spacing criterion: (II) 1.47 x mounting height, (⊥) 0.53 x mounting height
 Lumens: 24442
 Input Watts: 138W
 Efficacy: 177.8 LPW
 Test Report: OHB-24SE-N-UNV-L850-CD-U.IES



OHBL-24SE-W-UNV-L850-CD-U

Electronic Driver
 Linear LED 5000K
 Spacing criterion: (II) 1.14 x mounting height, (⊥) 1.58 x mounting height
 Lumens: 24493
 Input Watts: 138W
 Efficacy: 178.1 LPW
 Test Report: OHB-24SE-W-UNV-L850-CD-U.IES

Energy and Performance Data by Catalog Number

OHBL SE - 5000K 70CRI									
Catalog Number	Lumen Output				Watts	Efficacy (LPW)			
	N	MFL	MCL	W	277V	N	MFL	MCL	W
OHBL-12SE	12962	12755	13069	12989	70	184	181	186	185
OHBL-15SE	16006	15750	16139	16040	87	184	181	185	184
OHBL-18SE	19282	18973	19441	19322	105	183	180	184	183
OHBL-24SE	25493	25085	25704	25546	138	185	182	187	186
OHBL-30SE	31732	31224	31994	31798	174	183	180	184	183
OHBL-36SE	36703	36116	37006	36780	211	174	171	175	174
OHBL-48SE	51808	50979	52236	51916	299	173	170	175	174
OHBL-60SE	63796	62776	64323	63929	359	178	175	179	178
OHBL-72SE	77188	75953	77826	77349	415	186	183	188	186
OHBL-90SE	95171	93649	95957	95370	530	180	177	181	180
OHBL-100SE	103792	102132	104649	104008	592	175	173	177	176

OHBL SE - 5000K 80CRI									
Catalog Number	Lumen Output				Watts	Efficacy (LPW)			
	N	MFL	MCL	W	277V	N	MFL	MCL	W
OHBL-12SE	12428	12229	12530	12454	70	177	174	178	177
OHBL-15SE	15346	15101	15473	15378	87	176	173	178	177
OHBL-18SE	18487	18191	18639	18525	105	175	173	177	176
OHBL-24SE	24442	24051	24644	24493	138	178	175	179	178
OHBL-30SE	30424	29937	30675	30487	174	175	172	177	175
OHBL-36SE	35190	34627	35481	35263	211	167	164	168	167
OHBL-48SE	49110	48324	49515	49212	299	164	162	166	165
OHBL-60SE	60473	59506	60973	60599	359	169	166	170	169
OHBL-72SE	74006	72822	74617	74160	415	178	175	180	179
OHBL-90SE	91248	89788	92001	91438	530	172	169	174	173
OHBL-100SE	99513	97921	100335	99720	592	168	165	169	168

OHBL HE - 5000K 70CRI									
Catalog Number	Lumen Output				Watts	Efficacy (LPW)			
	N	MFL	MCL	W	277V	N	MFL	MCL	W
OHBL-9HE	9522	9369	9600	9541	52	183	180	184	183
OHBL-18HE	19475	19163	19635	19515	103	189	186	191	190
OHBL-24HE	26464	26041	26683	26519	130	203	200	205	204
OHBL-30HE	32596	32074	32865	32664	162	201	198	203	202
OHBL-36HE	38114	37504	38429	38193	212	180	177	181	180
OHBL-48HE	50590	49781	51008	50695	266	190	187	192	191
OHBL-60HE	63303	62290	63826	63435	338	187	184	189	188

OHBL HE - 5000K 80CRI									
Catalog Number	Lumen Output				Watts	Efficacy (LPW)			
	N	MFL	MCL	W	277V	N	MFL	MCL	W
OHBL-9HE	9129	8983	9204	9148	52	175	172	177	176
OHBL-18HE	18672	18373	18826	18711	103	182	179	183	182
OHBL-24HE	25373	24967	25582	25426	130	195	192	197	195
OHBL-30HE	31252	30752	31510	31317	162	193	190	194.6	193
OHBL-36HE	36129	35551	36427	36204	212	170	168	172	171
OHBL-48HE	47955	47188	48351	48055	266	181	178	182	181
OHBL-60HE	60006	59046	60502	60131	338	177	175	179	178

Energy and Performance Data by Catalog Number

Ambient Ratings

Lumen Package	Standard	(HA) High Ambient	EM
OHBL-9HE	65°C	-	45°C
OHBL-12SE	55°C	-	45°C
OHBL-15SE	45°C	55°C	45°C
OHBL-18SE	45°C	55°C	45°C
OHBL-18HE	55°C	-	45°C
OHBL-24SE	55°C	-	45°C
OHBL-24HE	55°C	-	45°C
OHBL-30SE	50°C	-	45°C
OHBL-30HE	55°C	-	45°C
OHBL-36SE	50°C	-	45°C
OHBL-36HE	55°C	-	45°C
OHBL-48SE	55°C	-	45°C
OHBL-48HE	55°C	-	45°C
OHBL-60SE	50°C	-	45°C
OHBL-60HE	55°C	-	45°C
OHBL-72SE	50C	-	-
OHBL-90SE	45C	-	-
OHBL-100SE	40C	-	-

Energy Data

Input Watts:
9HE (9,000 lumens)=52W
12SE (12,000 lumens)=70W
15SE (15,000 lumens)=87W
18SE (18,000 lumens)=105W
18HE (18,000 lumens)=103W
24SE (24,000 lumens)=138W
24HE (24,000 lumens)=130W
30SE (30,000 lumens)=174W
30HE (30,000 lumens)=162W
36SE (36,000 lumens)=227W
36HE (36,000 lumens)=212W
48SE (48,000 lumens)=299W
48HE (48,000 lumens)=266W
60SE (60,000 lumens)=359W
60HE (60,000 lumens)=338W
72SE (72,000 lumens)=415W
90SE (90,000 lumens)=530W
100SE (100,000 lumens)=592W

Shipping Data

Catalog No.	Wt.
OHBL-9HE	13 lbs.
OHBL-12SE	13 lbs.
OHBL-15SE	13 lbs.
OHBL-18SE	13 lbs.
OHBL-18HE	13 lbs.
OHBL-24SE	13 lbs.
OHBL-24HE	20 lbs.
OHBL-30SE	16 lbs.
OHBL-30HE	20 lbs.
OHBL-36SE	20 lbs.
OHBL-36HE	20 lbs.
OHBL-48SE	20 lbs.
OHBL-48HE	20 lbs.
OHBL-60SE	20 lbs.
OHBL-60HE	20 lbs.
OHBL-72SE	28 lbs.
OHBL-90SE	28 lbs.
OHBL-100SE	28 lbs.

Modular Power Supply Option

Modular Power Supply option is available for use with all F-Bay products. The modular power supply allows external fixture access for safe and easy servicing. There is no need to remove lamps or reflectors to disconnect fixture power with Modular Power Supply. Access to the individual fixture's power supply allows servicing without turning off all the fixtures, disrupting occupants. F-Bay Modular Power Supply is a time saver in installation – **simply plug & power.**



1. Modular Power Supply Receptacle supplied mounted into fixture Access Plate.
2. Modular Power Cord & Plugs in 120, 277, 347, & 480V configurations for easy plug & power into existing supply.

No internal fixture access required for installation or disconnecting power.

Lumen Maintenance

Ambient Temperature	TM-21 Lumen Maintenance (60,000 hours)	Theoretical L70 (Hours)
25°C	> 93%	> 369,000

Code Compliance

- UL/cUL Certified for Make/Break under load (UL2549)
- Meets NEC requirements for ballast disconnect (NEC 410.73G)
- Receptacle complete with insulating/dust cap

Control Systems

- WaveLinx Wireless
- WaveLinx Wired
- WaveLinx Lite



Connected Systems
[CLICK HERE](#)

Systems comparison chart

Cooper Lighting Solutions provides many lighting system solutions designed to satisfy code requirements and meet the unique needs of any project.



Luminaire with standalone sensor



Standalone Spaces WaveLinx Lite



Networked Spaces WaveLinx Pro



Enterprise Core

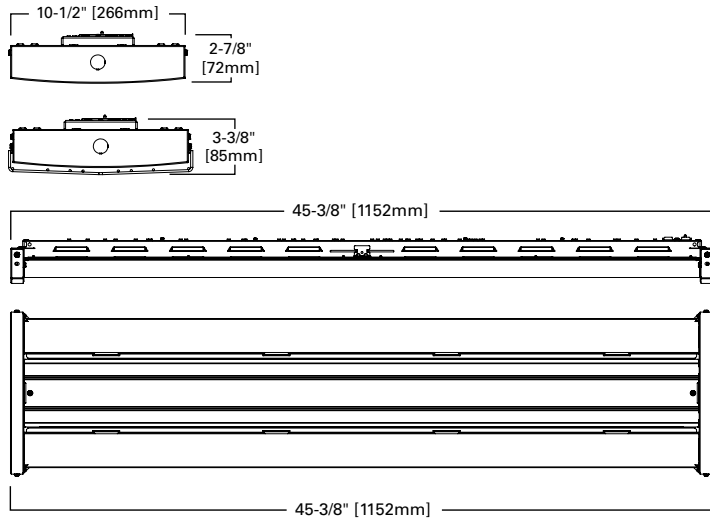
Occupancy	Yes	Yes	Yes	Yes
Daylighting	Yes	Yes	Yes	Yes
Wallstations	-	Yes	Yes	Yes
Gateways	-	-	1 WAC	300 WACs
Devices (MAX)	-	50 per Area (1400 per site)	200 per WAC2	32,500 per Core Enterprise
Software	-	WaveLinx LITE Mobile App	WaveLinx PRO Mobile App	Trellix Core
Areas	-	28 per Site	50 per WAC2	up to 3,000
Zones	-	16 per Area	16 per Area	up to 9,000
Scheduling	-	-	Local	Global
VividTune™	-	-	Yes	Yes
Plug-Load Control	-	-	Yes	Yes
Low-Voltage Power	-	-	Yes	Yes
Integration	-	-	-	BACnet, API
Dashboards	-	-	-	Energy, Occupancy
Configuration	-	Installer	Technician	Technician / IT

SCALABILITY

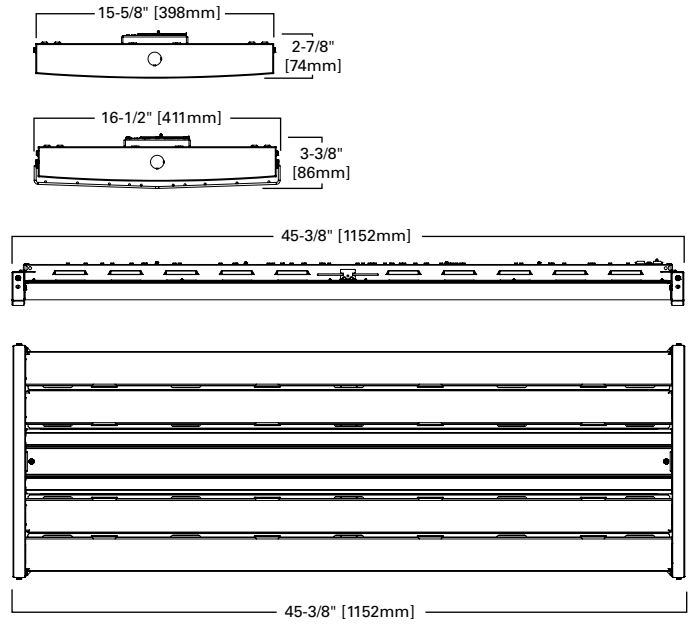


Dimensional and Mounting Details

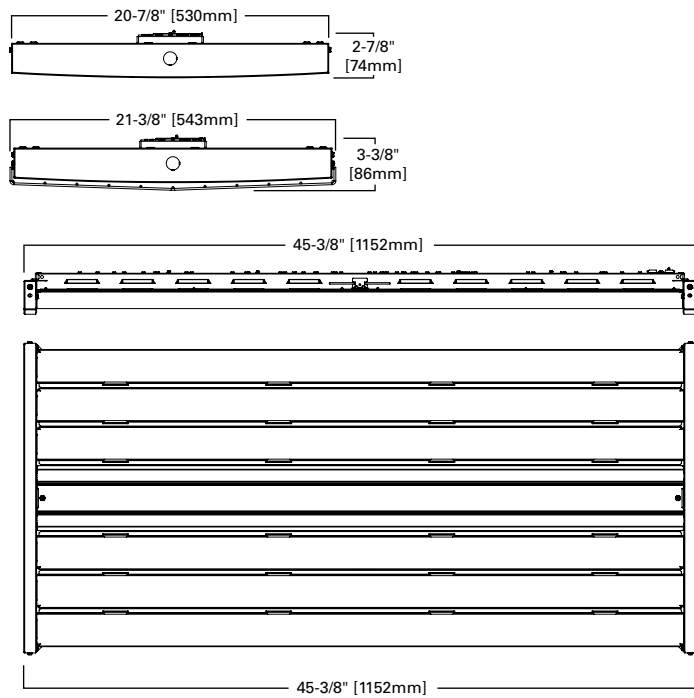
OHBL-9HE, 12SE, 15SE, 18HE, 18SE, 24SE, 30SE, 36SE



OHBL-24HE, 30HE, 36HE, 48SE, 60SE



OHBL-48HE, 60HE, 72SE, 90SE, 100SE



OHBL with EBP

